



The future of fireplaces



WOOD OPEN *fires*



SI 1500

NZ Made and owned, the Warmington open Woodburning Fireplace is a modern alternative to the traditional open fireplace. Its modern design provides a heating appliance which carries heat through internal chambers and sends it flowing back into the room. This fire provides the ambiance of a bygone era with a modern twist. The Warmington is easily installed into new homes or can be fitted into existing fireplaces and comes in differing sizes to suit the room size.

The Warmington Freestanding Fireplace has a distinctive style and is designed to make a statement. There are unlimited possibilities in designing the model into your home. The freestanding model is available in wood and gas in a range of colours to complement your decor.



Free Standing Square



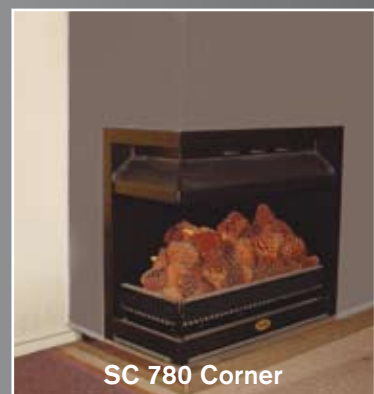
SI 900



SI 780



SI 780 Eclipse



SC 780 Corner



Traditional Gas



Commercial



SI 900

Caitec™ Technology: Warmington's innovative solution to introduce replacement combustion air back into the home via the unique Warmington multi duct heat exchanger. Caitec™ draws air from an external air source to ensure that the open fire has pre-heated combustion air maximizing efficiency while maintaining the home at constant pressure equilibrium, reducing the risk of back drafting.



SI 1500



SI 780T



Traditional Wood

GAS OPEN *fires*

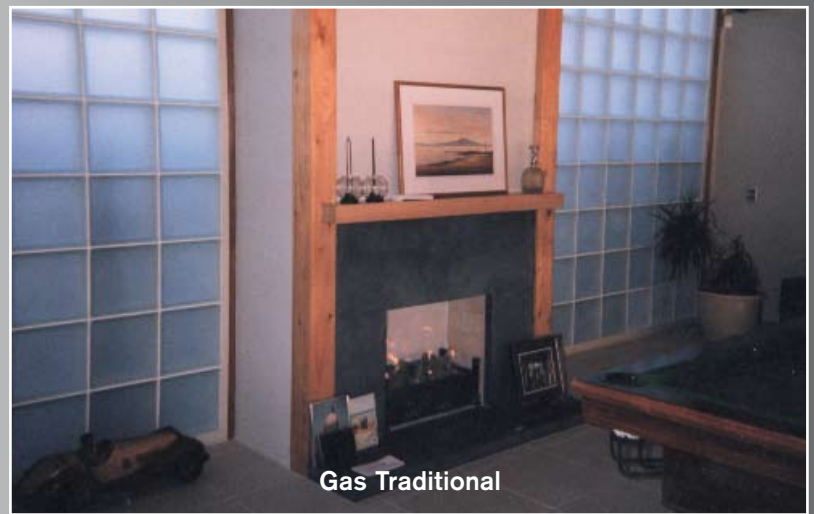


SI 780

The Warmington Gas Open Fireplace is the only gas fire available in New Zealand with a unique built-in Down Draft Diverter system to ensure your safety and a cleaner environment. Each gas burner is available in either LPG or Natural Gas configuration. Designed for ease of installation into new or existing homes, Warmington Gas Fires may be suitable for retro-fitting into existing fireplace. Also available in a double sided unit.



Aspiring 780



Gas Traditional



SG 900



SG 1100

The Warmington Twin Fireplace is an innovative design used in open plan living areas sharing the same air space. It offers a view of the fire from two sides. As a focal point it will enhance any room while providing convected and radiant heat to warm the whole area.



SG 1100 Twin



SI 900 Twin



SI 780 Twin



SG 1100 Twin



Traditional Twin



SI 1100 Twin

OUTDOOR *fires*

The Warmington Nouveau Outdoor Fire is a large outdoor fire available in wood and gas which creates outdoor dining and entertainment on a grand scale. Spending time outdoors has become a Kiwi way of life, with the outdoor entertaining area becoming a focal point. Outdoor activities normally limited to summer evenings can be extended further into the season, with the fire providing warmth and ambience. With the added advantage of cooking facilities you can dine outside in style, even on a chilly night. Also available in the outdoor range is a modern Stainless Steel fire which requires no flue, so is perfect for apartment living.

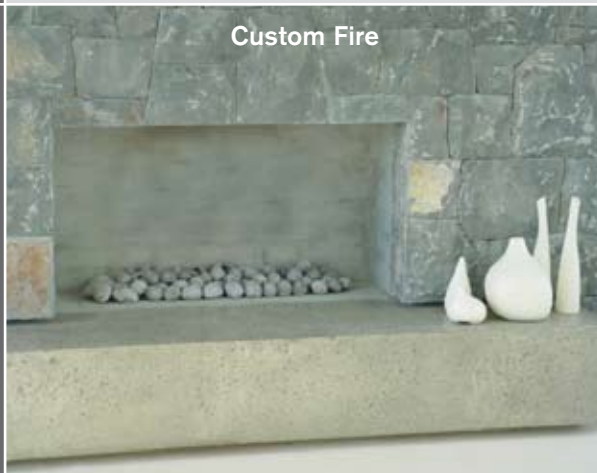


CUSTOM BUILT *fires*

When our clients require a high performance display fireplace, our expert team can custom design and build one to suit their needs.



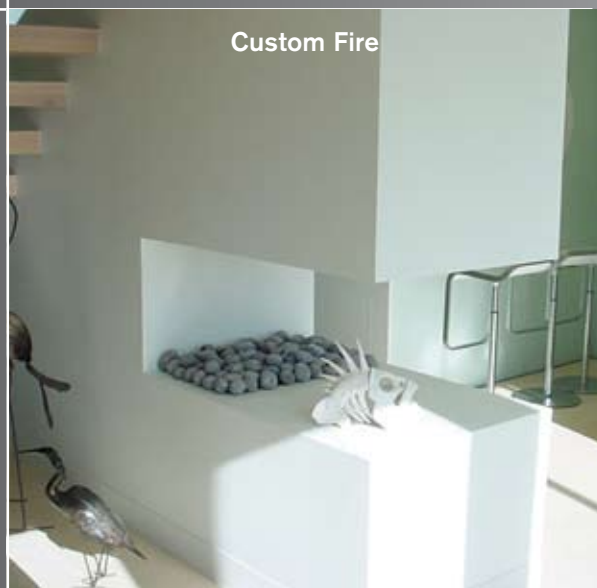
Custom Pit Fire



Custom Fire



Custom Fire



Custom Fire



Custom Fire

STUDIO *fires*

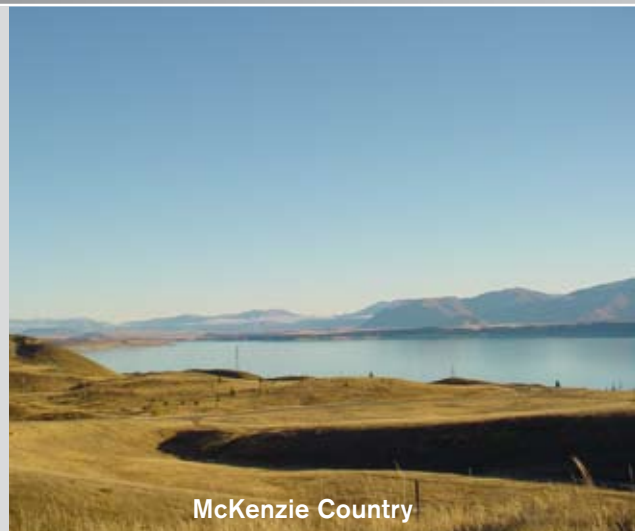
The **STUDIO** is a uniquely handsome stove designed by Peter Haythornthwaite to complement both contemporary and traditional interiors. In spite of its deceptively small size, the stove has a very high heat output. Its simplicity of shape expresses the logic of its design and in-built technology. The STUDIO is mainly a convectional stove - it has an inner and outer skin whereby room air flows between the surfaces, thus becoming hot and efficiently heating the room. Because the outer skin stays relatively cooler this type of stove is safer than a full radiation stove (ie Pot Belly).



SOUTHERN SERIES *fires*



The Southern Series is a robust efficient fire that has been designed with the cold conditions of the central South Island in mind. This fire comes in three sizes, the McKenzie being the largest, the Lindis and the Lewis being the smallest. The benefit of this fire is the top surface which offers a large cooking surface for those hot winter casseroles or coffee permanently on stand by. This fire has a high heat output and will heat a good size area.



McKenzie Country



McKenzie



Lindis



Lewis

ACCESSORIES



Gas Flare Lighter



Terracotta Pots



Wet Backs & Boilers



Clip In Spark Guard

To compliment your fireplace a range of accessories are available. Fire screens in varying shapes and sizes, Firethings (a contemporary fireside tool set), chimney pots and hearths.

Fire Things is a contemporary fireside tool set from product designer Martin Boulton. It includes:

- Fireside Hoop
- Hearth brush
- Hearth pan
- Poker.



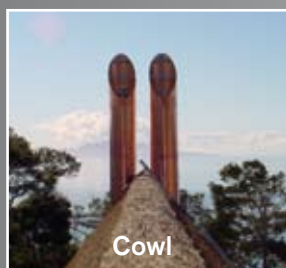
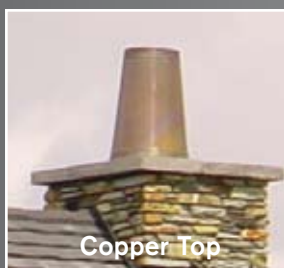
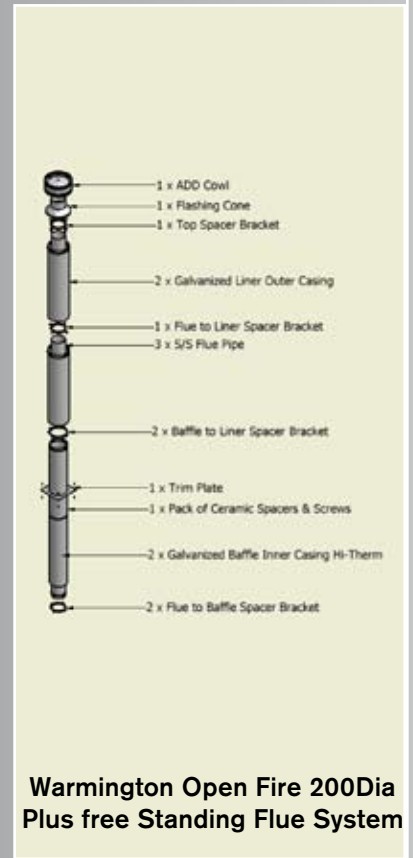
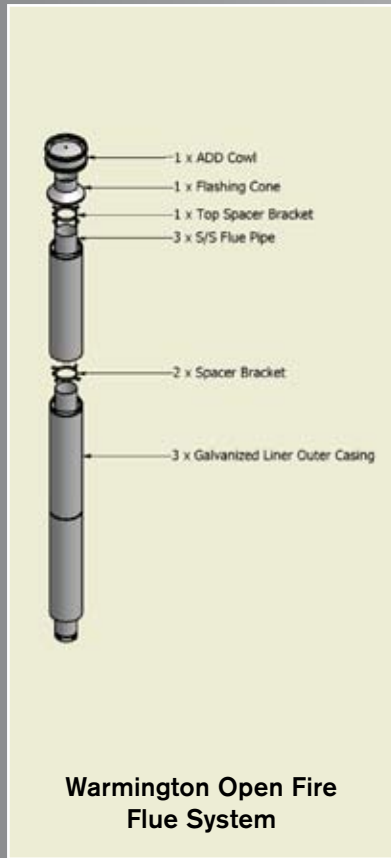
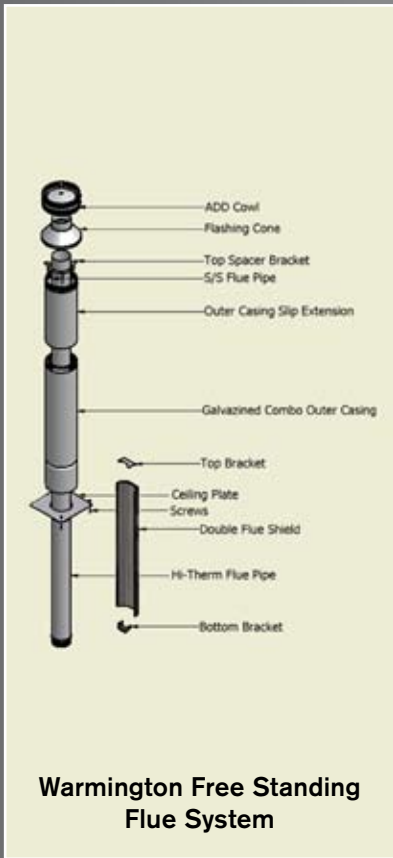
Spark Guard - Free Standing



Stainless Steel Spark Guard

FLUE SYSTEMS

Warmingtons tested and approved flue systems meet ASNZS:2918,2001. These systems are the basic requirement for the tested performance of the Fire. Only the tested and approved Warmington flue system can be used on Warmington Fires.



Chimney Cowls are designed for performance as well as the aesthetic value. The ADD cowl is used in the majority of installations and will cope with a wide range of conditions. The Copper Top is designed to reduce wind noise and enhance the look of the chimney top. Directional bird cowls aid in free flow of exhaust gases with a distinctive look. Other specific cowls are designed for specific applications.

*For information on particular products and specifications
please visit our website*

www.warmington.co.nz

Your local Warmington agent



Manufactured by:
Warmington Industries '94 Ltd
47 Sir William Ave, East Tamaki
PO Box 58652, Greenmount
Auckland, New Zealand.
Ph: (09) 271 0891 Fax: (09) 271 0892
Email: sales@warmington.co.nz