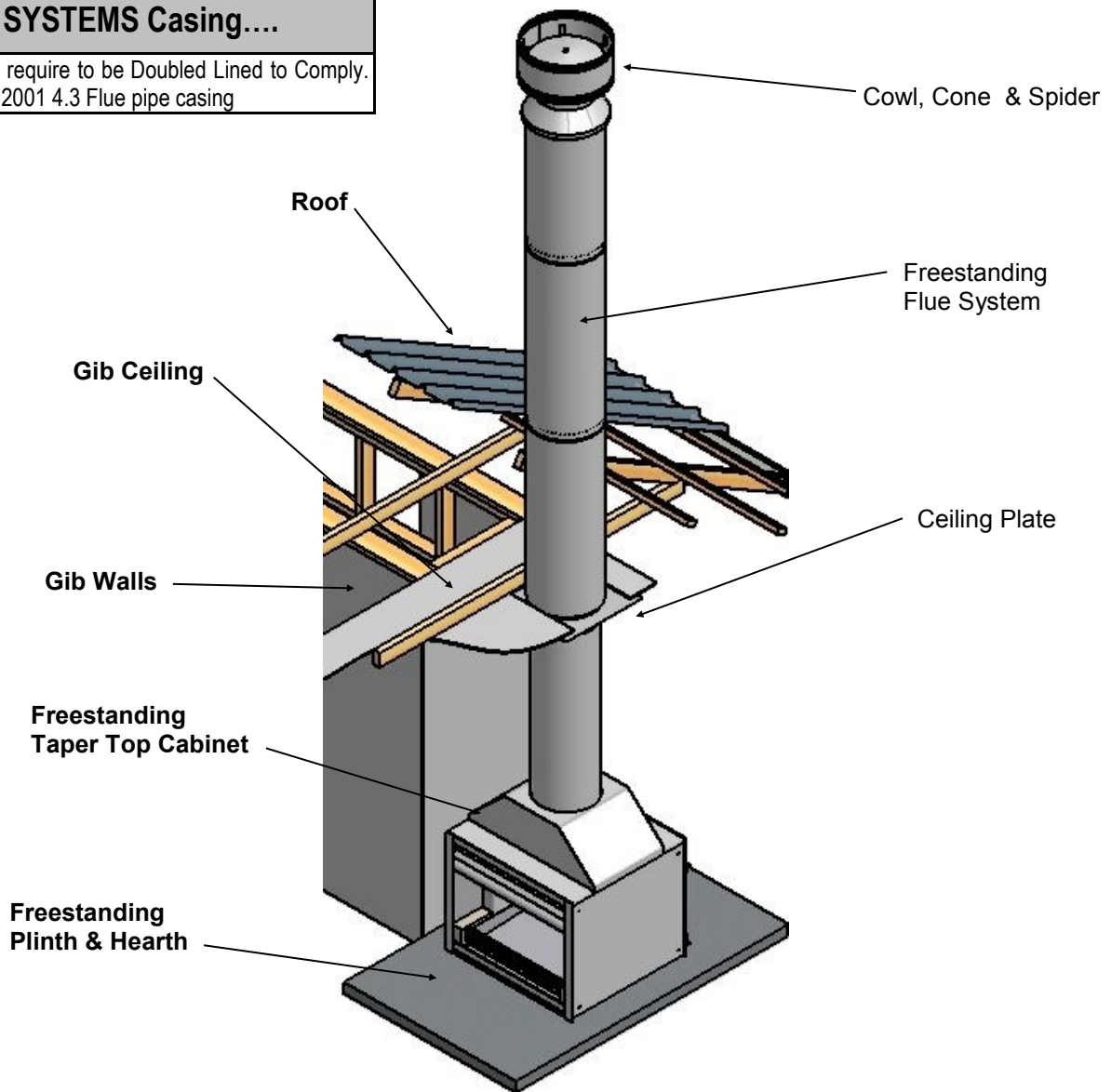


SI 780-780T-900-1100 FST Twin

Freestanding TAPER TOP Twin Open Wood Fire Installation Instructions

Note: FLUE SYSTEMS Casing....

Flue System may require to be Doubled Lined to Comply.
Ref ASNZS:2918:2001 4.3 Flue pipe casing



Visit www.warmington.co.nz for Spec's, DWG's and PDF uploads of Fires

Fire, Flue System and Instructions to Comply with ASNZS 2918:2001

Keep these Instructions for further reference.....Ensure that you have the correct and current Installation details for the Warmington Fire

Installation

The Warmington unit is to be Installed by a Certified Warmington Installer or an Approved NZHHA Installation Technician .
See www.homeheat.co.nz/members for a Certified NZHHA SFAIT Installer in your area .

IMPORTANT

Read all the Instructions carefully before commencing the Installation. Failure to follow these Instructions may result in a Fire Hazard and void the warranty

Due to continued product improvement, Warmington Ind LTD reserves the right to change product specifications without prior notification.

POINTS TO CONSIDER PRIOR TO INSTALLATION

Location of the Fire. Open fires are better located at one end of a room or area, as they project the heat away from their opening.

The Topography of the land .

The slope and position of the land in relation to the home has a bearing on how the wind will interact with the fire and flue system. Care needs to be taken to ensure that the flue termination is in the correct position to maximise performance.

The Prevailing Wind.

Care needs to be taken to ensure that the flue termination is in the correct position as wind and gusts that hits the flue and cowl system may overcome the cowl and draft back down the flue into the home. This can be a combination of down draft and high pressure.

Hearth and Plinth:

The Height of the Hearth off the Floor. The Finishing that is to be used on the Hearth is to be allowed for at the design stage.

Note : Ensure Air Intake at Base of Firebox is not blocked or restricted .

Positioning of the Flue System:

There is a maximum distance that an offset flue can be Installed . Reference to AS/NZS 2918:2001 .

Flue And Fire Clearance:

To be maintained to the Manufactures Instructions &/or Comply with appropriate Standards & Building Codes .

Pressure Differential, Venting & External Air into the Building :

All fires need air to burn and draw correctly, Kitchen Fans, Air Conditioning units, High Wind Zones, Naturally forming Draft spaces, can all have an effect on the pressure difference from inside the building to the outside. A lower pressure in the building may induce a draft down the flue system and back into the building causing the fire to smoke or spill into the building. **Care needs to be taken at the design and installation stage to adequately vent the building, or some mechanical system to ensure that there is always a neutral or positive pressure at the fire-place and a negative pressure at the flue outlet.** This will ensure that the draft in the flue system is always to the outside.

“CAITEC AIR” the limits and requirements. See details in these Spec's

Wind Noise:

You may encounter wind noise in some installations. It is recommended to use an enclosed chase with a chimney pot to help reduce noise. There will always be some noise from the flue systems of all fireplaces.

INSTALLATION ORDER OF OPERATIONS

Prior to Construction and Installation : Important Notes:

Installation to be done to AS/NZS 2918:2001 Standards.

Installation to be done to Manufacture's Specifications.

All Installations require a Council Consent No/Permit.

For special requirements concerning materials (Timber, Mantle and Surrounds) within close proximity of Warmington products, please contact your local Warmington Technical Consultant.

Stage 1: **Frame Construction Procedure by Builder.**

Mark out Flue Centre.

Mark out Firebox Clearance requirements.

Construct Plinth, to required height if necessary. *

Stage 2: **Install Procedure by Certified “Warmington Installer” only or see www.homeheat.co.nz go to members & follow Instructions to get a Certified NZHHA SFAIT Installer .**

Install Fire to Plinth .

Install Adaptor to Firebox .

Install Freestanding Cabinet around Firebox

Install Freestanding Flue System .

Install Flashing & Cowl System.

Stage 3: **Finishing Procedure by Builder.**

Construct Hearth to required Thickness.

* Note: Certified NZHHA Installer can Install Hearth and Plinth also .

Ensure that the Warmington Fire and Flue System is Swept annually or more frequently if required.

To Sweep Flue and Firebox :

Cover Front of Fire with sheets.

Remove Cowl from Top of Chimney.

Sweep from the Top, down the Flue.

Remove all Soot and Ash.

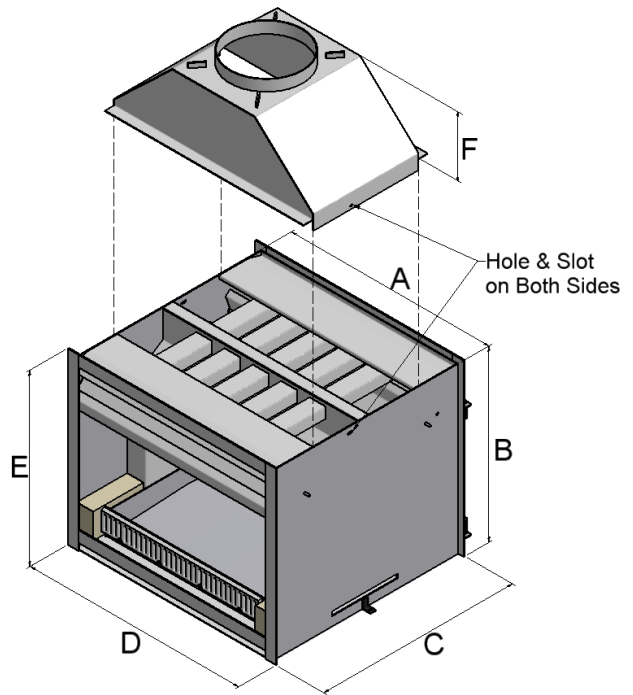
Ensure Cowl and Bird Protection is clean and replaced.

Visually Inspect Fireplace and Flue System .

Due to continued product improvement, Warmington Ind LTD reserves the right to change product specifications without prior notification.

WARMINGTON FIREBOX DIMENSION

| Freestanding Square Twin firebox | | SI 780 FST | SI 780T FST | SI 900 FST | SI 1100 FST |
|----------------------------------|-----------|------------|-------------|------------|-------------|
| Firebox Width | A | 780 | 780 | 900 | 1100 |
| Firebox Height | B | 600 | 680 | 750 | 800 |
| Firebox Depth | C | 700 | 700 | 850 | 900 |
| Flange Width | D | 830 | 830 | 950 | 1150 |
| Flange Height | E | 625 | 705 | 775 | 825 |
| Adaptor Height | F | 205 | 205 | 275 | 275 |
| Cabinet Height | G | 850 | 930 | 1060 | 1110 |
| Cabinet Depth | H | 710 | 710 | 860 | 910 |
| Cabinet Width | I | 830 | 830 | 950 | 1150 |
| Cabinet Front Height | J | 625 | 705 | 775 | 825 |
| Flue | K | 300 | 300 | 325 | 350 |
| Inner Baffle | L | 350 | 350 | 375 | 400 |
| Outer Liner | | 400 | 400 | 425 | 450 |
| Heat Output | kW | | | | |
| Peak* | | 24 | 26 | 32 | 35 |
| Range* | | 15-17 | 17-19 | 18-21 | 19-22 |



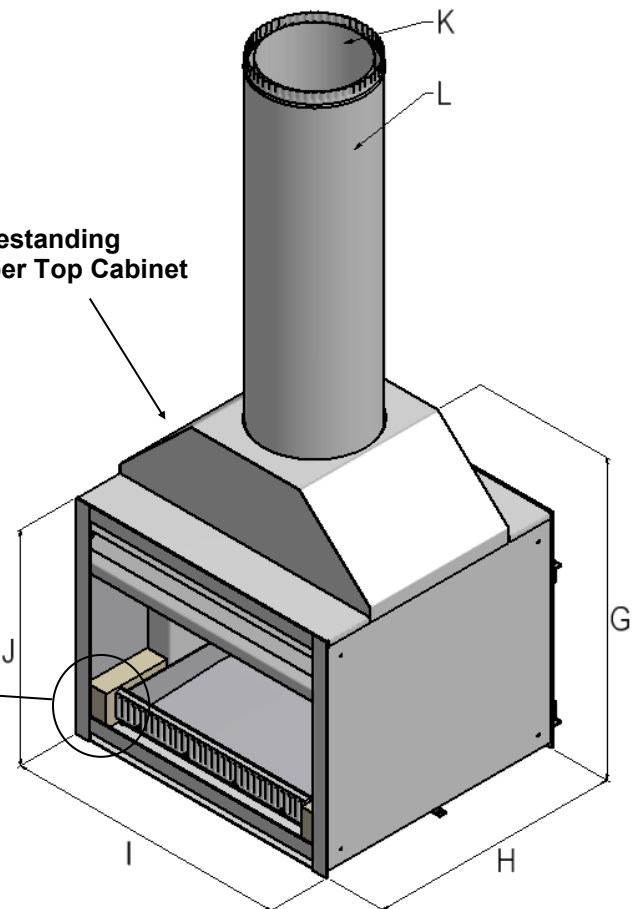
*Estimated unless stated otherwise.

FIREBOX FREESTANDING TAPER TOP CABINET

| | |
|------------------------------|--------------|
| Minimum flue height | |
| flue height | 4800 |
| measured from top of adaptor | B + F + 4800 |

| |
|--|
| Adaptor fitting |
| Seal adaptor to firebox using high-temp gasket sealant. Bolt through holes provided. |
| Seismic Restraint |
| Secure firebox through anchor positions provided. |

Freestanding Taper Top Cabinet



| Assembly Check List | Tick Box |
|----------------------|----------|
| Firebox | |
| Freestanding cabinet | |
| Adaptor (fastenings) | |
| Ash Pan | |
| Bricks | |
| Louvres | |
| Badge | |
| Damper handle | |
| Specifications | |
| Packed By | |

Due to continued product improvement, Warmington Ind LTD reserves the right to change product specifications without prior notification.

FIREBOX INSTALLATION

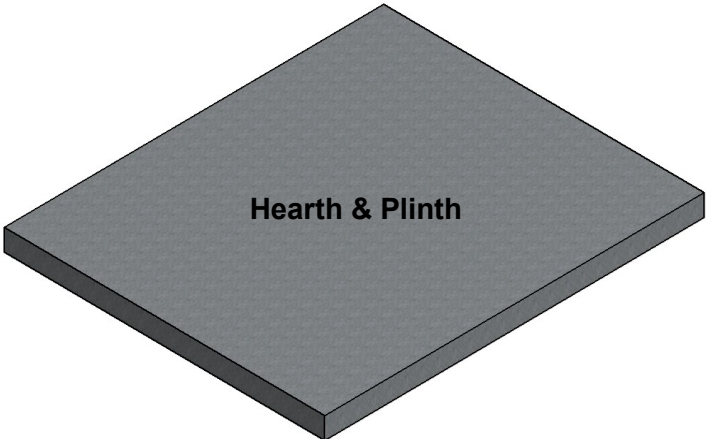
This is a general Installation guide only. Contact a “NZHHA Installer” for installation advice. Visit www.homeheat.co.nz, choose “members” & pick your area & fire type (wood / gas etc).

1. All the dimensions are minimum.
2. Fit the plinth into position. If installing on a wooden floor, ensure an insulating plinth is fitted as per the specifications. Ensure the plinth is elevated to allow for finishing on the hearth. (See hearth and plinth details).
3. Fit the firebox & cabinet into position. Remove the cabinet top & bolt the firebox to the plinth or through to the floor with the bolting points provided on the left and right hand sides of the firebox (seismic restraints).
4. Ensure that Hi Temp Sealant is used between the Fire and Adaptor. Bolt into position with the Bolts in the Left and Right Hand Sides of the Firebox.
5. Install the Warmington Freestanding Flue System. (see page 8)
6. Replace the top of the Freestanding cabinet.

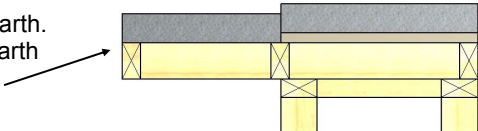
HEARTH & PLINTH CONSTRUCTION DETAILS

IMPORTANT NOTE:

Note: *Hearth and Plinth Construction.*
 For combustible flooring an insulating hearth and plinth of 75mm Hebel is required.
 Plinth to be offset above hearth by the hearth finishing's (e.g. tiles/granite/solid plaster/etc).
 Raised hearth's & plinth's cantilevered must be adequately supported to take the weight in accordance with the NZ Building Code.



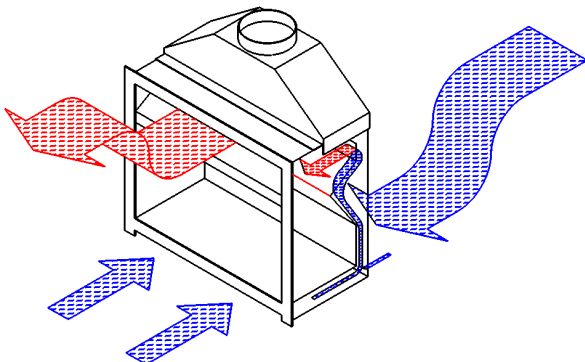
This is a raised & cantilevered hearth. See page 15 for further raised hearth detail.



***Note: If Solid Plastering the Heat Cell Structure, it is recommended to use a fibreglass mesh with a Latex Based Plaster to minimise the chance of the Solid Plaster cracking. (See your Solid Plasterer for correct materials and applications).**

Visit the Warmington website www.warmington for “Hebel” instruction (PDF download).

“CAITEC” TECHONOLGY—ROOM AIR REPLACEMENT



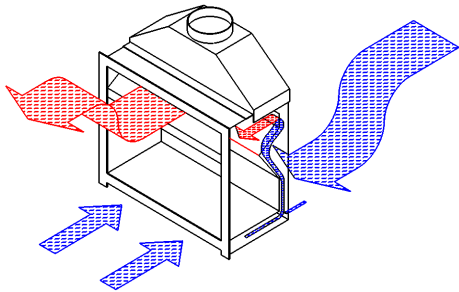
Caitec” draws air from an external air source to ensure that the open fire has pre-heated combustion air maximising efficiency while maintaining the home at constant pressure equilibrium, reducing the risk of back drafting . Ensure that the cavity is vented to Outside fresh Air and the Warmington will take care of the rest. 2 x 100mm Diameter vent are required (Or equivalent to that.) **Builder to supply external air to the Cavity and the “Warmington Fire” takes care of the rest.**

NOTE : Point to consider regarding pressure differential.

Due to continued product improvement, Warmington Ind LTD reserves the right to change product specifications without prior notification.

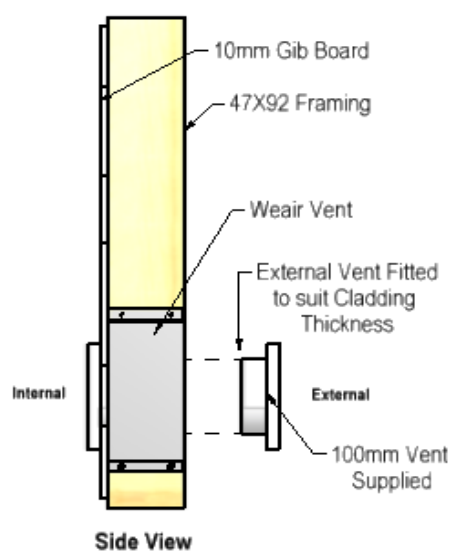
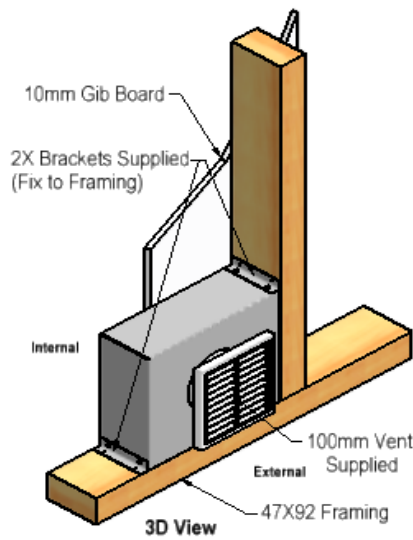
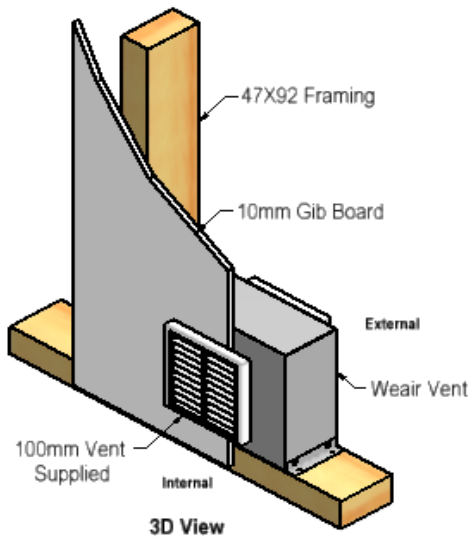
'Caitec' weir vent system (concept only)

"CAITEC" TECHNOLOGY - ROOM AIR REPLACEMENT

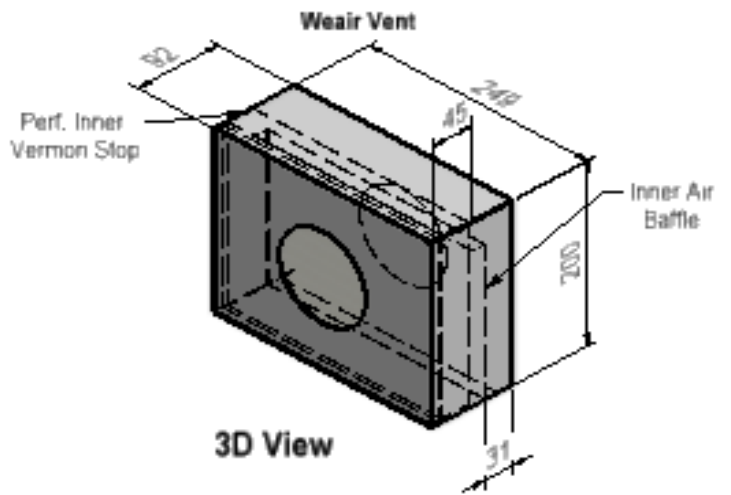
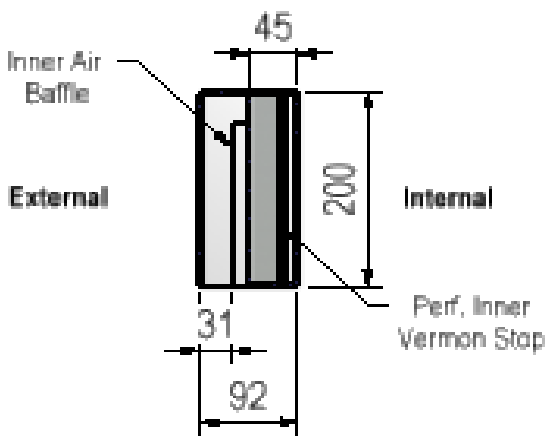


Caitec draws air from an external air source to ensure that combustion air the open fire uses is replaced, maintaining the home at a constant pressure equilibrium, reducing the risk of back drafting. Ensure that the home is vented to outside fresh Air. 2 x 100mm diameter vents, are required (or equivalent to that.).
Builder to supply external air to the Warmington fire (not supplied).

Concept Drawings Only



Side Section View



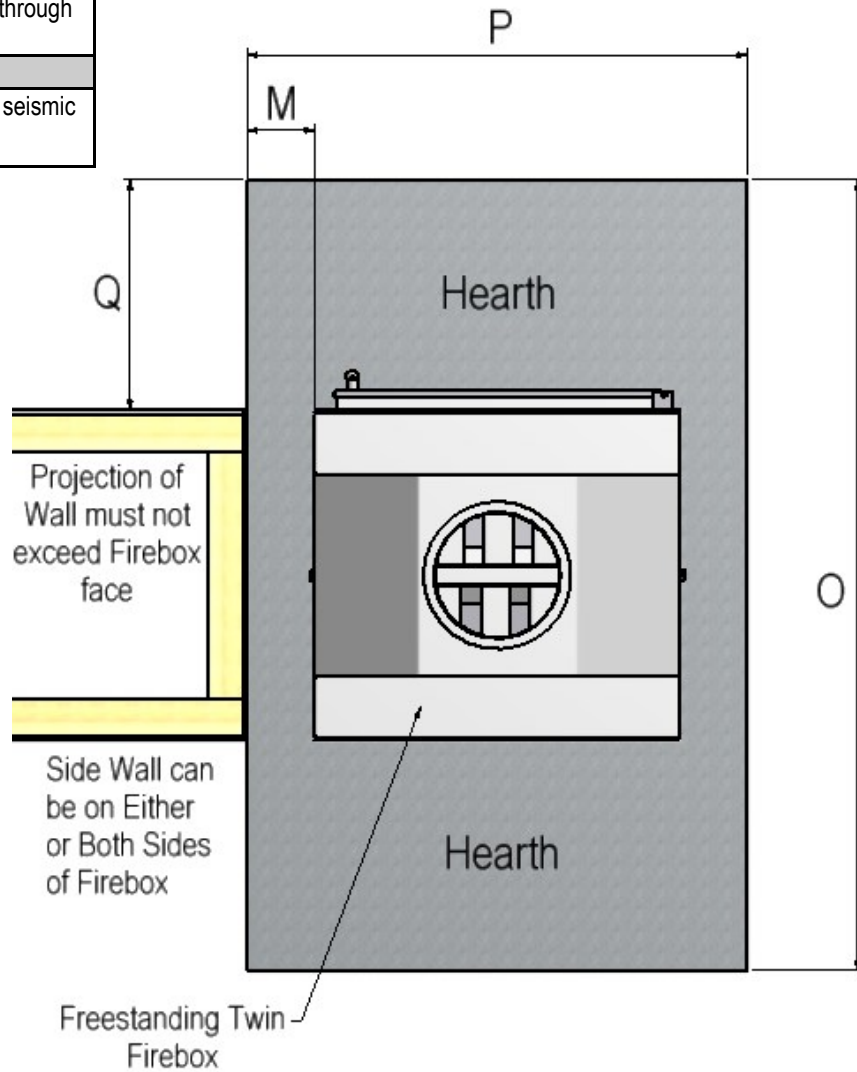
Important Note:
 For optimum performance, place "Caitec" weir vent system as close to fireplace as possible.

Due to continued product improvement, Warmington Ind LTD reserves the right to change product specifications without prior notification.

PLAN VIEW OF CABINET CLEARANCES (STRAIGHT WALL HEARTH)

Adaptor fitment
 Seal adaptor to firebox using high temp gasket sealant. Bolt through holes supplied.

Seismic Restraints
 Secure fire down through seismic Restraints.



| Freestanding Taper Top Twin Firebox | | SI 780 FST | SI 780T FST | SI 900 FST | SI 1100 FST |
|-------------------------------------|---|------------|-------------|------------|-------------|
| To Wall Side | M | 185 | 185 | 175 | 200 |
| Hearth Depth | O | 1910 | 1910 | 2060 | 2110 |
| Hearth Width | P | 1200 | 1200 | 1300 | 1550 |
| Hearth Projection | Q | 600 | 600 | 600 | 600 |

Hearth & Plinth construction
 For combustible flooring, an insulating Hearth & Plinth of 75mm Hebel is required. Ensure Hearth finishing's are completed prior to installation.

Due to continued product improvement, Warmington Ind LTD reserves the right to change product specifications without prior notification.

FLUE DETAILS DIMENSIONS

| Flue details | No: | SI 780 | SI 780T | SI 900 | SI 1100 |
|-----------------|-----|---------|---------|---------|---------|
| | | FST | FST | FST | FST |
| Cowl | 1 | 300 | 300 | 325 | 350 |
| Cone | 1 | 300 | 300 | 325 | 350 |
| Top Spider | 1 | 300 | 300 | 325 | 350 |
| Flue Diameter | 4 | 300 | 300 | 325 | 350 |
| Baffle Diameter | 3 | 350 | 350 | 375 | 400 |
| Liner Diameter | 3 | 400 | 400 | 425 | 450 |
| 50mm Spacer | 1 | 300/400 | 300/400 | 325/425 | 350/450 |
| 25mm Spacer | 3 | 300/350 | 300/350 | 325/375 | 350/400 |
| 25mm Spacer | 4 | 350/400 | 350/400 | 375/425 | 400/450 |
| Trim Plate | 1 | 350 | 350 | 375 | 400 |
| Ceramics | 1 | Pk | Pk | Pk | Pk |

| Minimum Flue Height | |
|------------------------------|--------------|
| Flue Height | 4800 |
| Measured From Top of Adaptor | B + F + 4800 |

NOTE: Ensure that a standard tested Warmington Flue System is used on the Warmington Fires.

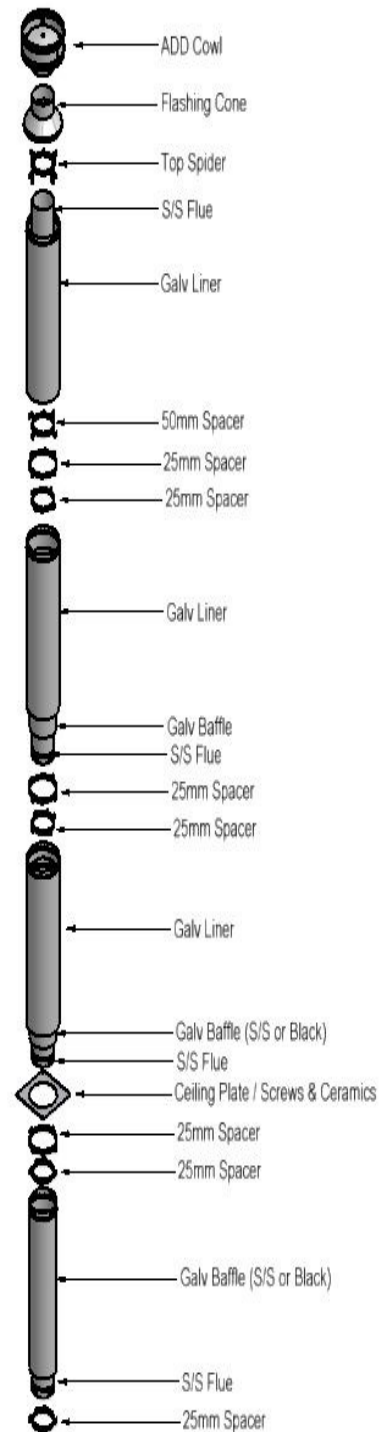
FLUE SYSTEM INSTALLATION GUIDE

This is a general installation guide only. Contact a 'NZHHA Installer' for installation advice. Visit www.homeheat.co.nz, choose 'members' & pick your area & fire type (wood/gas etc). This will provide you with a NZHHA Certified Installer (use the SFAIT Installers only).

1. Install the first length of flue pipe with the crimped end down, inside the adaptor collar, and ensure the flue pipe is sealed into the collar with exhaust sealant. Rivet the flue in 3 places around the adaptor collar. Place a spacer around the flue pipe approximately 150mm above the adaptor collar. Secure in position by tightening the screw and nut.
2. Install the second length of flue pipe with the crimped end down and secure by riveting in at least 3 places around the flue pipe joint. ensure the flue is secured into position .
3. Install the first inner baffle with crimped end up, over the first flue pipe & spacer, ensuring you leave room to rivet off flue & then fit second spacer over inner baffle. Slide outer liner with the crimped end up over inner baffle. The spacers will keep the liners concentric around the flue pipe.
4. Position spacers over the flues for every length of 'flue pipe', 'inner baffle, and 'liner'. Repeat steps from 1 – 4 to the installed required height of the flue system. The flue system is to comply with AS/NZS 2918:2001 4.9.1.

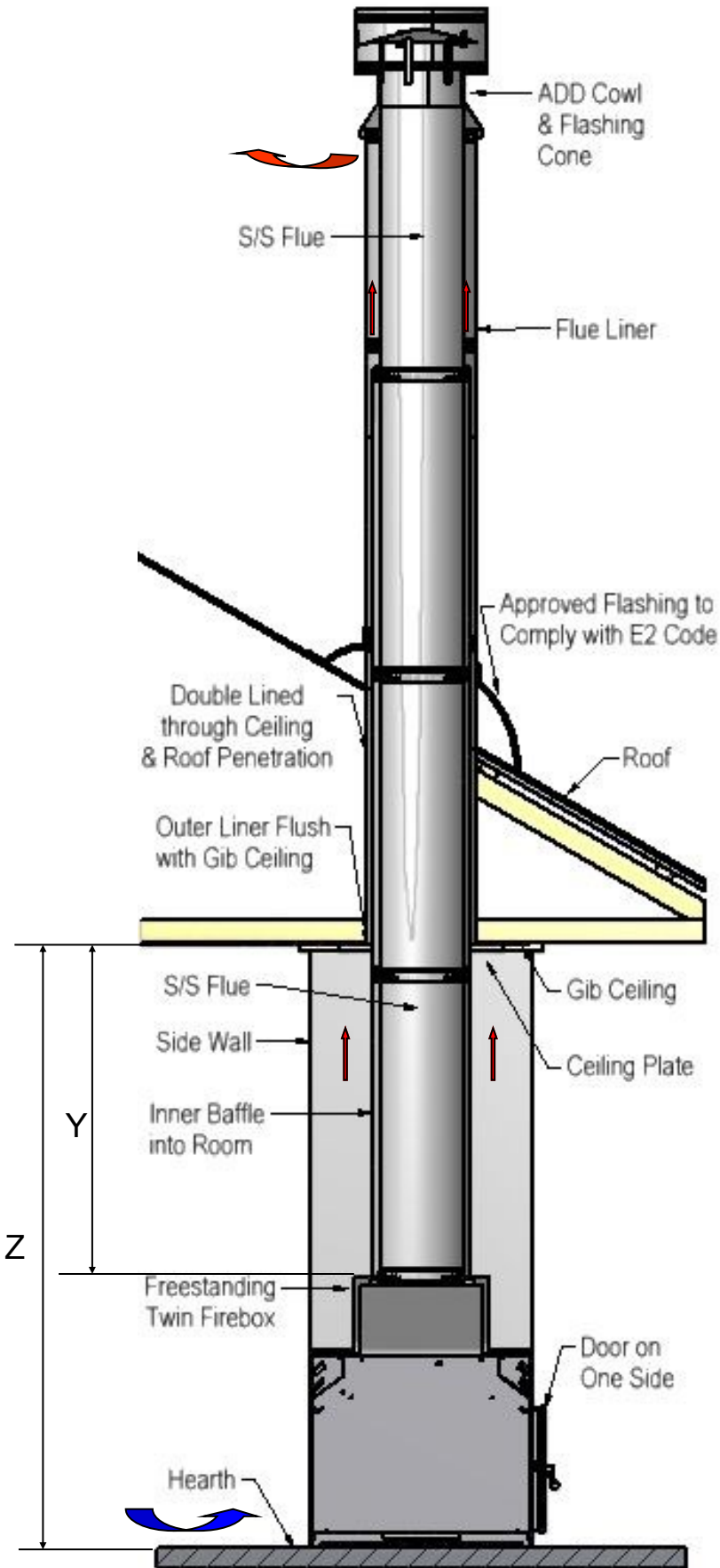
- a "the flue pipe shall extend not less than 4.6m above the top of the floor protector."
- b " the minimum height of the flue system within 3 m distance from the highest point of the roof shall be 600mm above that point."
- c "the minimum height of the flue system further than 3 m from the highest point of the roof shall be 1000mm above the roof penetration."
- d "no part of any building lies in or above a circular area described by a horizontal radius of 3 m about the flue system exit."

6. **NOTE:** The last length of flue pipe needs to extend past the liner so that when the 'top spide' and 'flashing cone' are fitted, the 'flashing cone' and the 'flue pipe' are **flush**, or that the 'flue pipe' is **5mm lower** than the 'flashing cone'.
7. Fit the 'top Spider' into position, ensure that the legs of the spider are fitted inside the liner and the spider is positioned hard down onto the liner and tighten with the screw and nut.
8. Place the 'flashing cone' over the 'flue pipe' and press hard down onto the 'top spider'. (Note that the 'flue pipe' and the 'flashing cone' are either flush or the 'flue pipe' is 5mm lower than the 'flashing cone;). Ensure the 'flashing cone' is clear for the venting from the 'liner' and the 'flue pipe'.
9. Fit the 'cowl' to the top of the flue pipe. The 'cowl', 'flashing cone', and the 'flue pipe' can be secured to each other with the use of a stainless steel self tapping screw. This will allow the 'cowl' to be removed for cleaning.
10. Flue system may require bird proofing depending on installation and location. Discuss this with your installer for the best advice.
11. If the flue system is installed into a 'chimney chase', allow for air vent as close to the top of the chase as practical, or allow venting through the 'chimney chase flashing'. A 'venting flashing cone' and a 25mm gap around the liner with a 'venting flashing cone-spider' can be used.



Due to continued product improvement, Warmington Ind LTD reserves the right to change product specifications without prior notification.

TAPER TOP FREESTANDING FLUEKIT SECTION VIEW



Note :

External requirements refer to AS/NZS2918:2001 4.9.1

Install flue system to AS/NZS2918:2001

When using a rubber or Bitumen flashing (Butynol , Dek-tite) an additional flue pipe baffle is required.

All external air vents & ceiling penetrations must be bird proofed with permanently fixed screens.

All flashing to comply with E2.

All external air vents and ceiling penetrations are to be vermin and rodent proof.

Note: FLUE SYSTEMS casing.

Flue system may require to be eoubled lined to comply. Ref ASNZS:2918:2001 4.3 flue pipe casing

Note:

A minimum height must be maintained from the top of the cabinet to the ceiling as per graph below.

| Freestanding Taper Top Firebox | | SI 780 FST | SI 780T FST | SI 900 FST | SI 1100 FST |
|--------------------------------|---|------------|-------------|------------|-------------|
| Top of Cabinet to Ceiling | Y | 850 | 770 | 850 | 780 |
| Minimum Ceiling Ceight | Z | 1700 | 1700 | 1900 | 1900 |

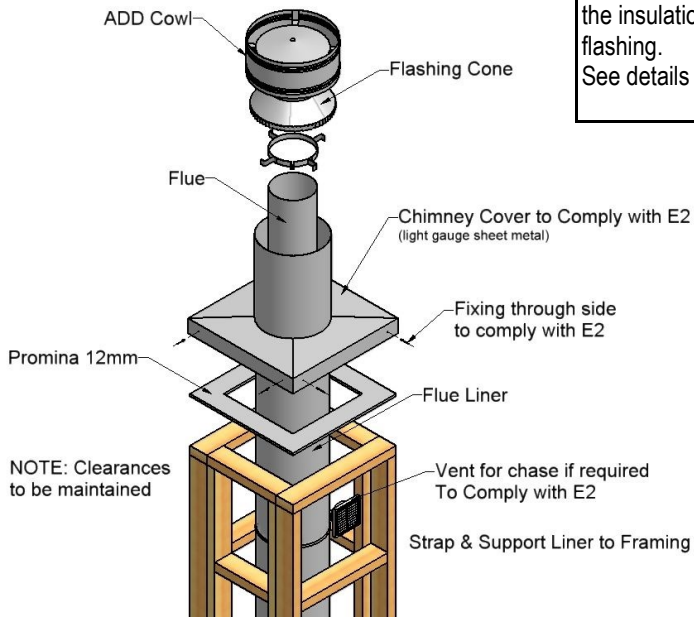
| Test Report Number | Date of Report |
|--------------------|----------------------------|
| 04/1039 | 20 th July 2004 |
| 04/1040 | 20 th July 2004 |
| 04/1041 | 20 th July 2004 |

Due to continued product improvement, Warmington Ind LTD reserves the right to change product specifications without prior notification.

CHIMNEY CHASE FLASHING DETAILS

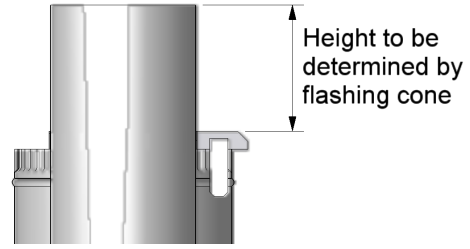
SETTING ADD COWL AND FLASHING CONE HEIGHT

General Chimney Chase Flashing Lay Out

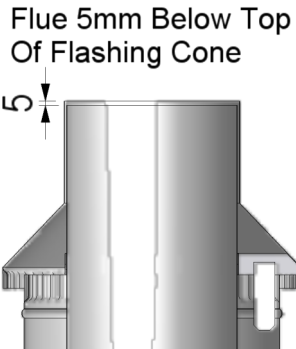


Note:
Flashing spigot height is determined by the insulation that is fitted under the flashing.
See details at bottom of page.

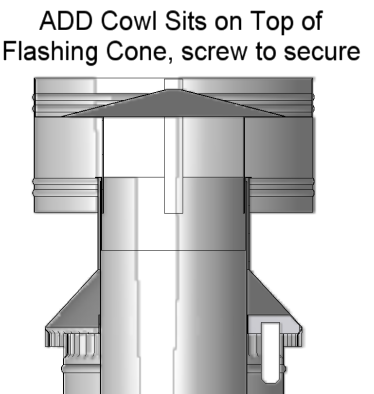
STEP 1



STEP 2

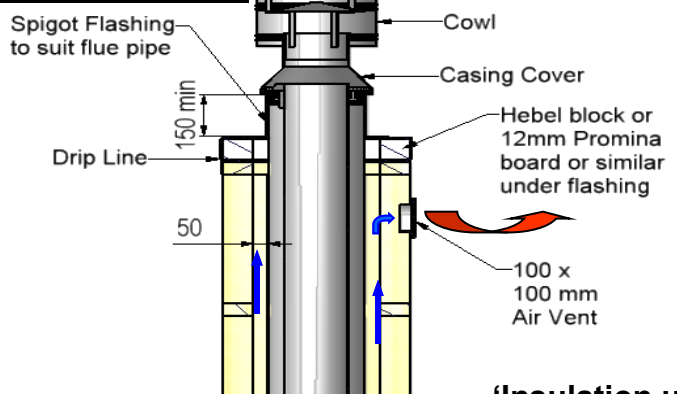
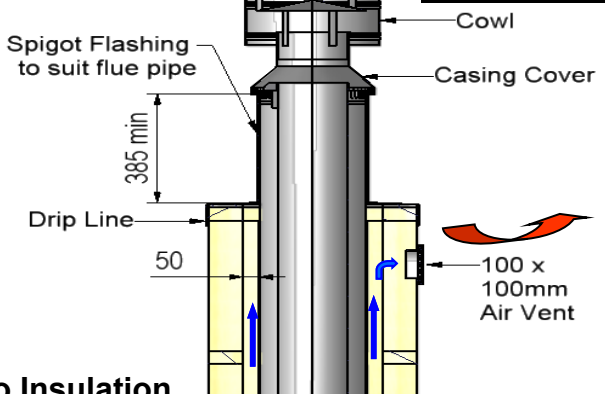


STEP 3

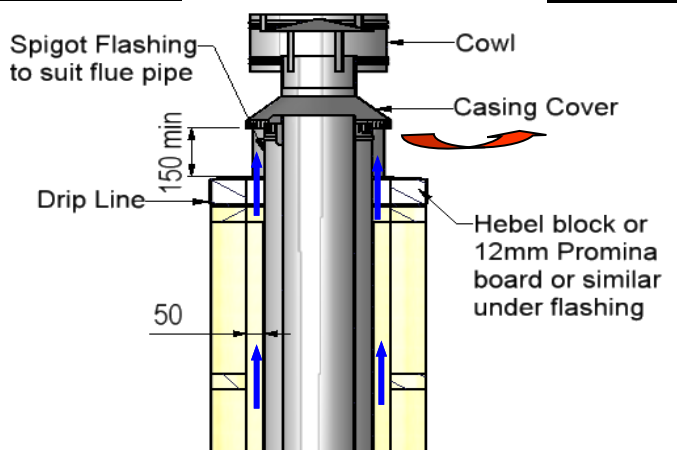
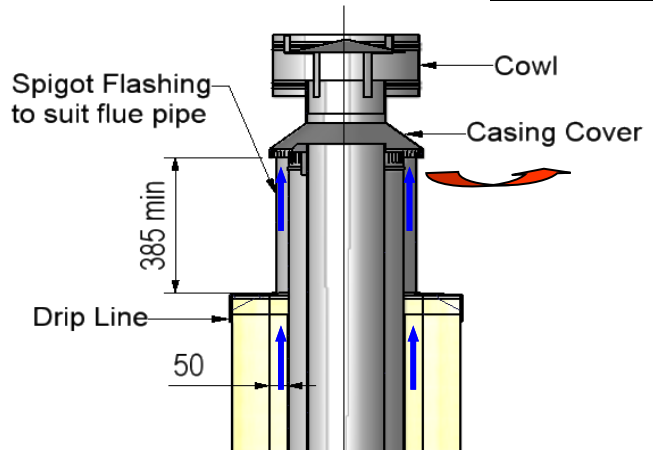


"CHIMNEY CHASE FLASHING" AND "AIR VENTILATION" OPTIONS :

VENTING THROUGH CHIMNEY CHASE



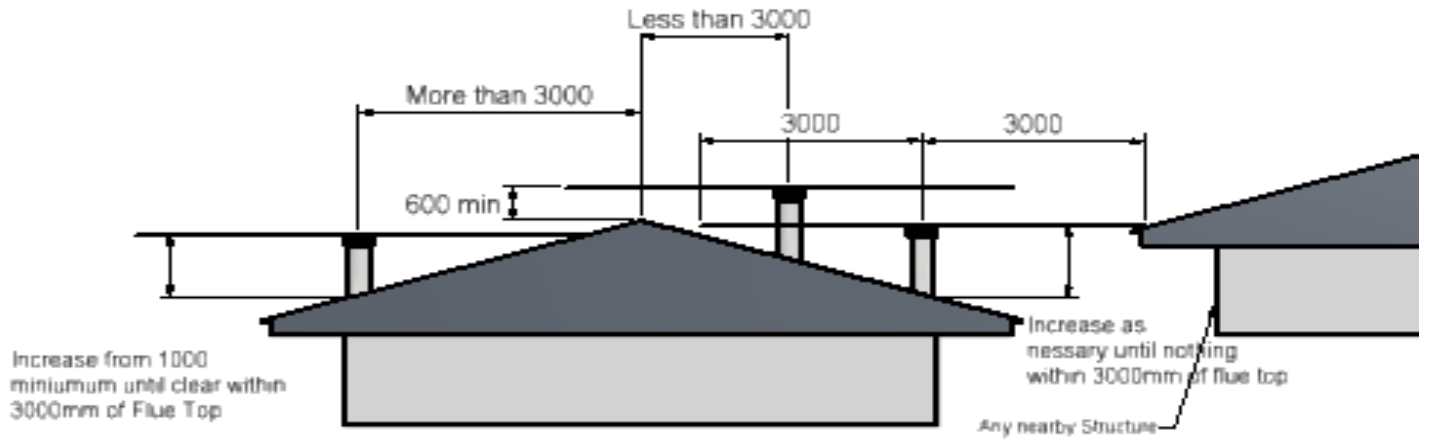
VENTING THROUGH FLASHING



Due to continued product improvement, Warmington Ind LTD reserves the right to change product specifications without prior notification.

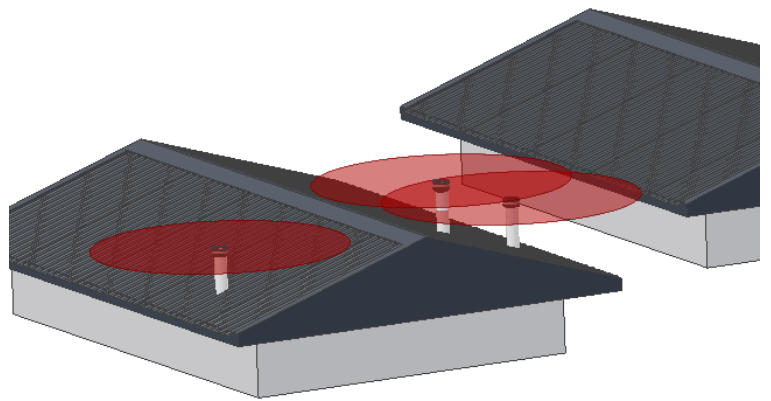
FLUE HEIGHT MINIMUM DETAILS

Note: FLUE SYSTEMS casing.
 Flue system may require to be Doubled lined to comply.
 Ref ASNZS:2918:2001 4.3 Flue pipe casing



The flue exit is to comply to ASNZS 2918: 2001

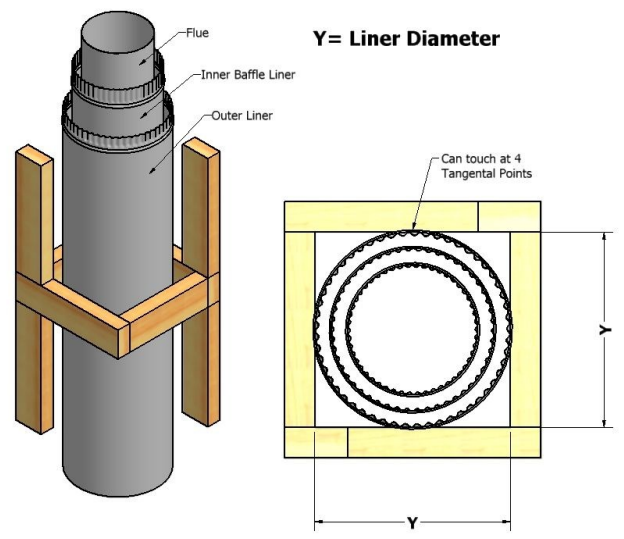
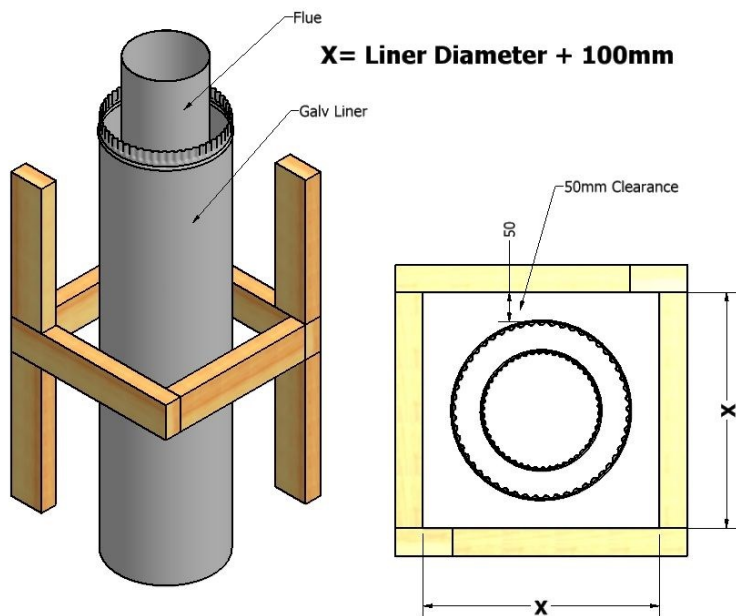
3D View



FRAME OUT AND TRIM OUT DETAILS FOR CHIMNEY CHASE

Option X – Singled Lined Flue System

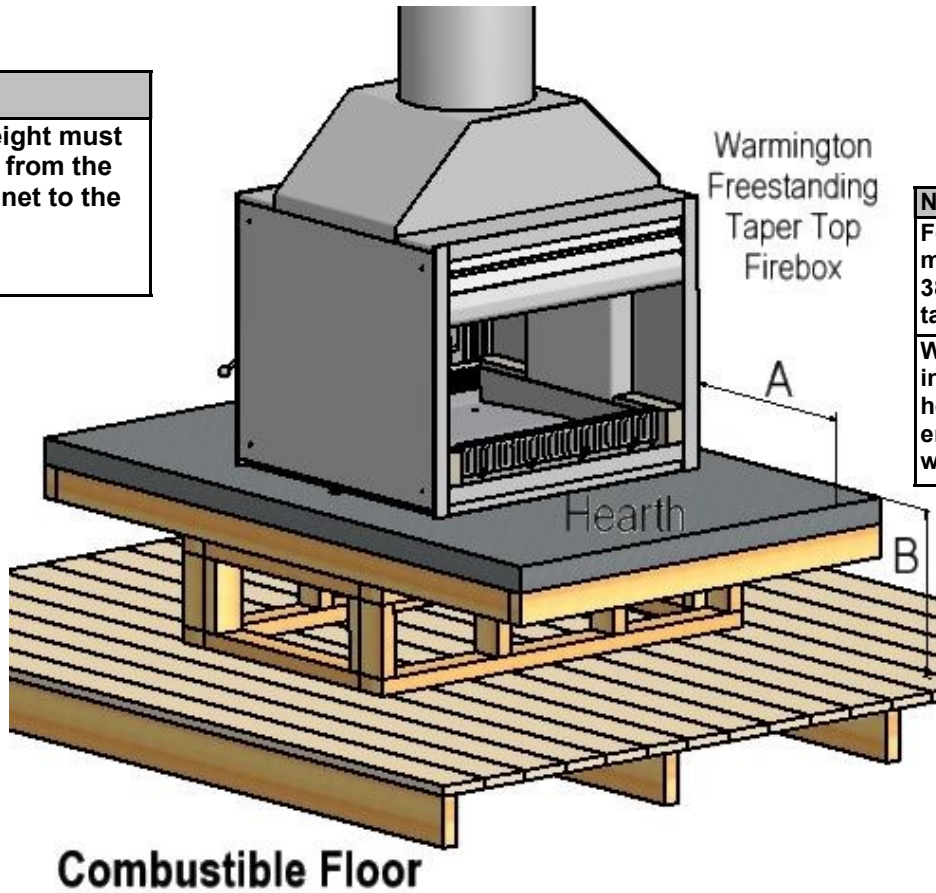
Option Y – Double Lined Flue System



Due to continued product improvement, Warmington Ind LTD reserves the right to change product specifications without prior notification.

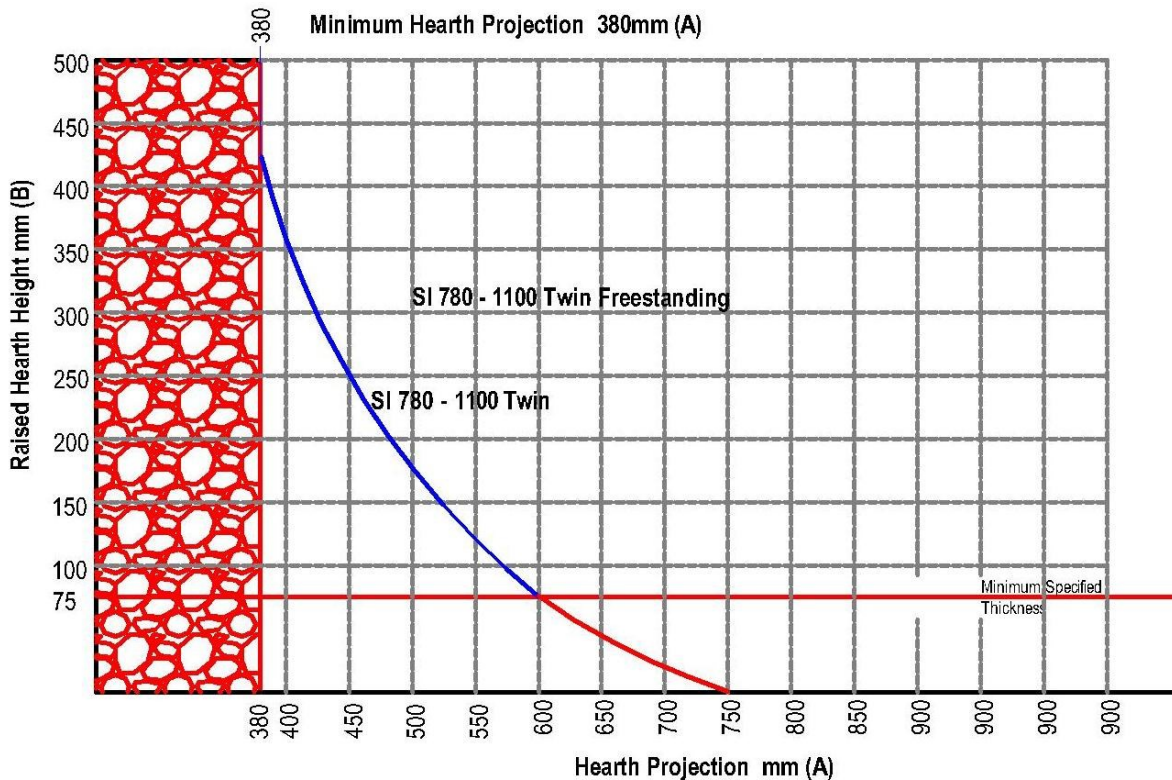
RAISED HEARTH CLEARANCES

Note:
A minimum height must be maintained from the top of the cabinet to the ceiling.
See page 8.



Note:
For combustible floors a minimum hearth of 380mm (A) must be maintained.
When raising & cantilevering a hearth, ensure the hearth is appropriately engineered to take the weight of the hearth.

SI 780 - 1100 RAISED HEARTH CLEARANCES



Due to continued product improvement, Warmington Ind LTD reserves the right to change product specifications without prior notification.

GENERAL NOTES : ASNZS 2918 : 2001**NOTES:**

- Fire Operation and Maintenance Instructions can be downloaded from www.warmington.co.nz.
- Warranty - for full details on product warranties, contact your local Authorised Warmington Retailer.
- Correct installation, operation and maintenance must be maintained to comply with Warmington Warranty.
- The appliance and flue system must be installed in accordance with ASNZS2918:2001 and the appropriate Building codes.
- The flue system and fireplace is to be swept annually or more frequently if required.

WARNINGS:

- **WARNING; ANY MODIFICATION OF THE APPLIANCE THAT HAS NOT BEEN APPROVED IN WRITING BY THE TESTING AUTHORITY IS CONSIDERED AS BREACHING AS/NZS 4013.**
- **WARNING; DO NOT USE FLAMMABLE LIQUIDS OR AEROSOLS TO START OR REKINDLE THE FIRE.**
- **WARNING; DO NOT USE FLAMMABLE LIQUIDS OR AEROSOLS IN THE VICINITY OF THIS APPLIANCE WHEN IT IS OPERATING.**
- **WARNING; DO NOT STORE FUEL WITHIN HEATER INSTALLATION CLEARANCES.**
- **WARNING; WHEN OPERATION THIS APPLIANCE AS AN OPEN FIRE USE A SPARK SCREEN.**
- **CAUTION:** THIS APPLIANCE SHOULD BE MAINTAINED AND OPERATED AT ALL TIMES IN ACCORDANCE WITH THESE INSTRUCTIONS
- **CAUTION:** THE USE OF SOME TYPES OF PRESERVATIVE-TREATED WOOD AS A FUEL CAN BE HAZARDOUS.

| Model | Estimated KW | Average KW |
|-------------|--------------|------------|
| SI 780 FST | 17 | 11 |
| SI 780T FST | 19 | 12 |
| SI 900 FST | 23 | 13 |
| SI 1100 FST | 25 | 14 |

NOTE: For Operation Instructions download from the website
www.warmington.co.nz



Industries 1994 LTD
PO Box 58652, Botany 2163, Auckland
www.warmington.co.nz

Due to continued product improvement, Warmington Ind LTD reserves the right to change product specifications without prior notification.