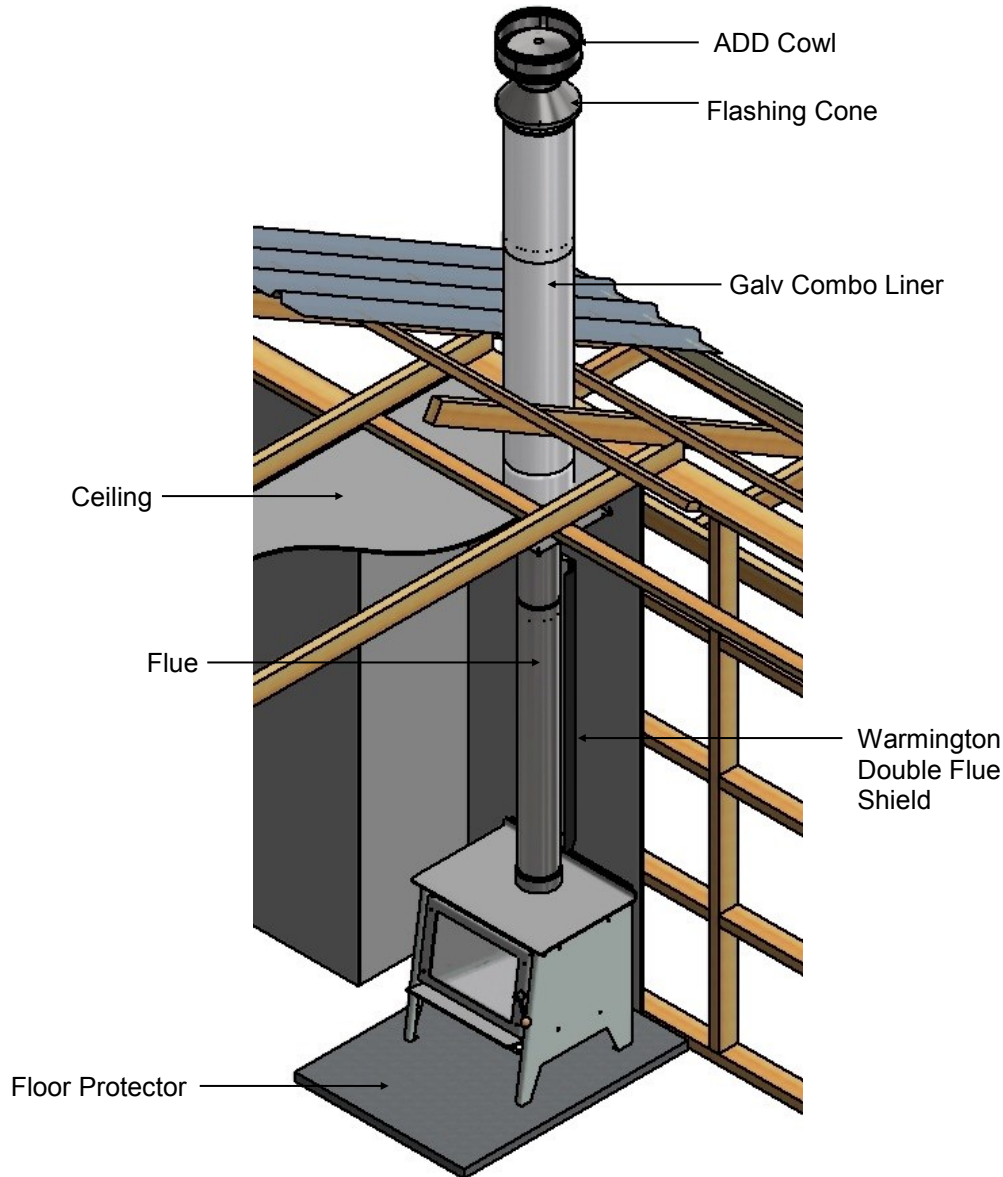


# *Warmington Tasman 46L & 70L Fires*

## Freestanding Fires - Clean Air Approved Wood Burner Installation Instructions



**Visit [www.warmington.co.nz](http://www.warmington.co.nz) for Spec's, DWG's and PDF uploads of Fires**

### Fire, Flue System and Instructions to Comply with ASNZS 2918:2001

Keep these Instructions for further reference.....Ensure that you have the correct and current Installation details for the Warmington Fire

#### Installation

The Warmington unit is to be Installed by a Certified Warmington Installer or a Certified NZHHA SFAIT Installation Technician .  
See [www.warmington.co.nz/members](http://www.warmington.co.nz/members) for a Certified NZHHA SFAIT Installer in your area .

#### CLEARANCES TO COMBUSTIBLE SURFACES UNLESS STATED

#### **IMPORTANT**

Read all the instructions carefully before commencing the Installation. Failure to follow these instructions may result in a fire hazard and void the warranty

Due to continued product improvement, Warmington Ind LTD reserves the right to change product specifications without prior notification.



Model: .....46L Fire

Serial No: .....

Emission Report No:.....0214c Spectrum Laboratories

TESTED TO **AS/NZS 4013**.

BURN ONLY UNTREATED WOOD WITH MOISTURE CONTENT LESS THAN 25% (DRY BASIS)

AVERAGE PARTICULATE EMISSION FACTOR BURNING SOFTWOOD –...0.86 g/kg

MAXIMUM AVERAGE HEAT OUTPUT BURNING SOFTWOOD –...9 kW

OVERALL AVERAGE EFFICIENCY BURNING SOFTWOOD –...66%

Council Authorisation No. **Ecan: 111359 Nelson: 111359**

When Tested in Accordance with **AS/NZS 4012**

Performance may vary from tested values depending on actual operating conditions.

Date of installation: \_\_\_\_/\_\_\_\_/20\_\_\_\_

Model: .....70L Fire

Serial No: .....

Emission Report No:.....

TESTED TO **AS/NZS 4013**.

BURN ONLY UNTREATED WOOD WITH MOISTURE CONTENT LESS THAN 25% (DRY BASIS)

AVERAGE PARTICULATE EMISSION FACTOR BURNING SOFTWOOD –.....

MAXIMUM AVERAGE HEAT OUTPUT BURNING SOFTWOOD –.....

OVERALL AVERAGE EFFICIENCY BURNING SOFTWOOD –.....

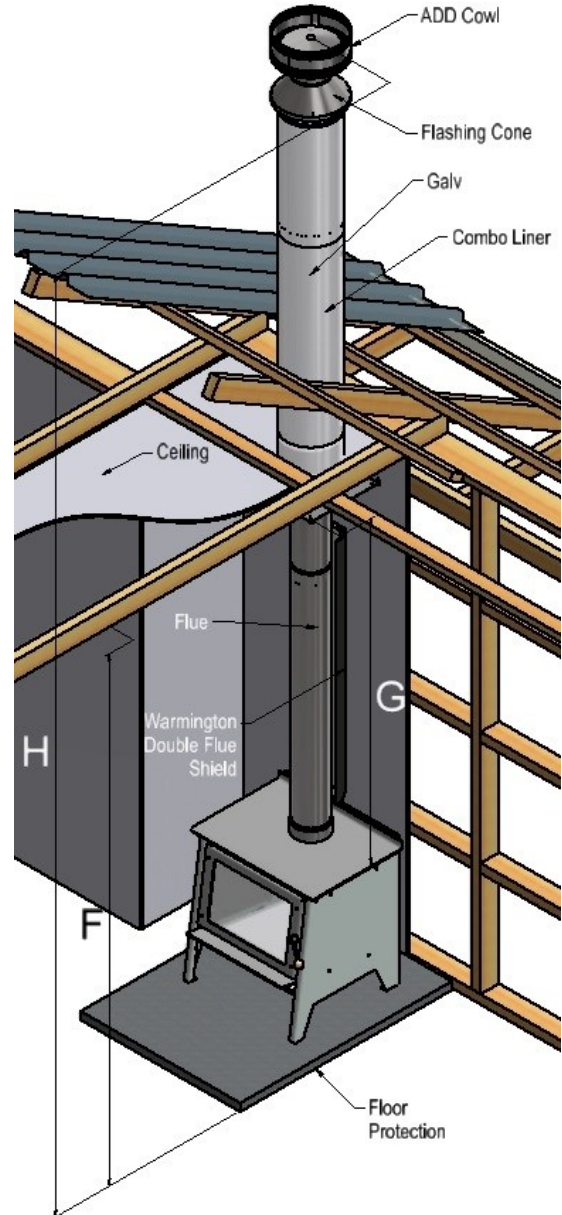
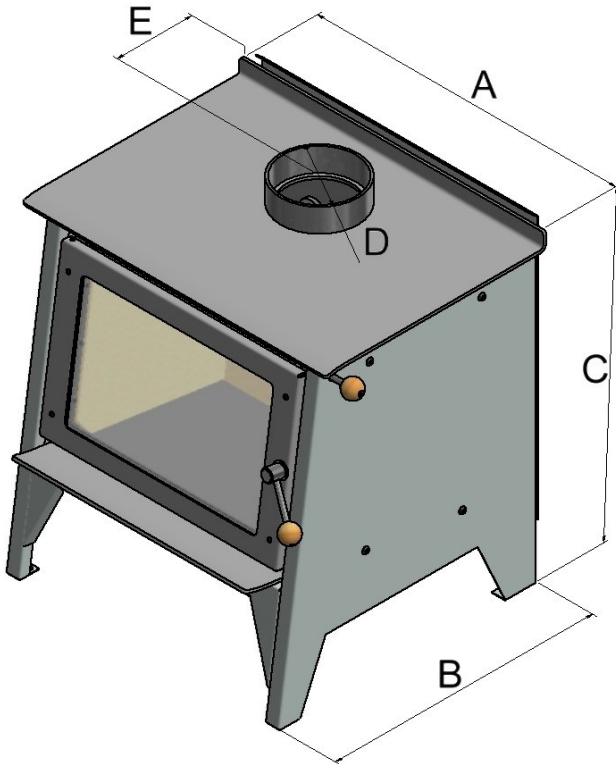
When Tested in Accordance with **AS/NZS 4012**

Performance may vary from tested values depending on actual operating conditions.

Date of installation: \_\_\_\_/\_\_\_\_/20\_\_\_\_

Description		46 L Fire	70 L Fire
Cabinet Width	A	650	750
Cabinet Depth	B	555	655
Cabinet Height	C	675	775
Flue Diameter	D	150	150
To Flue Centre	E	177	177
Ceiling Height	F	2400	2400
Minimum from fire to Ceiling	G	1500	1500
Emission Levels (g/kg)		0.86	

**FIREBOX DETAILS**



**FLOOR PROTECTOR "ASH" - Tested to ASNZS 2918**

**Note: Floor Protection**  
 Floor protectors are normally designed to suit each individual "setting". Mnimum size is show in the specification only.  
 The 46L & 70L requires a "ASH" floor protector as needed for most types of freestanding wood burners.

Check List	
Front Steel Baffle	
Vermiculite Board Baffle Brick	
Vermiculite Side Bricks X2	
Check Door Seal	
Check Damper Control	
Serial Number Check	
Packed By	

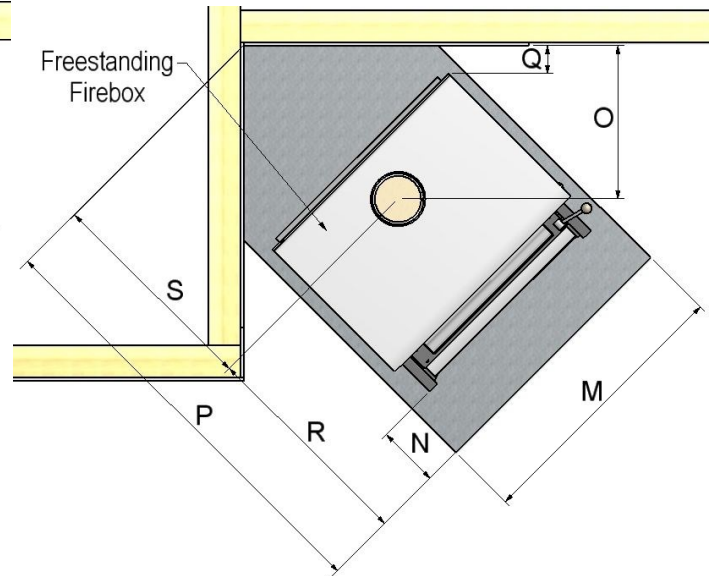
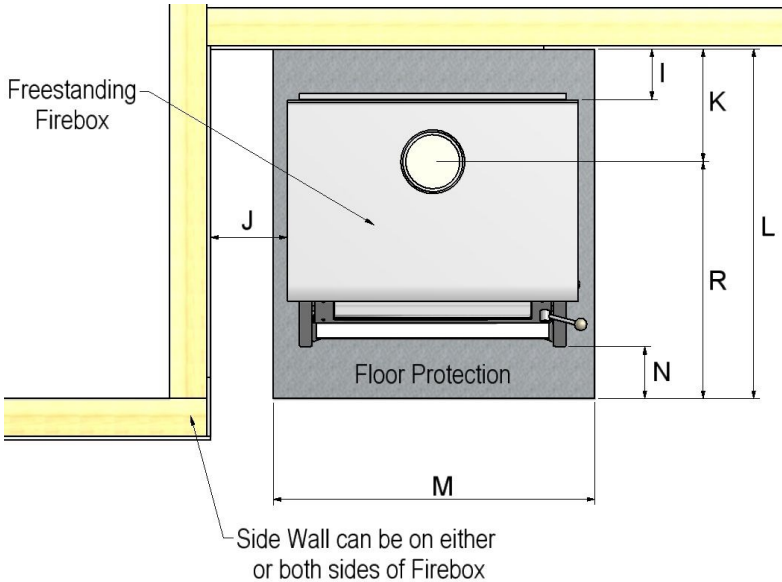
Minimum Flue Height	
Flue Height	3600
Measured From Top of Cabinet	C + 3600

**PLAN VIEW OF CLEARANCES TO COMBUSTIBLES —CORNER & STRAIGHT “Tested to ASNZS : 2918”**

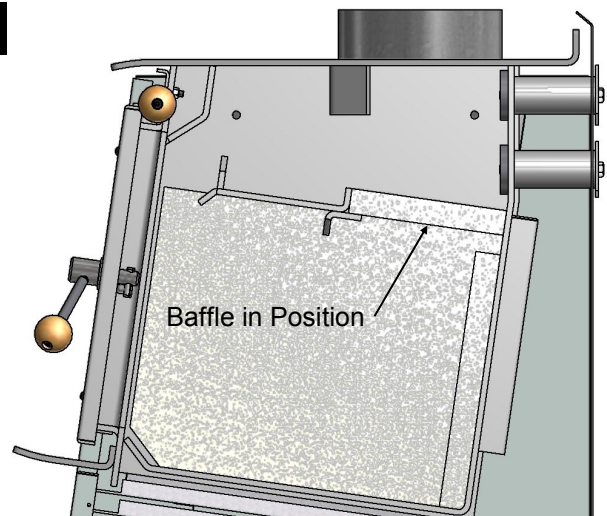
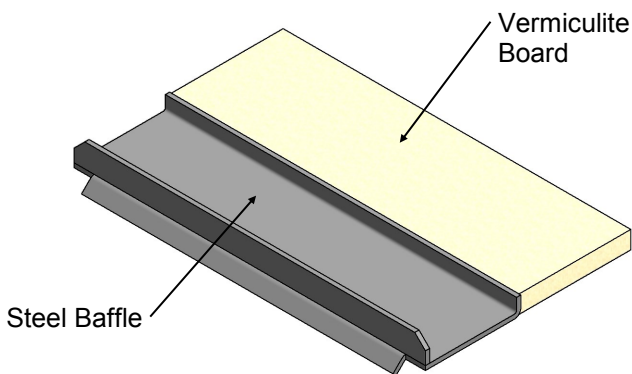
Description		46L :1	46L :2		70L :1	70L :2
To Wall Behind	I	150	100			
To Wall Side	J	350	100			
To Flue Centre	K	320	270			
Hearth Depth	L	1000	950			
Hearth Width	M	840	840			
Hearth Projection*	N	300	300			
To Flue Centre	O	503	453			
Hearth Depth	P	1386	1321			
To Wall Side	Q	150	100			
Hearth Projection**	R	680	680			
To Flue Centre	S	712	641			

\* Measurement taken from front feet  
 \*\* Measurement taken from flue centre

Situation	
1.	Combustible Surface with stainless steel reflective Flue Shield*
2.	Non-combustible surface including walls, finishings and framing without Flue Shield, e.g. Concrete/Block/Brick/ACC <b>Re Clearance to a Non Combustible materials walls or surfaces Ref to ASNZS:2918:2001 3.2.1.</b> <b>The clearance to a Non Combustible wall or surface can be less that 100mm if a wet back is not fitted and no requirement for maintenance.</b>
	* Construction of Flue Shield must be in accordance with ASNZS 2918 (minimum Flue Shield height is 1200mm)



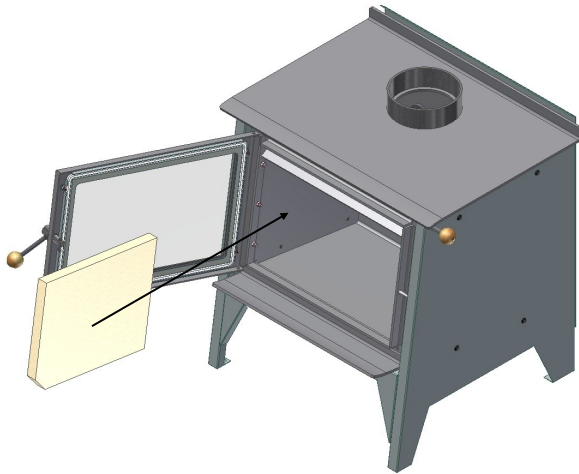
**BAFFLES & POSITIONING**



Due to continued product improvement, Warmington Ind LTD reserves the right to change product specifications without prior notification.

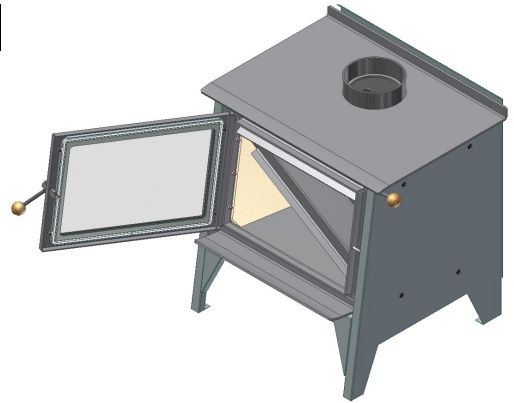
**FITMENT OF VERMICULITE BACK AND SIDES PANELS & BAFFLE ASSEMBLY.**

**STEP : 1**



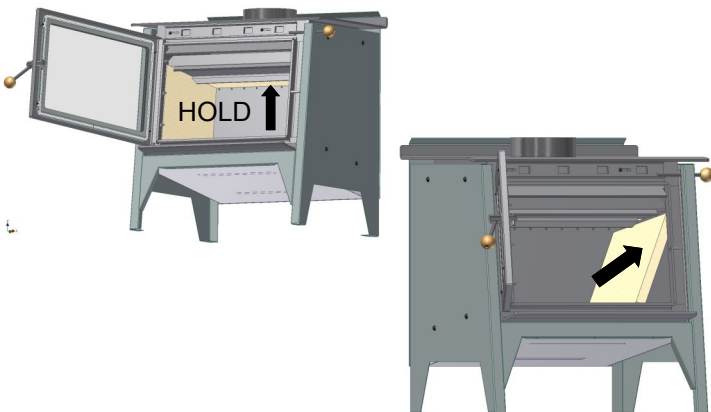
Place one Vermiculite Board side brick into the Firebox as shown above.

**STEP : 2**



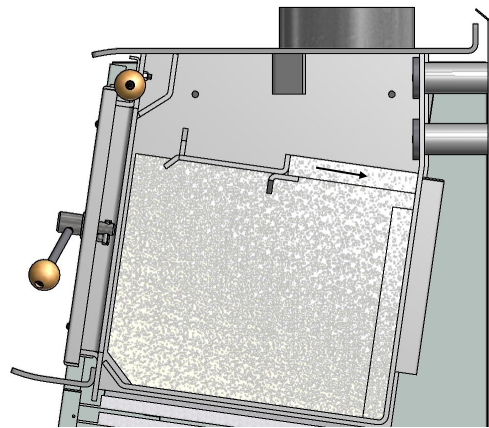
Put the Vermiculite Board baffle brick in first on an angle through the door frame, then repeat for the steel baffle. Join the two parts together & lift it up holding it horizontally resting on the one side bricks.

**STEP : 3**



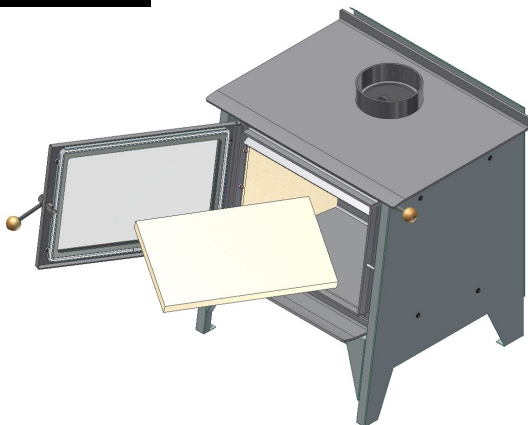
While holding up the baffle assembly horizontally, insert the opposite side brick in from underneath it, as shown above. The 2 side bricks will now support the Baffle.

**STEP : 4**



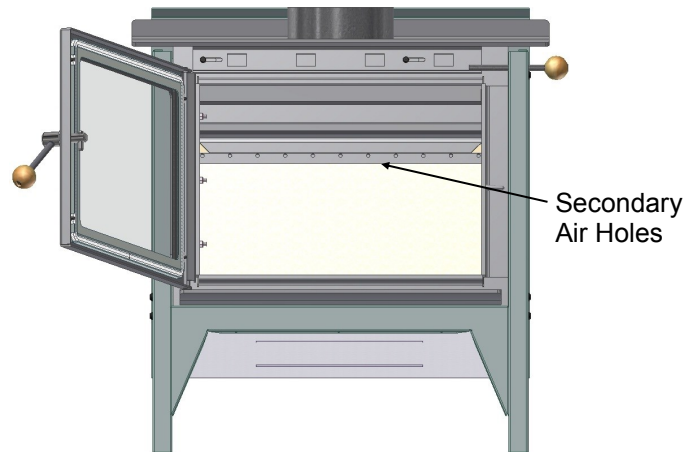
Push the baffle right to the back of firebox.

**STEP : 5**



Fit back Vermiculite Board panel into the firebox back, ensuring that it is sitting hard against the back of the firebox.

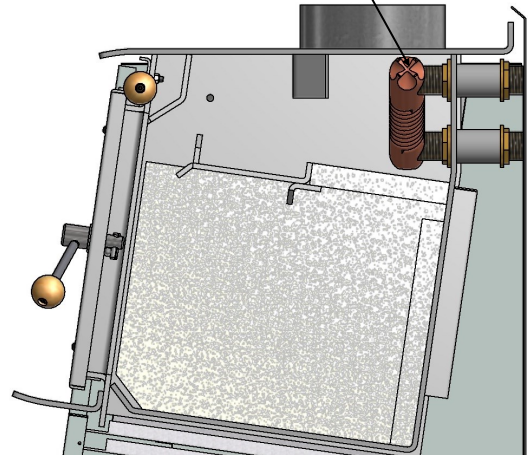
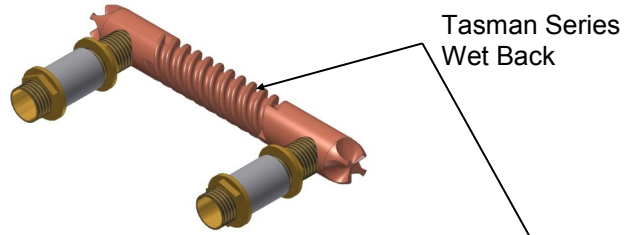
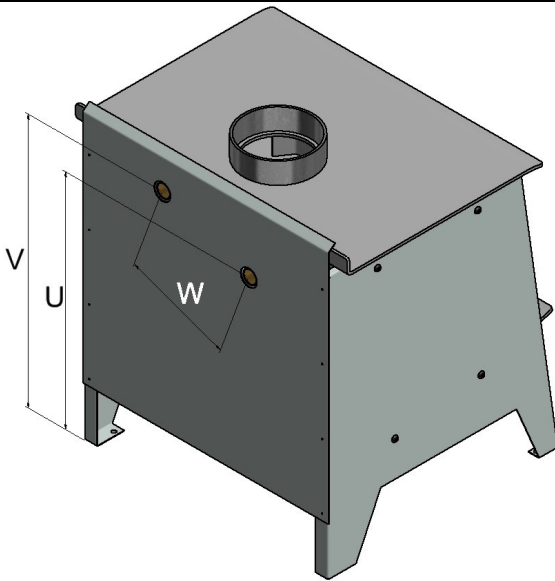
**STEP : 6**



Once the Vermiculite Board back is in place, ensure Secondary Air Holes on the back plate are clear of any obstructions.

**WETBACK POSITION**

Power Out	KW*
Wetback	1 - 1.5
*Value is approximate	



Description		46L	70L
Height from Bottom of Unit to Wetback Pipes	U	535	634
Height from Bottom of Unit to Wetback Pipes	V	610	709
Centre to Centre of Wetback Pipes	W	220	220

**Note: Before using the Fire with a Wet Back Fitted**

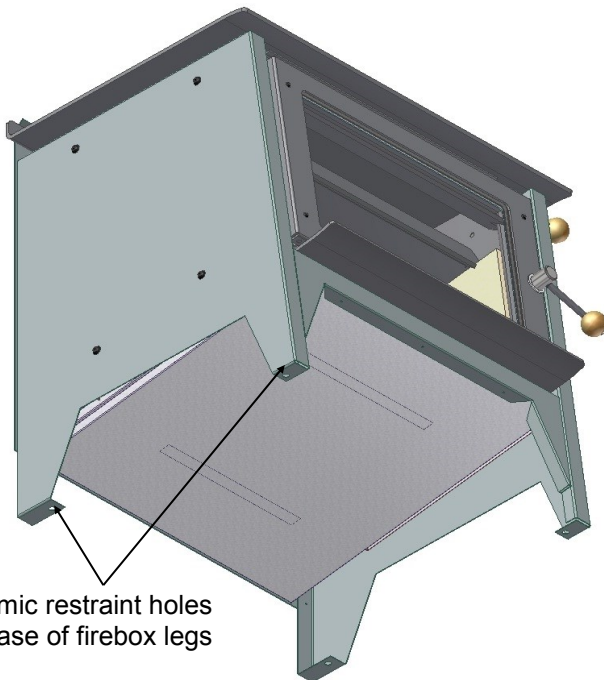
Consult your plumber for wet back system configurations and operation.

Wet back is to be fitted to an internal heat-sync before use (e.g. Hot water cylinder / Radiator / Under floor heating etc...

**Note:**

Some Wetbacks can NOT be fitted to Fires that are Installed in any area that falls under Clean Air Regulations .  
Cut Excess BSP Pipe off Wetback to length if required.....By Plumber.

**SEISMIC RESTRAINT FIXING**



Seismic restraint holes on base of firebox legs

**Seismic Restraint Fixing Instructions**

Fix 2X Seismic Restraints through the Hearth into the Floor . They are to penetrate into the fixing by at least 3 times their diameter.

Use at least 2 x 6 to 8 mm Dia Dyna Bolts or similar to fix fire to hearth and or through the hearth to the floor.

Fix hearth to floor with appropriate adhesive , bolt or screw.

Ensure that the Seismic Restraint complies with AS/NZS 2918:2001—Ref 3.8

## FLUE SYSTEM INSTALLATION GUIDE

Minimum Flue Height	
Flue Height	3600
Measured From Top of Fire	C + 3600

Flue details	No:	46 L & 70 L Fires
Cowl	1	150
Cone	1	150
Top Spider	1	150
Liner Diameter Slip	1	250
Flue Diameter S/S	1	150
Flue Diameter Hi Therm Black	2	150
Combo 250/200 X 1200MM Galv	1	250
Ceiling Plate	1	150
Ceramics	4	
Double Flue Shield	1	To Suit 150

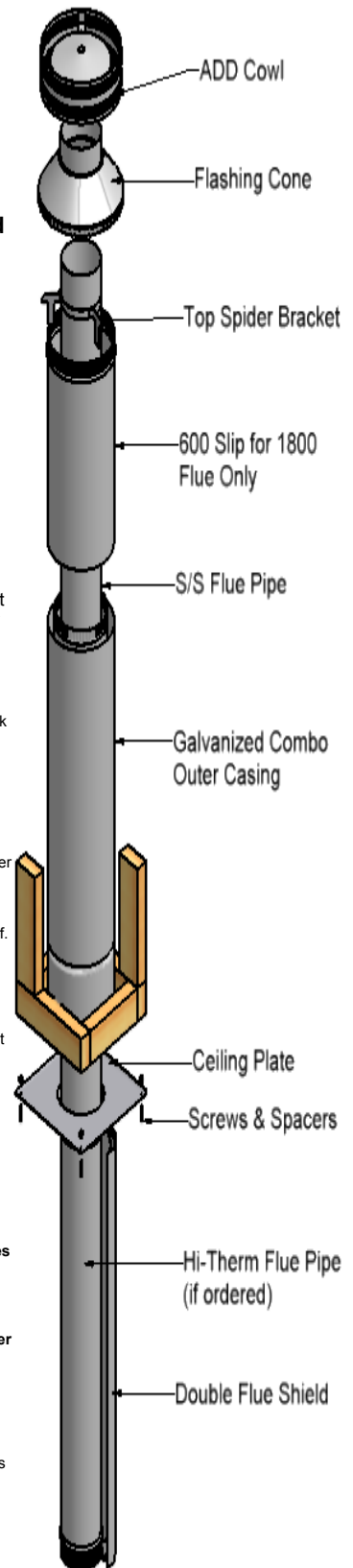
## FLUE SYSTEM INSTALLATION GUIDE

This flue kit has been manufactured in accordance with AS/NZS 2918:2001 and tested to Appendix F. To ensure safety, this flue kit must be installed as outlined in these instructions. Heater and flue pipe clearances from combustible walls must be in accordance with heater manufacture's specifications and AS/NZS 2918:2001. These installation instructions are for tested appliances only.

**THIS IS A GUIDE ONLY—EACH INSTALLATION WILL VARIE DUE TO UNIQUE INSTALLATION REQUIRMENTS.**

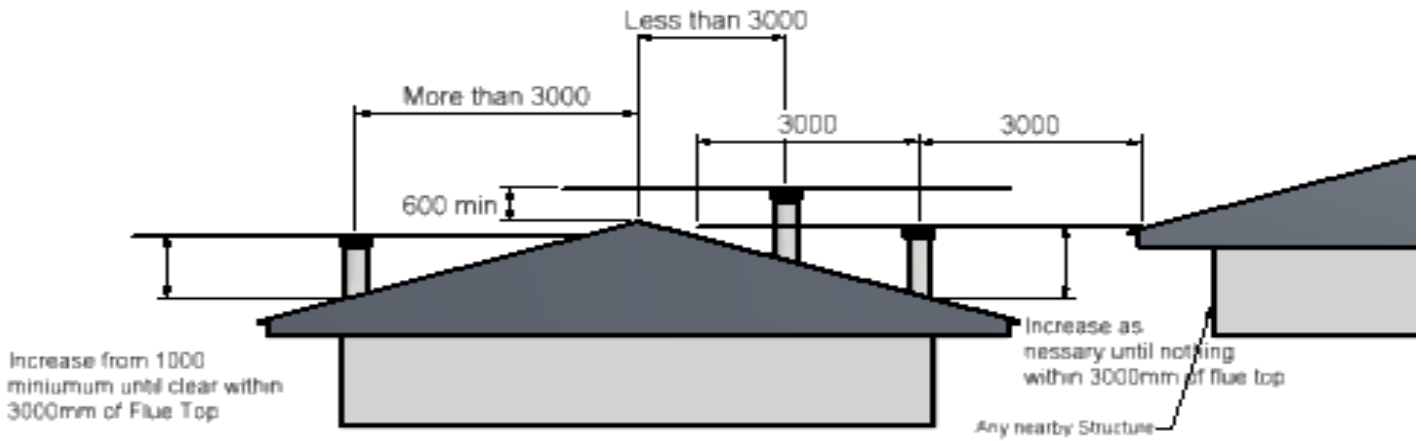
- STAGE 1:** Locate heater in its proposed position and mark a point on the ceiling that is directly above the centre of the heater's flue outlet. Check that the heater's location allows the **Outer Casing** to clear all structural roof timbers.
- STAGE 2:** Cut a 250mm square hole in ceiling. Directly above, cut a hole in roof to accommodate **Outer Casing**.
- STAGE 3:** Fit timber nogs around ceiling and roof holes, i.e. Nogs form a 250mm square aperture, which allows air to circulate freely over the **Outer Casing** surface.
- STAGE 4:** Position the **Outer Casing** so that it is flush with the underneath of the ceiling and protrudes through the roof the required height (Refer to AS/NZ 2918:2001 if more details are required. When calculating roof penetration height, allow for an extra 500mm that can be achieved by using the **Outer Casing Slip Extension**.
- A:** If the flue is within three metres of the ridge, the **Outer Casing** must protrude at least 600mm above the ridge of the roof.  
**B:** If the distance from the ridge is more than three metres, the **Outer Casing** must protrude at least 1000mm above roof penetration.
- STAGE 5:** Fix an appropriate flashing around the **Outer Casing** to seal onto the roofing material.
- STAGE 6:** Assemble **Flue Pipes** together ensuring seams are in line. Secure each joint with three rivets or self-tapping screws. **Flue Pipes** must be assembled with crimped ends down (towards heater).
- STAGE 7:** Place **Ceiling Plate** over heater flue spigot, ensuring the folded edge up stands are facing ceiling.
- STAGE 8:** From the roof, lower **Flue Pipes** through **Outer Casing** into position. Ensure not to scratch the Hi Therm Flue coating. The Hi Therm Coating can be touched up with an approved Spray can (Stovebright). **NOTE: Some fires require the crimped end of the flue that fits into the Fires flue spigot to be trimmed back to from a snug fit. Seal flue to Fire box spigot.**
- STAGE 9:** From the roof, slide the **Inner Casing** into the **Outer Casing**, around the flue, until it rests 12mm above ceiling level on the **Swage Ring of the Outer Casing**.
- STAGE 10:** Before securing the **Outer Casing Slip Extension** to the **Outer Casing** with three rivets or self tapping screws, ensure the **Flue Pipes** extends above the top of the **Outer Casing Slip Extension** 145mm APPROX. The fitment of the **Cowl, Flashing Cone** and **Flue** is required to form a seal by the flange on the **Cowl**. Adjust **Slip Extension** to obtain this measurement. If minimum roof penetration heights described earlier can not be achieved, add sufficient stainless steel **Flue Pipe**.
- STAGE 11:** Fit **Top Spacer Bracket** to the **Flue Pipe** making sure the lugs fit snugly inside **Outer Casing Slip Extension**. Make sure **Top Spacer Brackets** fits hard down onto **Outer Casing Slip Extension**.
- STAGE 12:** Fit **Flashing Cone** over the **Flue Pipe** and push down firmly onto **Top Spacer Bracket**. Optional to secure with a rivet or self-tapping screw. The **Flashing Cone** should be flush with or 5mm above the finished **Flue Pipe**.
- STAGE 13:** Fit **ADD Cowl** but do not secure permanently, as removal for flue cleaning will be necessary. The **Cowl** will fit tight down onto the **Flashing Cone** forming a seal—ensure that the seal is formed. (The **Cowl, Flashing Cone** and **Flue** can be secured with a Stainless Steel screw but provision must be made for the removal of the **Cowl** for cleaning of the flue system.
- STAGE 14:** Fasten **Ceiling Plate** to ceiling using screws and spacers provided. Ensure an even air gap around **Flue Pipe** when fixing. Remove protective plastic from **Ceiling Plate**.  
**N.B.** 12mm air gap between ceiling plate and ceiling must be maintained.
- STAGE 15:** Fit of the Flue Shield, fit **Bracket** to **Flue Pipe** above firebox and the bracket into the flue spigot on the fire.. Attach **S/S Reflector** to **brackets**, ensure that the plastic coating is removed from all the surfaces before lighting the fire.
- N.B.** It is the responsibility of the installer to ensure that the installation of the flue kit complies with AS/NZ 2918:2001, the appliance manufacture's specifications for flues and that relevant Local Body requirements are adhered to.

**NOTE:**  
 Ensure that a Standard Tested Warmington Flue system is used on the Warmington fires.



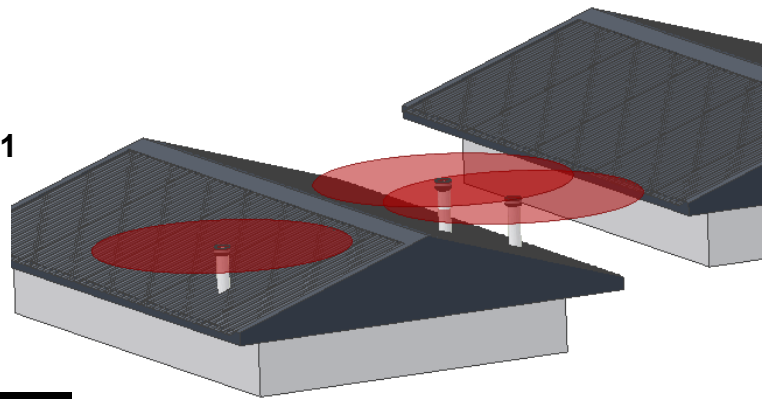
Due to continued product improvement, Warmington Ind LTD reserves the right to change product specifications without prior notification.

**FLUE HEIGHT MINIMUM DETAILS**



The flue exit is to comply to AS/NZS 2918: 2001

**3D View**



**FLASHING—TO COMPLY TO THE BUILDING CODE (E2)**

**Note: ROOF FLASHINGS GENERAL:**  
 Flashing are to be complaint to the building code and the design will vary depending on the type of roof.  
 Each installation is unique and your Installer will advise of the most appropriate flashing method to comply.

**FRAME OUT - TRIM OUT DETAILS FOR FLUE SYSTEM**

**Note: FLUE SYSTEMS Casing....**  
 Flue system may require to be Doubled lined to comply. Ref AS/NZS:2918:2001 4.3 Flue pipe casing

**Note :**

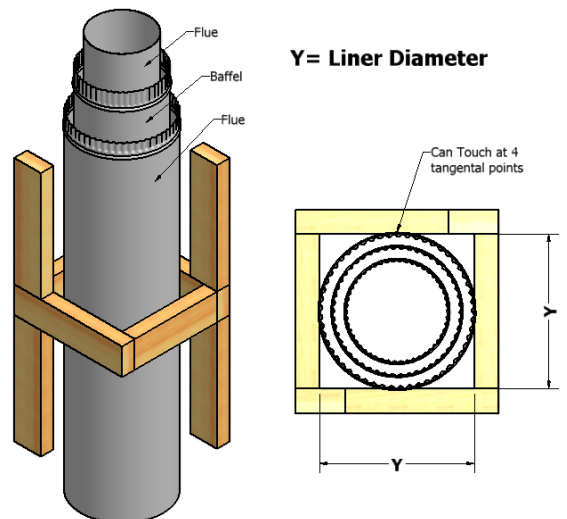
External Requirements  
 Refer to AS/NZS2918:2001 4.9.1

Install Flue system to AS/NZS2918:2001

When using a rubber or Bitumen flashing (Butynol, Dectite) an Additional Flue pipe Baffle is required.

All external air vents & ceiling penetrations must be bird proofed with permanently fixed screens.

All flashing to comply with E2.





## GENERAL INFORMATION & OPERATION

### 1. Double Skin

The 46L & 70L Fires are Convection Stoves – it has an inner and outer skin whereby room air flows between the surfaces, thus becoming hot and efficiently heating the room. Because the outer skin stays relatively cooler, this type of Stove is much safer than a Full Radiation Stove (i.e. Pot Belly) the top & side surfaces will get hot.

### 2. Burns Twice

This statement is applied to many modern stoves. The combustion chamber is very efficient – air and volatile gases mix together and are more fully burnt. Spent gases exit through the flue.

### 3. Burn Control and Operation

The Primary Air Intake above the door controls the amount of air drawn into the Stove & thus the Combustion Rate.

- When lighting the stove, the primary air intake should be fully open (Slide the air control out to the right).
- Place paper or fire lighters into the base of the firebox.
- Arrange kindling on top of paper or firelighters, allowing air to move easily through the kindling.
- Light the fire around the base to ensure good ignition of paper or firelighters.
- Leave the door ajar 5 to 10 mm to aid with speedy ignition of the fire. **Do not run the fire for long periods with the door ajar as damage may result.**
- When the fire is happily burning the main fuel loads can be placed into the fire, from the front to the rear in a lined pattern, ensuring that the flames can easily move through the fuel load. **(Max Tested Fuel Load 4.3 kg (46L) - 6.7 kg (70L)) Approx.**
- Close the door to ensure a seal to the firebox.

Once the fire is fully established and burning brightly the air supply can be considerably reduced to control heat output (and fuel consumption). Note, the air control is designed such that even when fully closed some air still enter the firebox. This keeps unwanted flue emissions to a minimum.

### Removing ashes

When you use your fire for a few weeks you will find ashes accumulate in the firebox. The ashes can be removed easily through the fire door when the fire is at its lowest, such as first thing in the morning, or when it is completely out. The amount of charcoal in the ash is often a good indicator of how well you are operating the heater. If there is no charcoal and only very fine ash then you are doing an excellent job. If there is a lot of charcoal you may be turning the combustion air down too soon after refueling, or not raking the charcoal to the combustion air inlet, or turning the combustion air down too low to support efficient combustion, or all of the above. Warmington wood-burning appliances work best when a small amount of ash is left approximately 25mm deep in the firebox after cleaning, this aids with stable burning. The ash should be placed in a noncombustible container with a tightly fitting lid and moved outdoors immediately to a location clear of combustible materials.

### 4. Cooking

Because the top of the fire is in direct contact with the flame, it offers a large cooking surface. Ideal for entertainment at home or cooking for holiday homes and farm cottages. If spillage occurs, clean the surface with a soft cloth and dish washing liquid, avoid scratching the surface.

### 5. Storing/Drying Fuel

Damp Wood is dried naturally while it is stored. Use dry timber preferably cut and stored under cover the previous year.

### PURCHASING THE FIREWOOD

The quality of the firewood you burn can have a dramatic effect on the efficiency and operation of the heater. The main factors that affect the burning characteristics of firewood are moisture content, tree species and piece size.

The moisture content of the wood affects the rate at which burns and the efficiency of combustion. When trees are cut, wood moisture content ranges between 35 and 60 percent by weight. If you attempt to burn wood this wet, it will be hard to ignite, slow to burn and will hiss and sizzle in the firebox. So much energy will be consumed in boiling off the excess water that the efficiency of combustion and the heat to your home will be low, condensation and corrosion may be occurring in the flue and smoke may be causing problems to your neighbours. Properly seasoned wood ignites readily and burns efficiently.

**Firewood should be cut and split in the early spring and stacked under cover, with good ventilation, to be ready for burning when required.**

Look and check for cracks in the end grain as a sign of dry wood. The stacks of firewood should be in an open area so that air can circulate between them. During the summer, as warm breezes flow through the stacks, carrying away the evaporating water, the moisture content of the wood will fall to around 20 percent. At this moisture content the wood is ready for burning.

Although the energy content of dry wood per kilogram is almost the same regardless of species, softwoods and hardwoods burn differently because of differences in density. Softwoods, such as pine, are less dense than hardwoods like gums, Manuka or ironbark. A denser wood will produce a longer-lasting coal bed, while a less dense wood will bring a fire to an optimum burning temperature more quickly.

The size of the firewood pieces affects the rate of combustion. Larger pieces ignite and release their energy more slowly than small pieces. Smaller pieces are better for short, hot fires and larger pieces are preferable for extended firing cycles. In general, commercial firewood dealers produce firewood in larger pieces than modern wood-burning appliances can handle. It is often necessary to split some of the wood again before using it.

Firewood harvesting can have an effect on native woodlands and a variety of threatened species. Dead standing and fallen timber provides habitat for numerous species of animals and birds. Wood heater operators should be encouraged to be sensitive about the source of their firewood. If collecting it privately, operators should leave some dead wood behind as it provides habitat for birds and animals.

## GENERAL INFORMATION & OPERATION

### 6. Heat Output

A maximum peak heat output of approximately 9 - 15 kW can be expected with dry wood. Due to the clean air requirements there is reduced control of the minimum heat output and the fires have limited burn periods. The height of the flue system can have an effect on the draw, control and burn periods of the fire. The stove can heat an area of approximately 150 - 250 sq metres.

**NOTE :** The condition, moisture content and type of wood burned will have a direct result on the performance of the fire.

**A Rural fire that can burn for longer periods can be ordered, but contact your local council for Installation and Clean air compliance requirements.**

### 7. Construction

The firebox is constructed from 6mm steel plate with some fairings made from 1.6mm steel. The outer skin and tray are constructed from 3mm and 1.6mm steel plate. The unit has a formed steel door and 5mm Robax glass.

### 8. Finish

High temperature steel parts are finished with a matt black high temperature paint designed to withstand the rigors of normal combustion.

### 9. Glass Door

When in operation, the full beauty of the combustion process can be seen through the large ceramic-glass window. This window is kept clean by the inlet air passing from top to bottom over the glass. Any build up of residue that may occur on the glass can be removed with a mild abrasive liquid cleaner or proprietary stove glass cleaner. Wet wood is more likely than dry wood to produce window-marking emissions.

### 10. Testing and Clean Air Approval

The 46L & 70L range of fires have been tested and approved to ASNZS 2918:2001 specifications for solid fuel burning heaters and also to AS/NZS 4012 giving compliance with MFE (Ministry for the Environment New Zealand) clean air requirements in New Zealand and Australia. The stove has not been designed to operate with the door open for long periods. Clean air testing is conducted with the door closed. See the attached Data sheet on page 2, 3 and 4 and the data plate attached to the Fire. Contact with your local TA (Territorial Authority) to check for local compliance.

### 11. Flue System

The installation and construction of the flue system must comply with ASNZS 2918. The fire requires a **Warmington Tested and approved flue system only**, as tested to ASNZS 2918. The tested flue system should not be modified in any way without the written approval of the manufacturer. Any additional flue components to the flue system must comply with ASNZS 2918.

### 12. Floor Protection— “ASH”

Floor protectors are normally designed to suit each individual “setting”. The installation and construction of the floor protector must comply with ASNZS 2918. The fire requires an “ASH” (Floor Protector) as needed for some types of wood burners.

### 13. Maintenance

**The operation, components and general condition of the fire and flue system need to be checked annually, or more frequently if required. Repair or replace parts when necessary. For more information, contact your local Retailer.**

**The chimney and firebox are to be cleaned annually or more frequently if required.**

#### Chimney Maintenance:

To clean chimney, remove flues cowl assembly from the top of the flue system, and the baffle system inside the top of the firebox. Make sure the door is closed on the fire. Use a chimney brush to clean the flue from the top down. Remove soot/ash from the firebox (see instructions in this document).

#### Firebox:

Keep your stove clean by polishing all over with a soft cloth when unit is cool. In humid climates more interior firebox corrosion will occur in non-use summer months than in winter. The stoves life can be greatly extended by cleaning the firebox interior at the end of winter and spraying with Stovebright high temperature black paint.

### 14. Wetback (Wetbacks may NOT be allowed to be fitted to fires that are installed in any area that falls under clean air regulations, contact your local territorial authority for local compliance)

On special order a wetback model can be supplied. This unit acts as a hot water booster, producing between 1 & 2.5kW. The wetback sits above the firebox baffle. The inlet and outlet are at the fire back and require standard 25mm pipe connections to the threaded brass pipe of the wetback. Inlet and outlet pipes are at different height, cold supply is lower and the Hot return is the higher, and needs to be correctly connected by the plumber. **Note: Not all fires have the provision for a Wet Back.**

## GENERAL INFORMATION & OPERATION

### 15. Suggested procedures for soot or creosote fire

#### In the event of a soot or creosote Fire

- Alert all the people in the house. Either have them leave, or be ready to leave.
- Call the fire department.
- Suppress the fire the best you can until the fire department arrives, being careful of your own safety. Be sure you always have a way out of the house should the fire get out of hand.

#### If you can, being careful of your own safety:

- Close the air inlet (s) of the appliance.
- Discharge a dry chemical household fire extinguisher into the appliance

Use a chimney fire extinguishing product (water on the base of the fire will turn to steam and aid to put out the fire)

### 16. Warranty - for full details and conditions on product Warranties, contact your Authorised Retailer.

The Fire is guaranteed against faulty workmanship and materials for a five-year period.

The black surface while extremely durable and long lasting may need buffing lightly with a soft cloth from time to time to retain its colour and appearance or touching up with an approved high temperature paint i.e. Stovebright.

#### Not included in warranty: (List of Warmington Genuine Replacement Parts)

1. Glass in the door (Robax glass 5mm)
2. Door Seal Rope
3. Internal Baffle System (Consumables)
4. Back & Sides Vermiculite Board Bricks (Consumables)
5. Flue System
6. Paint (Stovebright)

### 17. Installation

The Fire is to be Installed by an Approved Warmington Installer or a Certified SFAIT NZHHA Installation Technician . See [www.homeheat.co.nz/members](http://www.homeheat.co.nz/members) for a Certified SFAIT NZHHA Installer in your area .

## GENERAL INFORMATION ON PAINT & FINISHING

Information on the paint coating is on the web site: [http://www.forrestpaint.com/stovebright/troubleshooting\\_guide1.html](http://www.forrestpaint.com/stovebright/troubleshooting_guide1.html)

#### When lighting the fire for the first time:

Ventilate the house during the first three times the stove is used. The paint on the stove will give off smoke heavy with carbon dioxide and has an odour. Without adequate ventilation, concentrations of smoke could irritate, or be upsetting. Babies, small children, pregnant women and pets should not be in the area due to these carbon dioxide fumes causing an imbalance in the air quality. Open doors and windows and use a fan if necessary. After these initial burns, the paint will be set and there should be no more smoke.

Don't touch the surface. It will be soft and gummy during this phase. Once set, it will not be soft again.

Most stoves stop smoking after 3 burns. The first two should be at 250 F (121 C) for 20 minutes or about half a normal fire. Do not let the stove cool down significantly between burns. The last fire should be between 260 C (500 F) and 371 C (700 F) for at least 45 minutes. The point being, operate slowly without a hot fire. If the stove gets too hot, too quickly, the paint will crack.

Leave the door ajar during this first burn process to keep the gasket from sticking to the door jam.

Stoves with a cooler surface temperature and those that were previously painted with another colour will take longer to set.

This process can usually be observed by the effect of the paint turning flat as the heat radiates out from hotter parts of the stove.

#### Summary on Setting High Temp Pain:

Read Stove Manufacturer instructions.

Babies, small children, pregnant women and pets should leave the area during the paint setting phase.

Ventilate well.

Paint surface will look "wet" and will smoke.

Do not touch paint surface during this process.

Set slowly with successive burns.

**Contact your local Warmington Retailer if you have any other questions.**

**GENERAL NOTES : ASNZS 2918 : 2001**

**NOTES:**

- Warranty - for full details on product warranties, contact your local Authorised Warmington Retailer.
- For the Fire Operational and Maintenance Instructions visit [www.warmington.co.nz](http://www.warmington.co.nz) and up load the PDF.
- Correct installation, operation and maintenance must be maintained to comply with Warmington Warranty's.
- The Appliance and Flue System must be Installed in accordance with ASNZS2918:2001 and the appropriate Building codes.
- The Flue system and Fireplace is to be swept annually or more frequently if required.
- The Appliance and Flue System has been tested to ASNZS2918:2001.

**WARNINGS:**

- **WARNING; ANY MODIFICATION OF THE APPLIANCE THAT HAS NOT BEEN APPROVED IN WRITING BY THE TESTING AUTHORITY IS CONSIDERED AS BREACHING AS/NZS : 4013.**
- **WARNING; DO NOT USE FLAMMABLE LIQUIDS OR AEROSOLS TO START OR REKINDLE THE FIRE.**
- **WARNING; DO NOT USE FLAMMABLE LIQUIDS OR AEROSOLS IN THE VICINITY OF THIS APPLIANCE WHEN IT IS OPERATING.**
- **WARNING; DO NOT STORE FUEL WITHIN HEATER INSTALLATION CLEARANCES.**
- **WARNING; WHEN OPERATION THIS APPLIANCE AS AN OPEN FIRE USE A SPARK SCREEN.**
- **CAUTION:** THIS APPLIANCE SHOULD BE MAINTAINED AND OPERATED AT ALL TIMES IN ACCORDANCE WITH THESE INSTRUCTIONS
- **CAUTION:** THE USE OF SOME TYPES OF PRESERVATIVE-TREATED WOOD AS A FUEL CAN BE HAZARDOUS.

Model	Estimated kW	Average kW
46 L Fire	16kW	9 kW
70 L Fire	TBA	TBA

Tested Fuel Load (Softwood)	Kg	Fire Box Litres : Approx.
46L	up to 4.35kg	46
70L	TBA kg	TBA



Industries 1994 LTD  
PO Box 58652, Botany 2163, Auckland

[www.warmington.co.nz](http://www.warmington.co.nz)

Due to continued product improvement, Warmington Ind LTD reserves the right to change product specifications without prior notification.