

Warmington

the future of fireplaces



Southern Series fires Lewis - Lindis - McKenzie & Cardrona Cooker



The Southern Series fires were designed for our cold southern climate conditions, with a large firebox to give maximum heat. The fires can be used for cooking and heating, and with the option of a wetback, ensure hot water during power cuts, and big savings on your power bills.

The Cardrona Cooker model is a heater/oven/stove and is perfect for rural New Zealand homes with its high heat output and large cooking oven.

Features and Benefits:

- Rugged, robust and reliable
- Freestanding for easy installation
- Clean air approved models
- Large radiant cook top
- Optional wetback and rural model available
- Proudly New Zealand made
- Cardrona Cooker with oven model



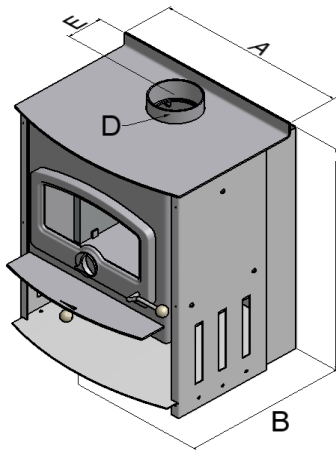


The Lewis, Lindis and McKenzie models meet the required New Zealand standards for emission control. Designed to heat large areas with a double burning system, and option of wetback and hot water boosters.

THE DETAILS BELOW ARE A GUIDE ONLY AND NOT TO BE USED FOR INSTALLATION:

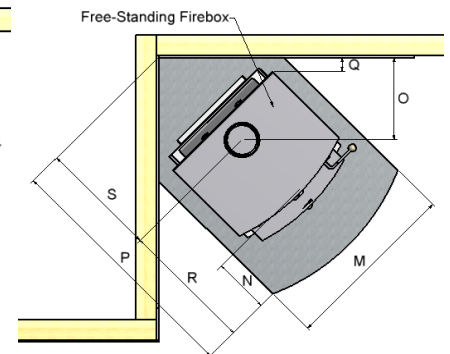
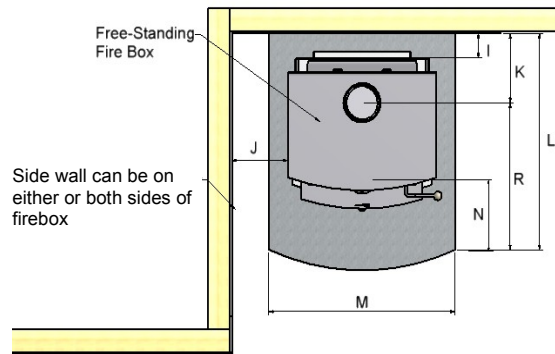
Must be installed by a Certified NZHHA Installer and comply with AS/NZS 2918.

For full dimensions and installation details, please check our website www.warmington.co.nz for current specifications.



C

Side wall can be on either or both sides of firebox



Description		Lewis	Lindis	McKenzie
Cabinet Width	A	580	660	660
Cabinet Depth	B	580	580	680
Cabinet Height	C	860	860	860
Flue Diameter	D	150	150	150
To Flue Centre	E	191	191	191
Minimum Ceiling Height	F	2400	2400	2400
Minimum from fire to Ceiling	G	1500	1500	1500
Height from Floor Protector	H	4600	4600	4600
Emission Levels (g/kg)		0.81	1.19	1.46

Description		Lewis	Lindis	McKenzie
To Wall Behind	I	100	100	100
To Wall Side	J	250	300	350
To Flue Centre	K	288	288	288
Hearth Depth	L	904	904	1004
Hearth Width	M	760	830	830
Hearth Projection*	N	300	300	300
To Flue Centre	O	363	391	425
Hearth Depth	P	1129	1169	1318
To Wall Side	Q	66	66	100
Hearth Projection**	R	616	616	716
To Flue Centre	S	513	553	601

* Measurement taken from front ash lip
 ** Measurement taken from flue centre

Cardrona Cooker specifications available from website: www.warmington.co.nz

Available from Authorised Agents nationwide, or phone: 09 271 0891 for more information.



www.warmington.co.nz

