

1. Double Skin

The Southern Series Firebox is a radiant/convection stove – it has an inner and outer skin whereby room air flows between the surfaces, thus becoming hot and efficiently heating the room.

1a. a convection air plenum is positioned on the rear of the firebox which is directed through a duct across the top of the heater moving hot air through the room.

2. Burn Control

The air intake disc on the door controls the amount of air drawn into the fire increasing the combustion rate when lighting the fire. Once the fire is happily burning the disc can be shut off and the air control lever (at the front of the unit) can be used to control airflow – increasing or reducing heat output (and fuel consumption). Load the fire with wood, open the air control briefly to allow fire to burn brightly and then close the air intake to achieve a gentle rolling flame. Note, the air control is designed such that even when fully closed some air still enters firebox. This keeps unwanted flue emissions to a minimum. Allowing 20 or 30 mm of ash to build up in the firebox base aids stable burning.

3. Cooking

The top of the fire is designed to hold and maintain heat, therefore it offers a large cooking surface. If spillage occurs, clean the surface with a soft cloth and dish washing liquid, avoid scratching the surface.

4. Storage/Drying/Fuel

The space below the firebox can be used as a wood storage and drying area. Use dry timber preferably cut the previous year. Softwoods such as pine produce a short high temperature fire while harder woods such as teatree and gum burn longer.

5. Heat Output

Heat output is dependent on the fuel being burned. A maximum heat output of this series is approximately from 15-25kW can be expected with dry wood heating an area of approximately 150-250 square meters.

6. Construction

The firebox and door are constructed from 6mm steel plate. The outside skin and tray are constructed from 3mm steel plate. High temperature steel parts are finished with a matt black high temperature paint designed to withstand the rigors of normal combustions

7. Glass Door

Any build up of residue that may occur on the glass can be removed with a mild abrasive liquid cleaner or proprietary stove glass cleaner. Wet wood is more likely than dry wood to produce window marking emissions.

Ensure That You Have The Correct Installation Details For The Size of The Warmington Fire That is to be Installed.

8. Testing and Clean Air Approval

The Southern Series Range has been tested and fully approved to NZS7421:1990 // ASNZS2918:2001 specifications for solid fuel burning heaters and also to NZS7402/AS4012 giving compliance with clean air requirements of New Zealand and Australia. The stove is not designed to be operated with the door open for long periods. Clean air testing is conducted with the door closed.

9. Floor Protector

The Southern Series Range requires a "Floor Protector" with installation to comply with NZS7421:1990 // ASNZS 2981:2001

10. Maintenance

Chimney maintenance:

To clean chimney, remove cowl assembly and the baffle system from inside the top of the firebox. Make sure door and baffle are closed on the fire. Use a chimney brush to clean the flue from the top down. Remove soot/ash from the firebox.

Firebox:

Keep your stove clean by polishing all over with a soft cloth when unit is cool. In humid climates more interior firebox corrosion will occur in non use summer months than in winter. The stoves life can be greatly extended by cleaning the firebox interior at the end of winter and spraying

11. Warranty

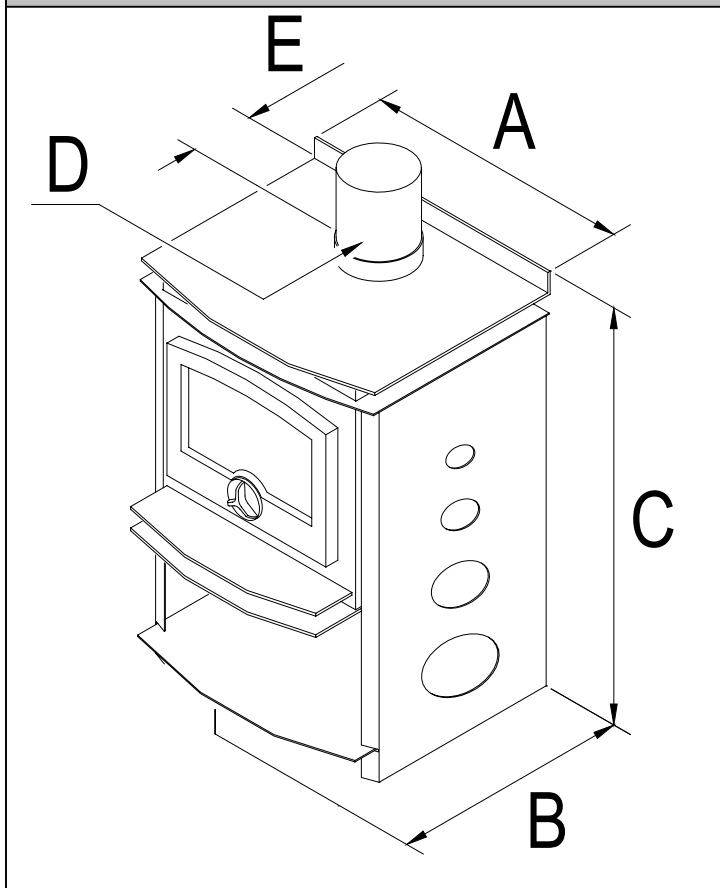
The Southern Series Range is guaranteed against faulty workmanship and materials for a five-year period. The black surface while extremely durable and long lasting may need buffing lightly with a soft cloth from time to time to retain its colour and appearance or touching up with an approved high temperature paint i.e. Stovebright.

Not included in warranty: Glass door, door seal ,internal baffle or bricks. Wet backs have separate warranty.

12. Installation

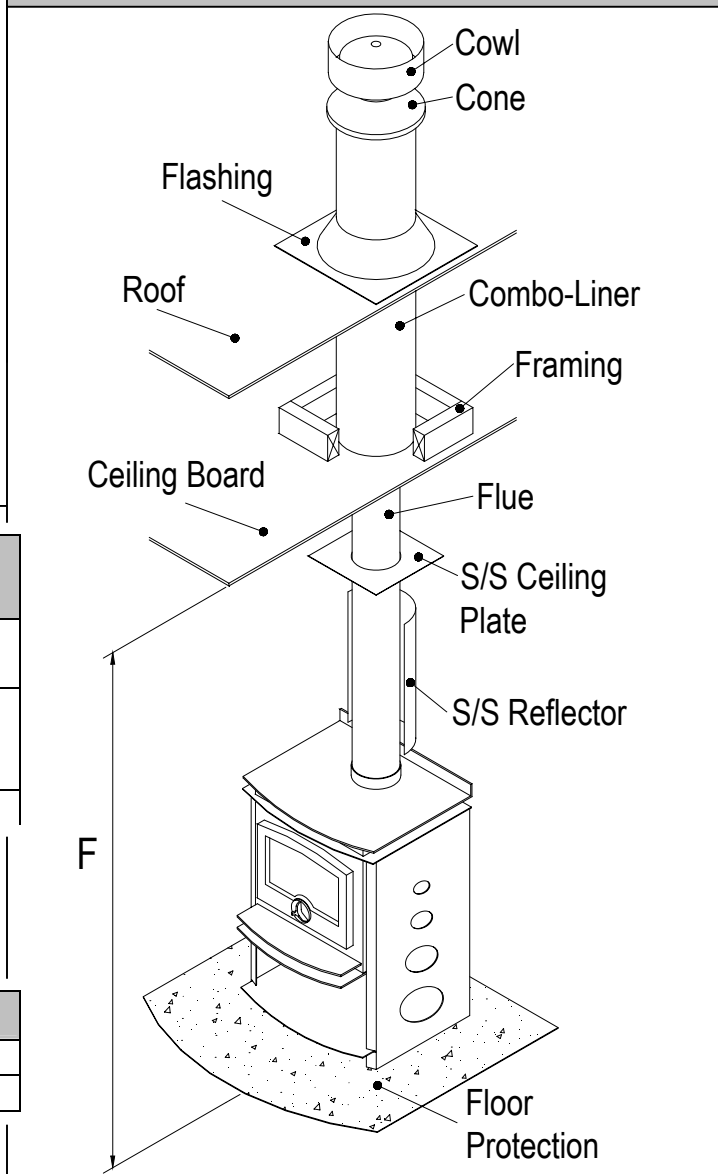
The Southern Series Range are to be installed by a certified Warmington installer.

Firebox Dimensions



Description	Lewis	Lindis	McKenzie
Cabinet Width	A 580	660	710
Cabinet Depth	B 583	583	583
Cabinet Height	C 891	911	931
Flue	D 150	150	150
To Flue Centre	E 159	159	159
Minimum Ceiling Height	F 2400	2400	2400
Emission Levels (g/kg)	<4	<4	<4

Firebox with Flue System



Note: Floor Protection

Floor protectors are normally designed to suit each individual "setting".

The Southern Series Range requires a floor protector as needed for some types of wood burners.

Flue installation details from flue kit.

Minimum Flue Height	
Flue Height	3600
Measured From Top of Cabinet	C

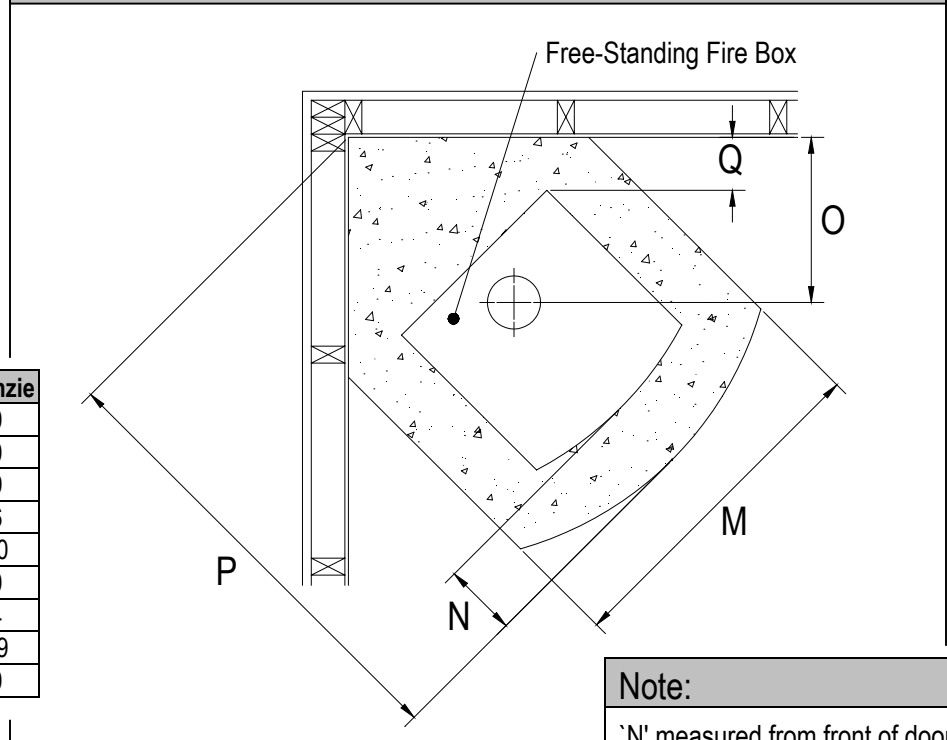
Flue and fire to comply to NZS 7421:1990 // ASNZS 2918:2001

All dimensions in millimeters (mm)
All dimensions are minimums

Check List

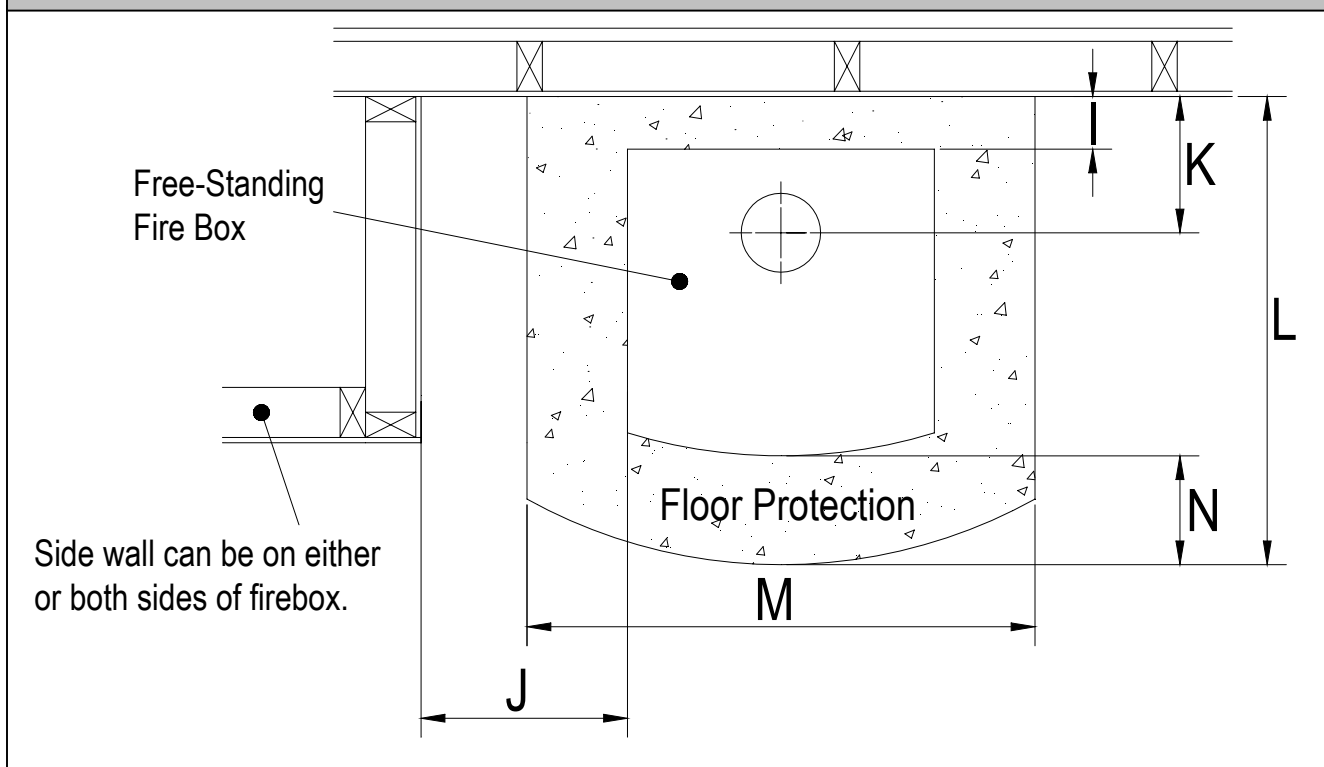
Bricks	
Brick Retainer	
Holding Down Bracket	
Baffle	
Promotec	
Fit Baffle Plate / Promotec	
Fit Bricks / Retainer	
Check Door Seals	
Check Damper Handle	
Packed / Checked by	

Plan View Of Cabinet Clearances (Corner)



Description	Lewis	Lindis	McKenzie	
To Wall Behind	I	100	150	180
To Wall Side	J	400	400	450
To Flue Centre	K	259	309	339
Hearth Depth	L	916	966	996
Hearth Width	M	960	1040	1090
Hearth Projection	N	300	300	300
To Flue Centre - Corner	O	418	496	624
Hearth Depth - Corner	P	1248	1358	1539
To Wall Side - Corner	Q	150	150	260

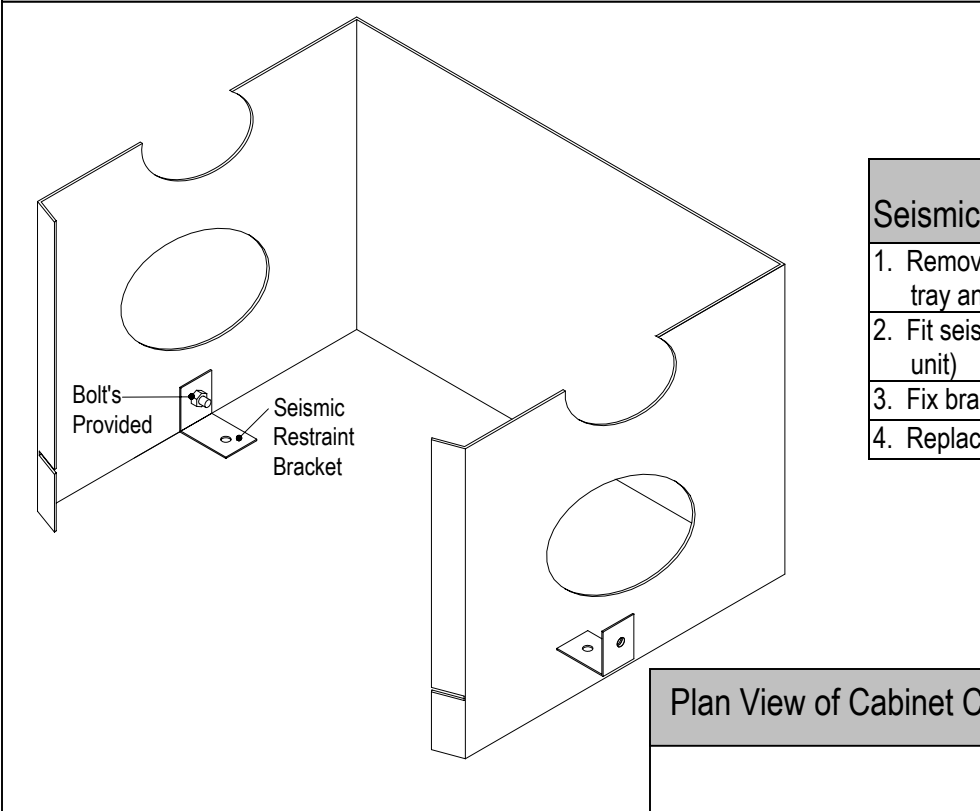
Plan View of Cabinet Clearances



INDUSTRIES 1994 LTD.

All dimensions in millimeters (mm)
All dimensions are minimums

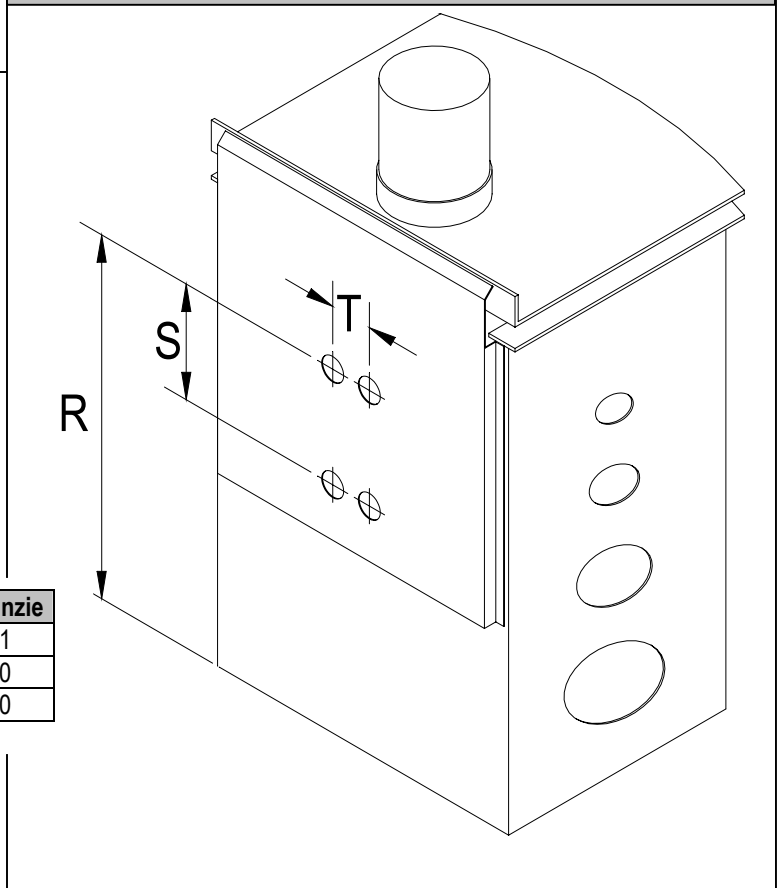
Plan View of Cabinet Clearances



Seismic Restraint Fixing Instructions

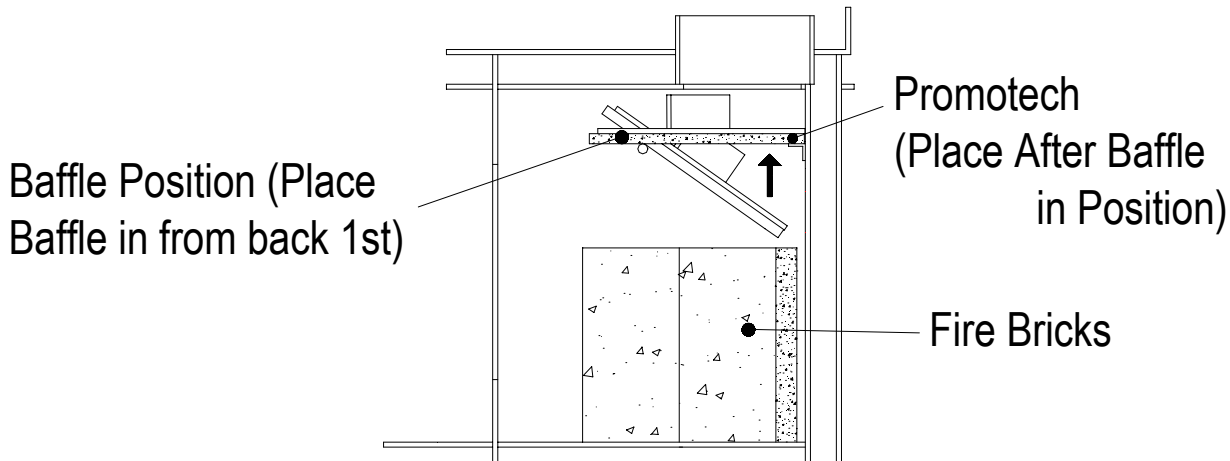
1. Remove bottom tray (Remove bolt at back of tray and slide shelf out)
2. Fit seismic restraint bracket (on both sides of unit)
3. Fix bracket to floor through the hearth.
4. Replace bottom shelf and bolt.

Plan View of Cabinet Clearances

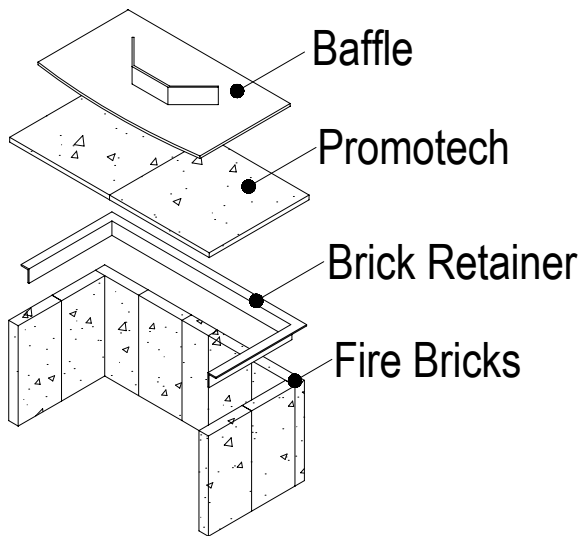


Description		Lewis	Lindis	McKenzie
Height from Bottom of Unit	R	611	631	651
Distance Between Outlets (Vert)	S	190	190	190
Distance Between Outlets (Horiz)	T	70	150	200

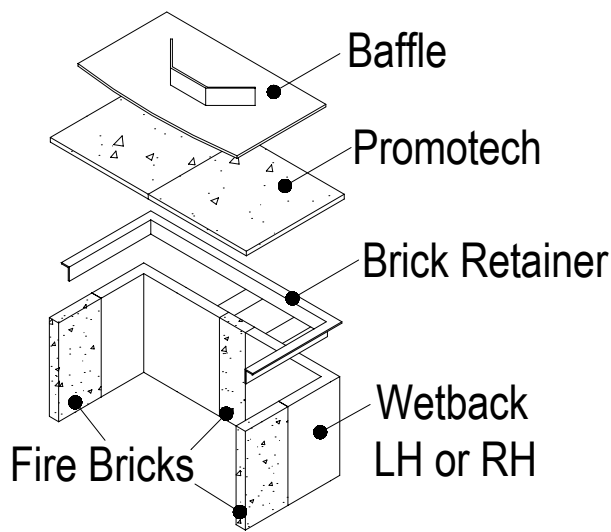
Baffle Position



Installation



Installation (With Wetback)



Baffle Position (With Wetback)

