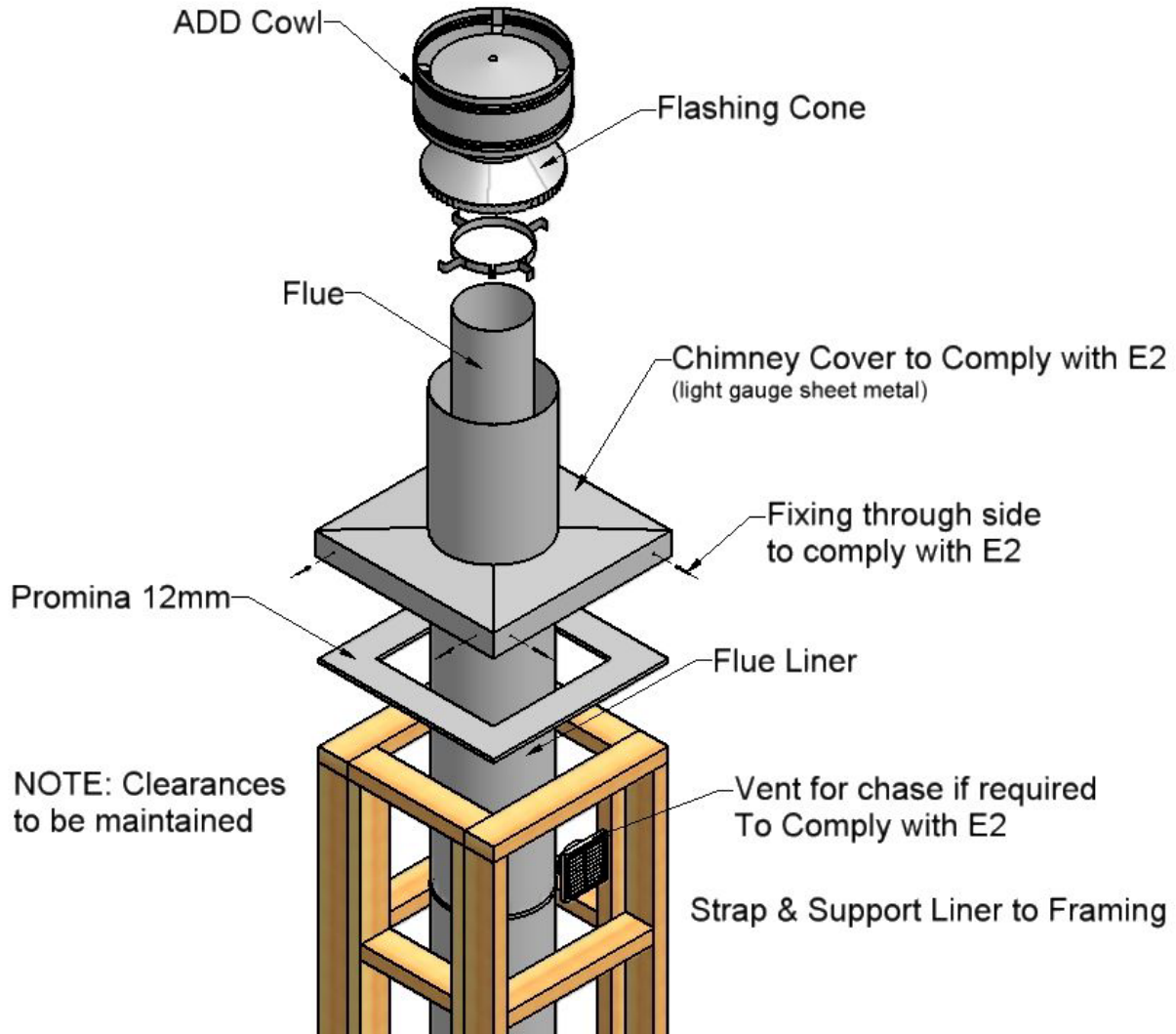


# ***Solid Fuel Flue Kit/Chimney Flashing Detail .***

## **Installation Guide Only** **General Chimney Chase Flashing** **Lay Out**



**Effective From 1<sup>st</sup> September 2005 Tested to ASNZS 2918:2001**

**Visit [www.warmington.co.nz](http://www.warmington.co.nz) for Spec's, DWG's and PDF uploads of fires**

### **Flue system and instructions to comply with ASNZS 2918:2001**

Keep these Instructions for further reference.....Ensure that you have the correct and current installation details for the Warmington Fire

#### **Installation**

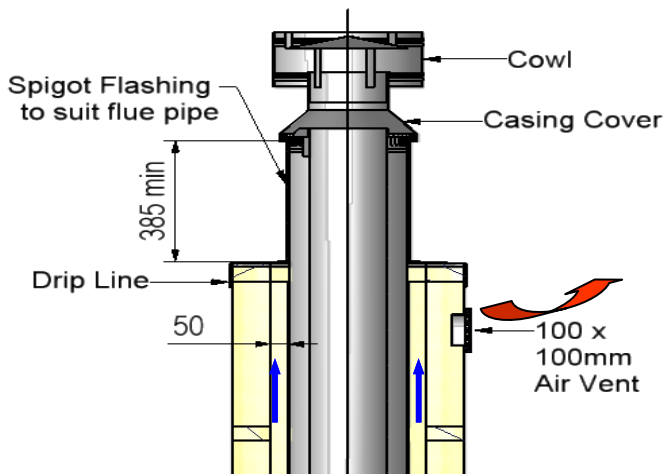
The Warmington unit is to be installed by a Certified Warmington Installer or a Certified NZHHA SFAIT Installation Technician .  
See [www.homeheat.co.nz/members](http://www.homeheat.co.nz/members) for a Certified NZHHA SFAIT Installer in your area .

#### **IMPORTANT**

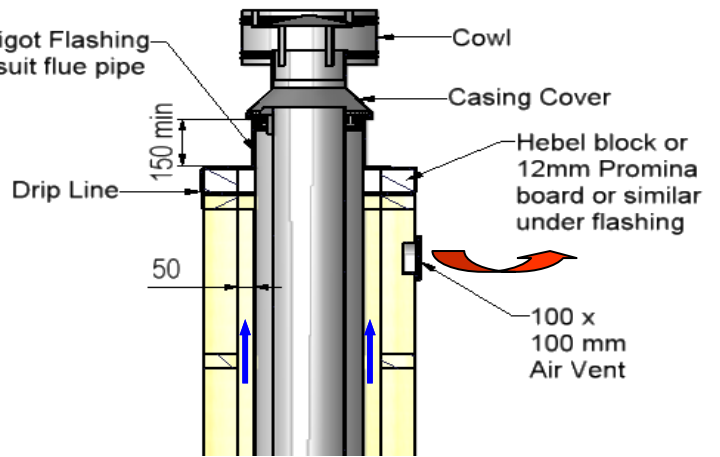
Read all the instructions carefully before commencing the Installation. Failure to follow these instructions may result in a fire hazard and void the warranty

**CHIMNEY CHASE FLASHING DETAILS**

**VENTING THROUGH CHIMNEY CHASE**



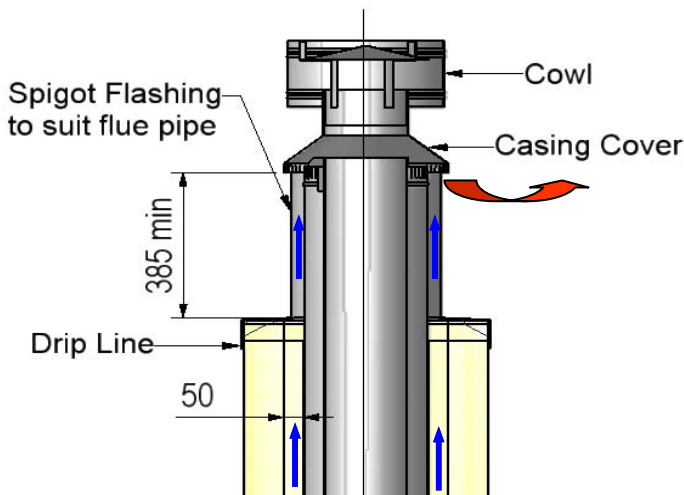
**“No Insulation under flashing”**



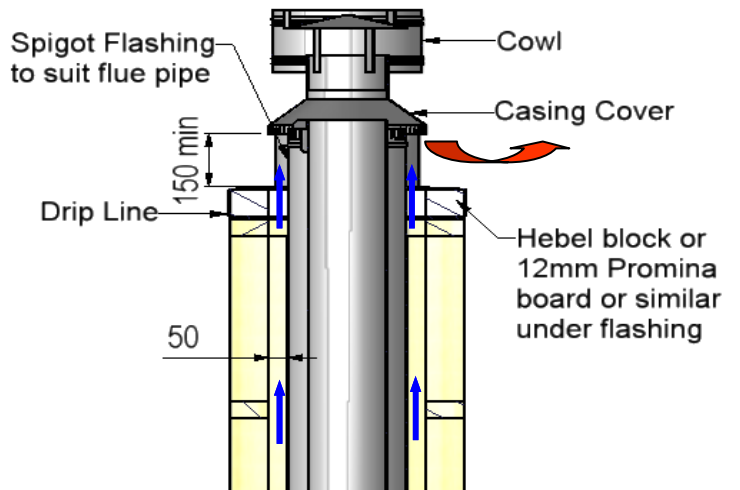
**“Insulation under flashing”**

**“CHIMNEY CHASE FLASHING” AND “AIR VENTILATION” OPTIONS :**

**VENTING THROUGH FLASHING**



**“No Insulation under Flashing”**



**“Insulation under Flashing”**

**Note:**  
Flashing Spigot Height is determined by the Insulation that is fitted under the Flashing ... See Details at bottom of page.