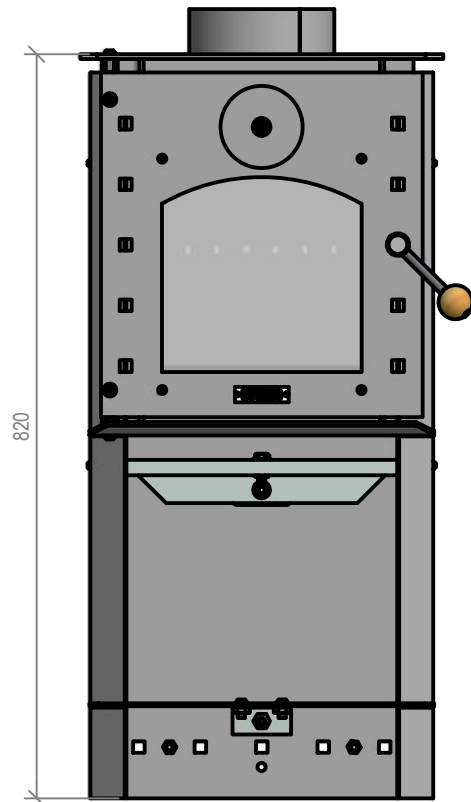
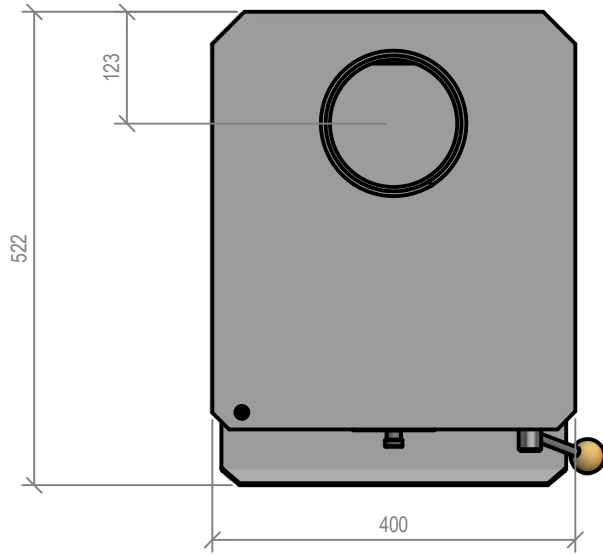


Plan Elevation



Front Elevation

Warmington Studio Fire

Warmington Studio Firebox .

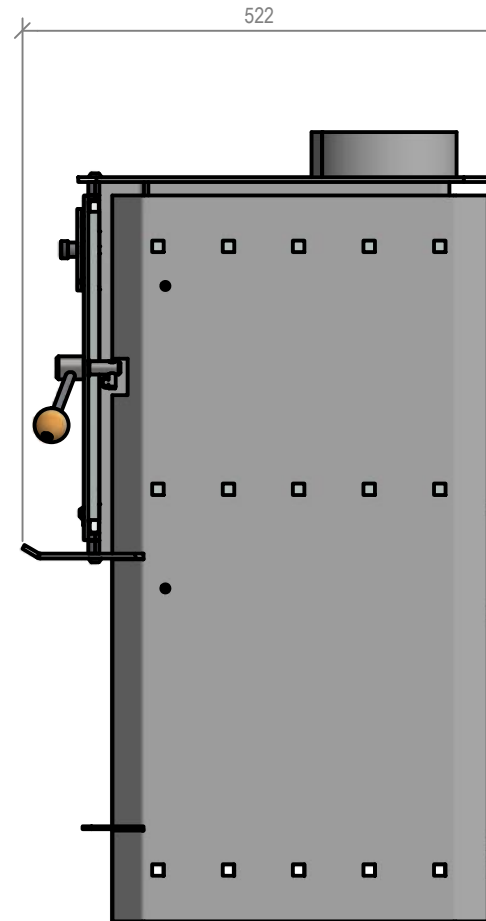
Fire & Flue System to comply with AS/NZS 2918:2001.

Due to continued product improvement, Warmington Ind LTD reserves the right to change product specifications without prior notification.

Read all the Instructions carefully before commencing the Installation. Failure to follow these instructions may result in a fire hazard and void the warranty

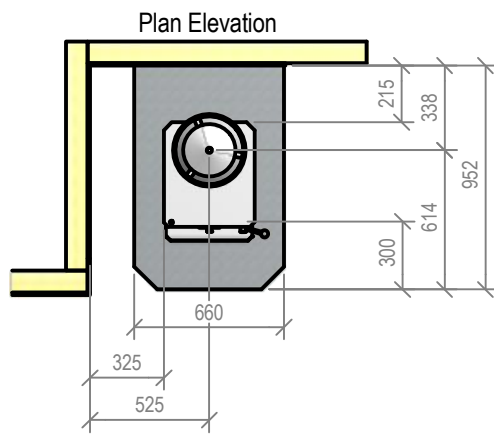
For Specification See: www.warmington.co.nz

Copyright ©



Side Elevation

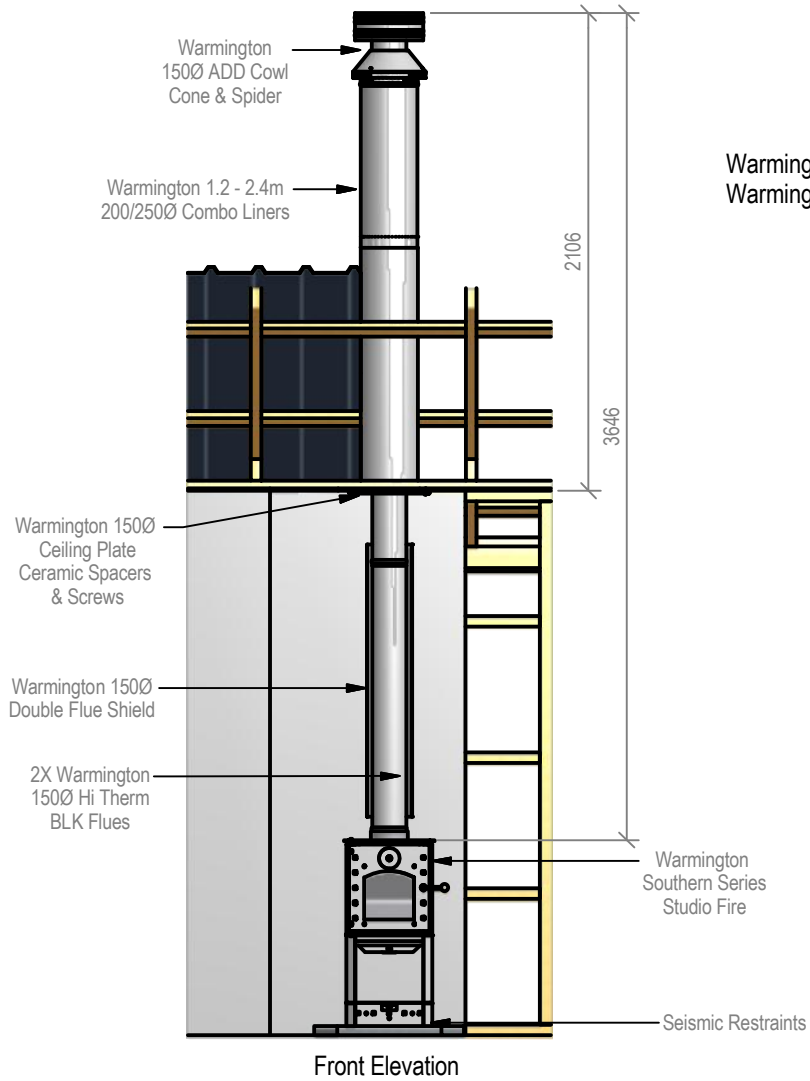
Warmington Industries Ltd.	
PH: 09 273 9227 FAX: 09 273 9241 WEB: www.warmington.co.nz	
TITLE	STUDIO 14 FIREBOX
DRAWN BY	DATE 22/03/18
SCALE	REVISION



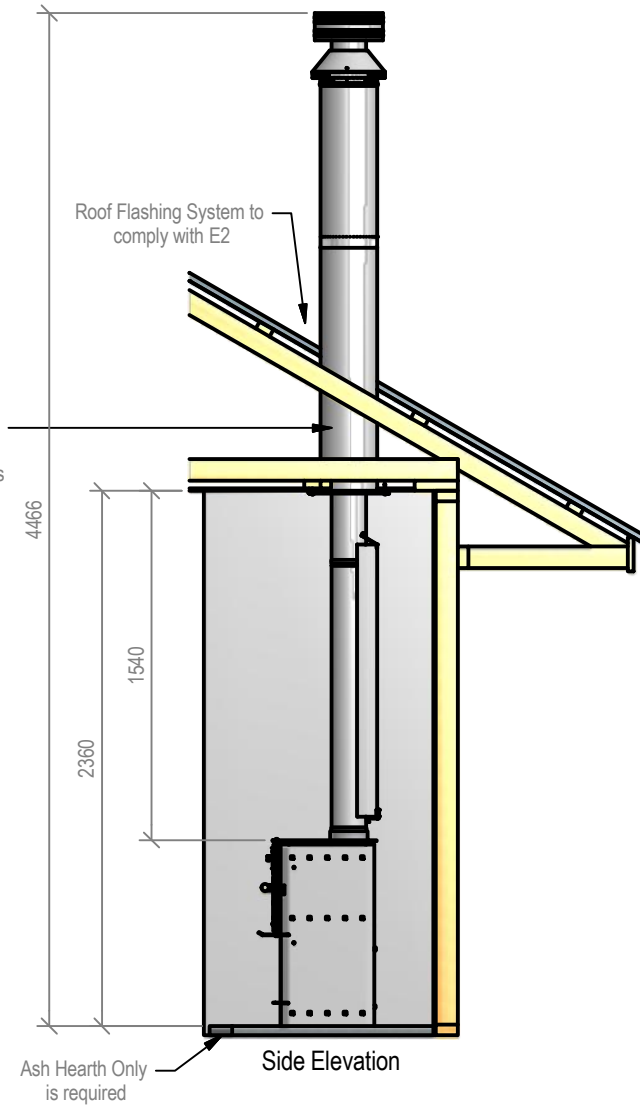
Warmington Studio Fire

Warmington Studio Firebox - SITUATION 1
 Warmington 3.6m Freestanding Fluekit (1.2-2.4m Combo) .
 Straight Wall Installation .

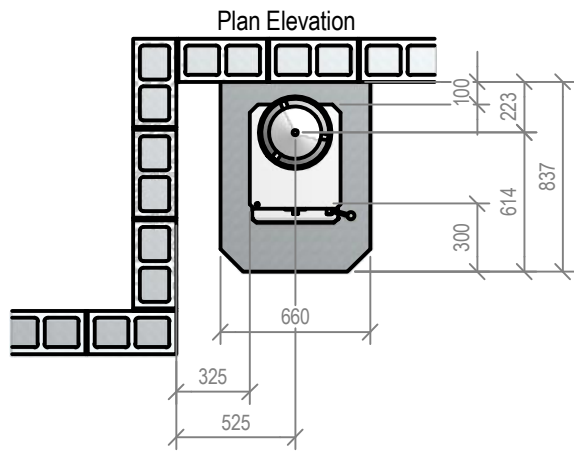
Fire & Flue System to comply with AS/NZS 2918:2001.
Due to continued product improvement, Warmington Ind LTD reserves the right to change product specifications without prior notification.
 Read all the Instructions carefully before commencing the Installation. Failure to follow these instructions may result in a fire hazard and void the warranty
 For Specification See: www.warmington.co.nz
 Copyright ©



Warmington Studio Fire &
 Warmington 3.6m Fluekit



Warmington Industries Ltd.	
PH: 09 273 9227 FAX: 09 273 9241 WEB: www.warmington.co.nz	
TITLE	STUDIO 14 FIRE - SITUATION 1
DRAWN	BEN
DATE	22/03/18
SCALE	REVISION



Warmington Studio Fire

Warmington Studio Firebox - SITUATION 2

Warmington 3.6m Freestanding Fluekit (1.2-2.4m Combo) .

Straight Wall Installation .

Fire & Flue System to comply with AS/NZS 2918:2001.

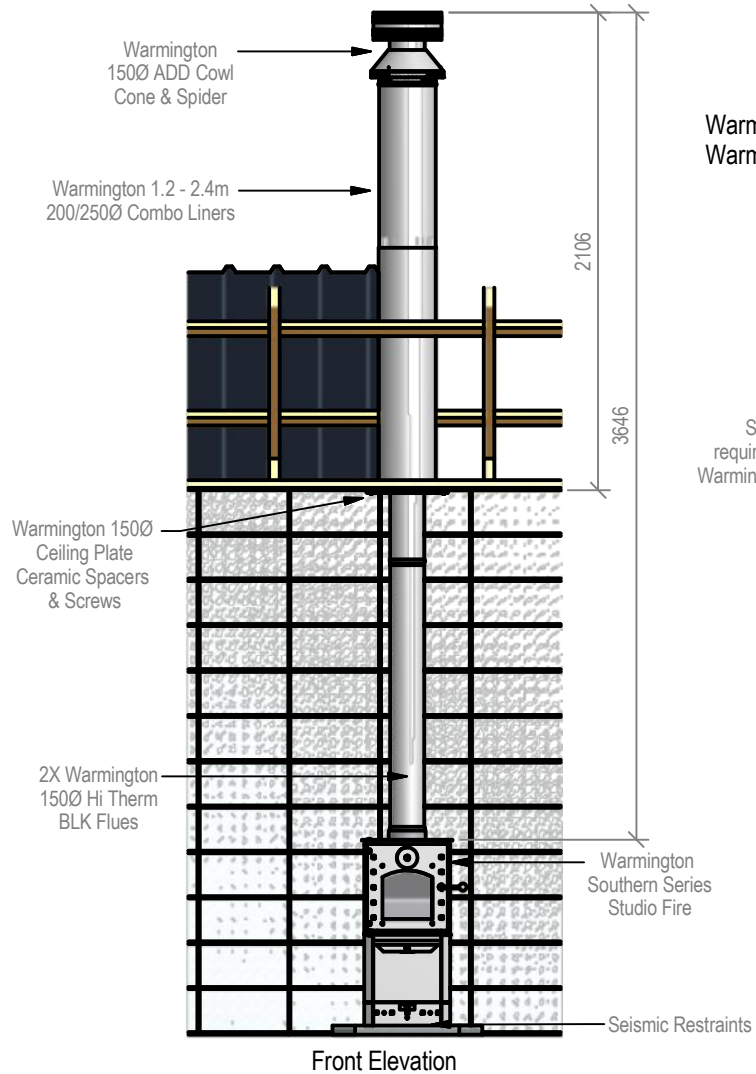
Due to continued product improvement, Warmington Ind LTD reserves the right to change product specifications without prior notification.

Read all the Instructions carefully before commencing the Installation. Failure to follow these

instructions may result in a fire hazard and void the warranty

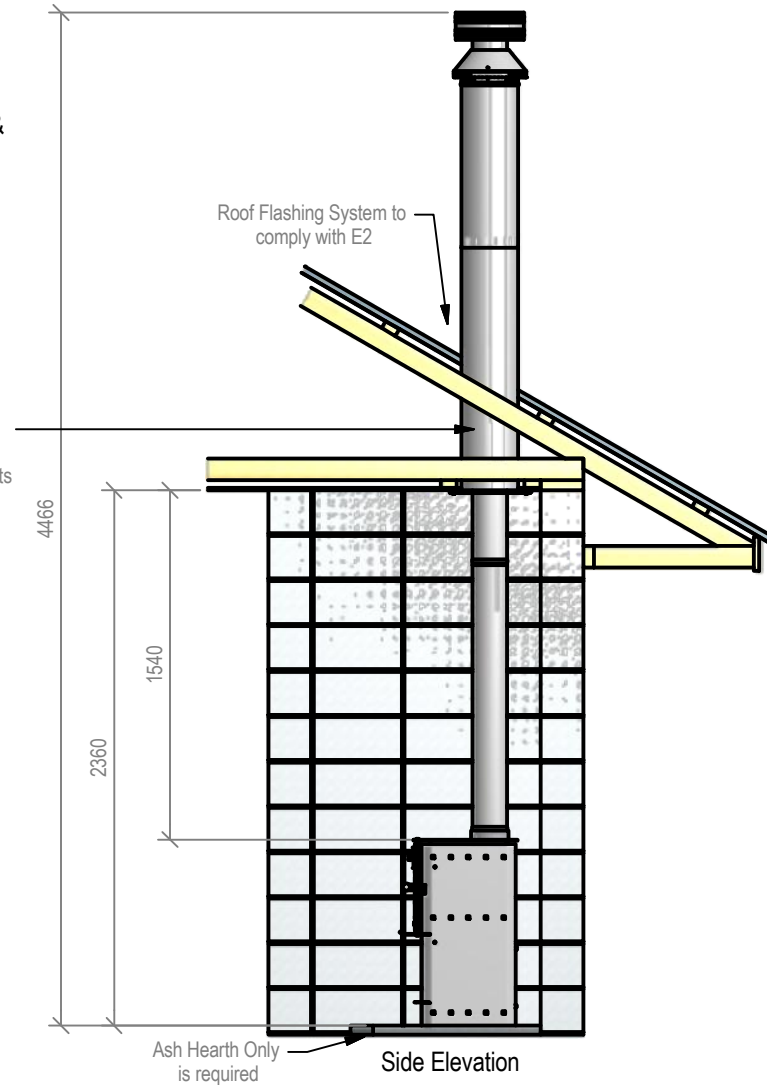
For Specification See: www.warmington.co.nz

Copyright ©

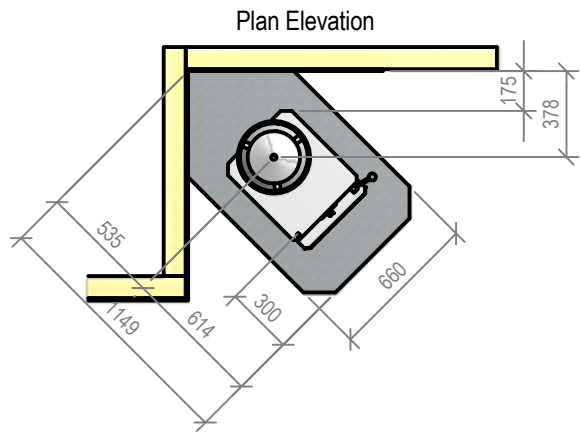


Warmington Studio Fire & Warmington 3.6m Fluekit

See Specifications for required Bracing/Frameout for Warmington Freestanding Fluekits



Warmington Industries Ltd.	
PH: 09 273 9227 FAX: 09 273 9241 WEB: www.warmington.co.nz	
TITLE STUDIO 14 FIRE - SITUATION 2	
DRAWN BEN	DATE 22/03/18
SCALE	REVISION



Warmington Studio Fire

Warmington Studio Firebox - SITUATION 1
 Warmington 3.6m Freestanding Fluekit (1.2-2.4m Combo) .
 Corner Installation .

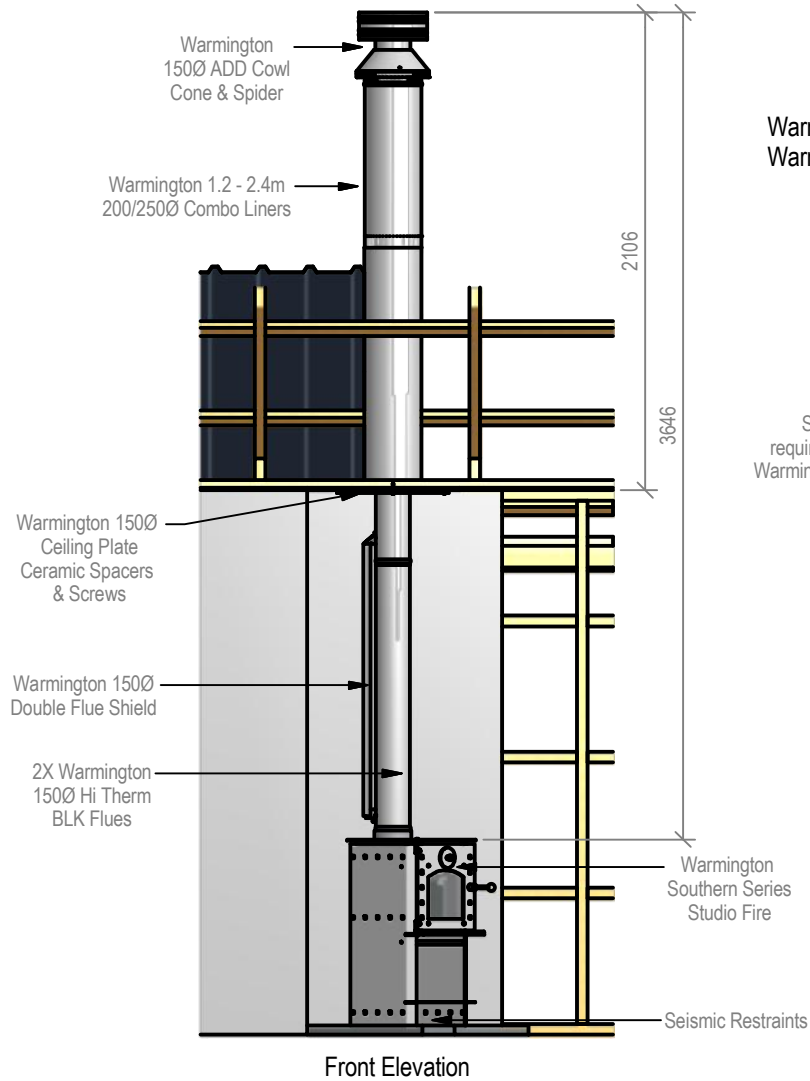
Fire & Flue System to comply with AS/NZS 2918:2001.

Due to continued product improvement, Warmington Ind LTD reserves the right to change product specifications without prior notification.

Read all the Instructions carefully before commencing the Installation. Failure to follow these instructions may result in a fire hazard and void the warranty

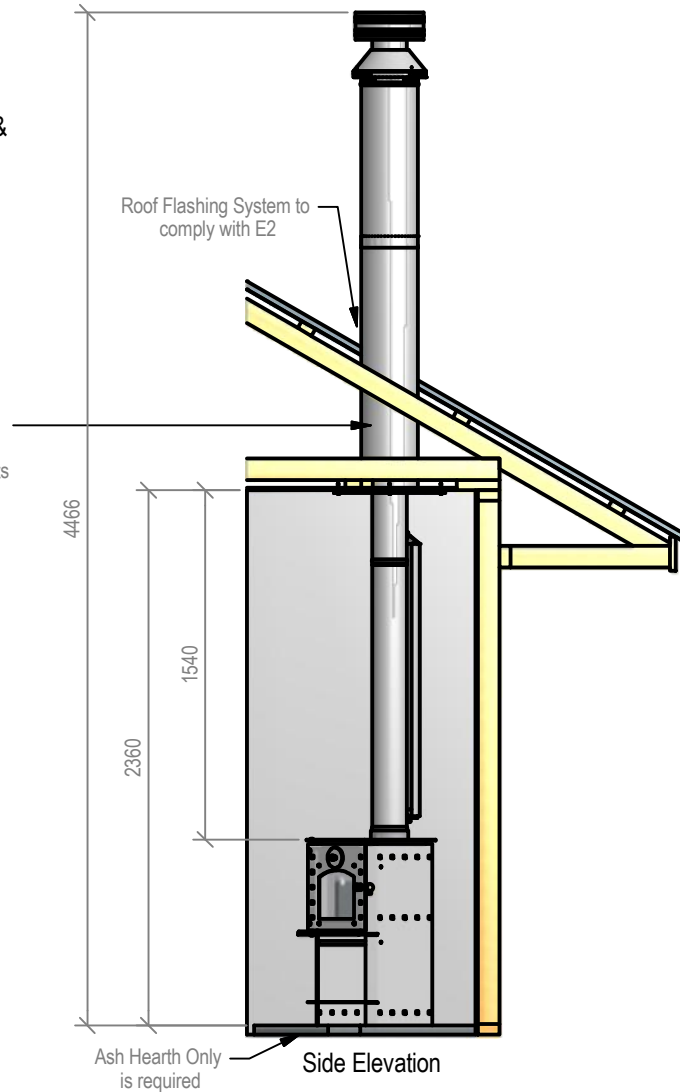
For Specification See: www.warmington.co.nz

Copyright ©

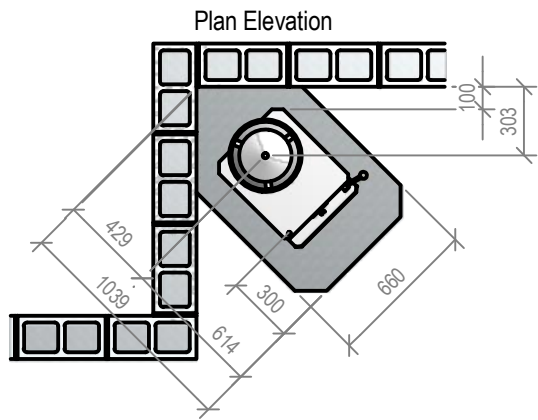


Warmington Studio Fire & Warmington 3.6m Fluekit

See Specifications for required Bracing/Frameout for Warmington Freestanding Fluekits



Warmington Industries Ltd.	
PH: 09 273 9227 FAX: 09 273 9241 WEB: www.warmington.co.nz	
TITLE	STUDIO 14 FIRE - SITUATION 1
DRAWN	BEN
DATE	22/03/18
SCALE	REVISION



Warmington Studio Fire

Warmington Studio Firebox - SITUATION 2
 Warmington 3.6m Freestanding Fluekit (1.2-2.4m Combo).
 Corner Installation.

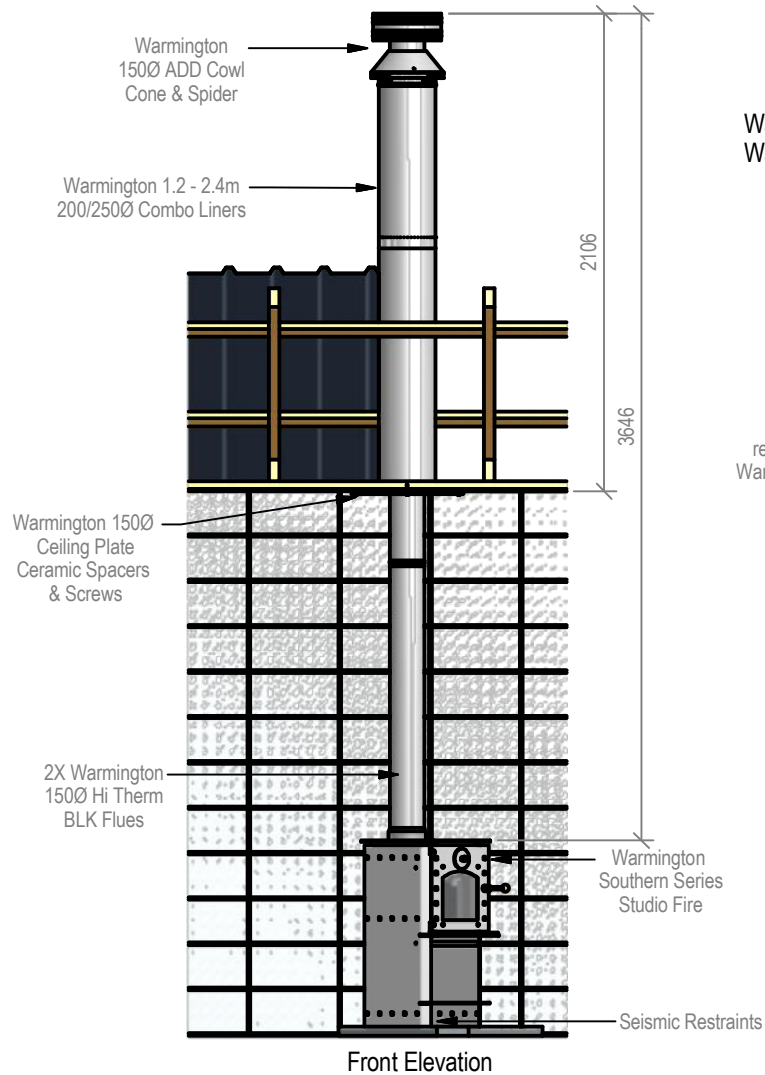
Fire & Flue System to comply with AS/NZS 2918:2001.

Due to continued product improvement, Warmington Ind LTD reserves the right to change product specifications without prior notification.

Read all the Instructions carefully before commencing the Installation. Failure to follow these instructions may result in a fire hazard and void the warranty

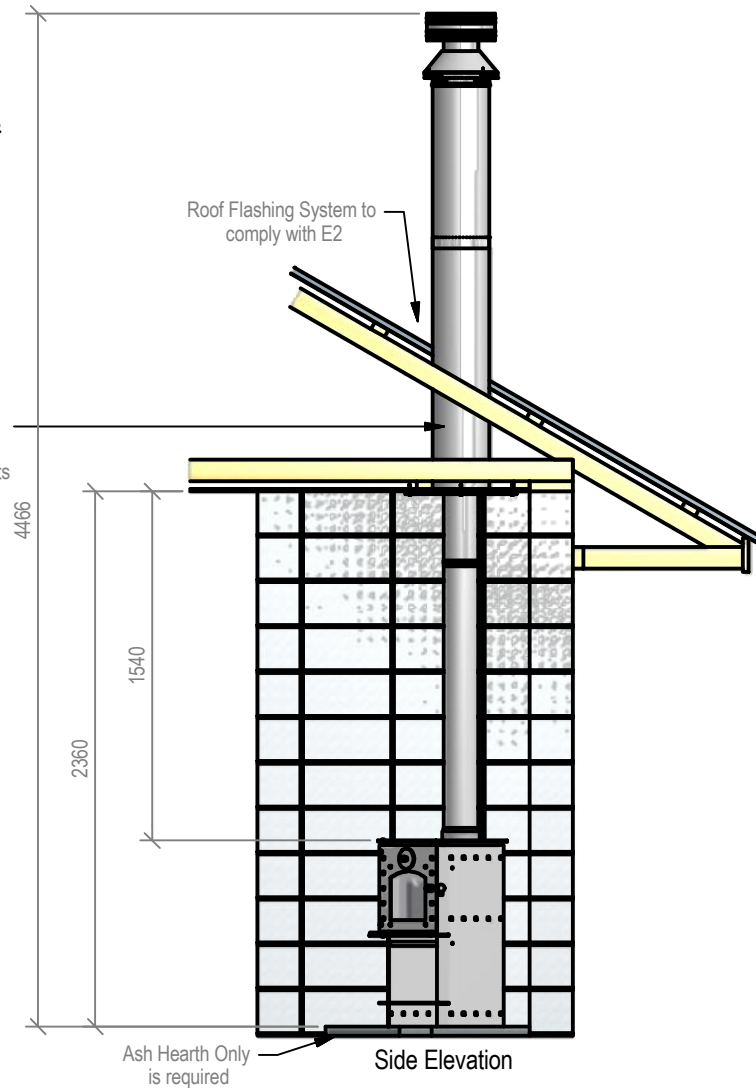
For Specification See: www.warmington.co.nz

Copyright ©



Warmington Studio Fire &
 Warmington 3.6m Fluekit

See Specifications for
 required Bracing/Frameout for
 Warmington Freestanding Fluekits



Warmington Industries Ltd.	
PH: 09 273 9227 FAX: 09 273 9241 WEB: www.warmington.co.nz	
TITLE	STUDIO 14 FIRE - SITUATION 2
DRAWN	BEN
DATE	22/03/18
SCALE	REVISION