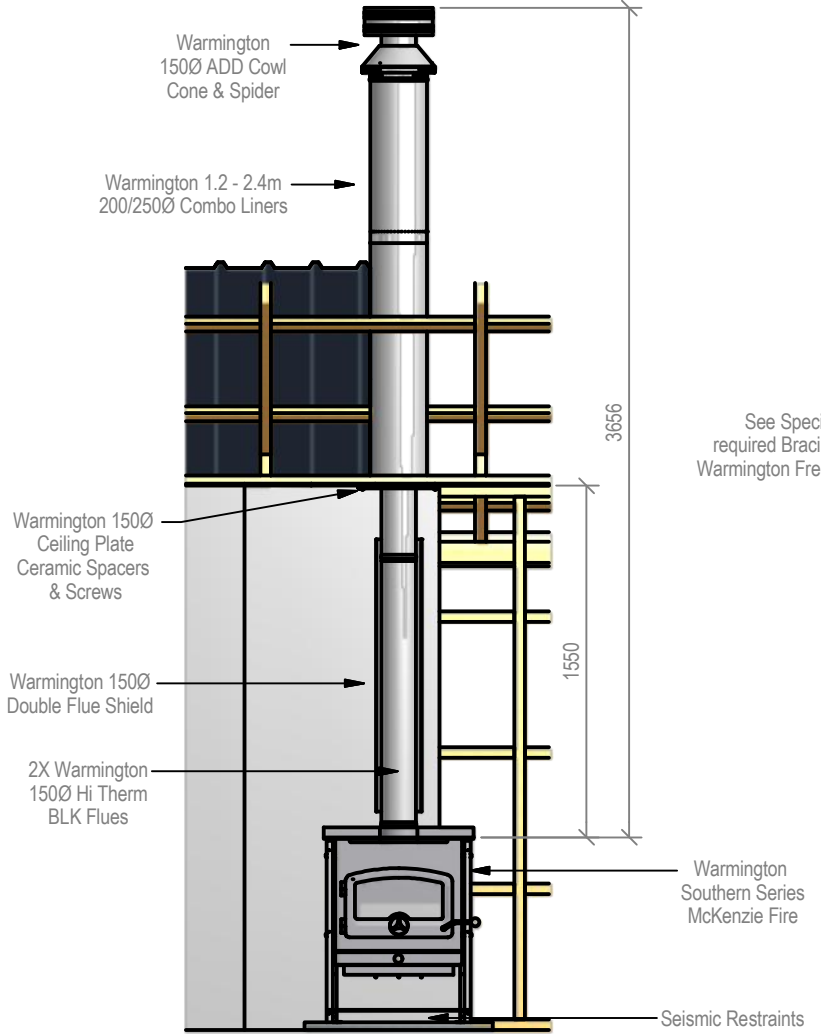
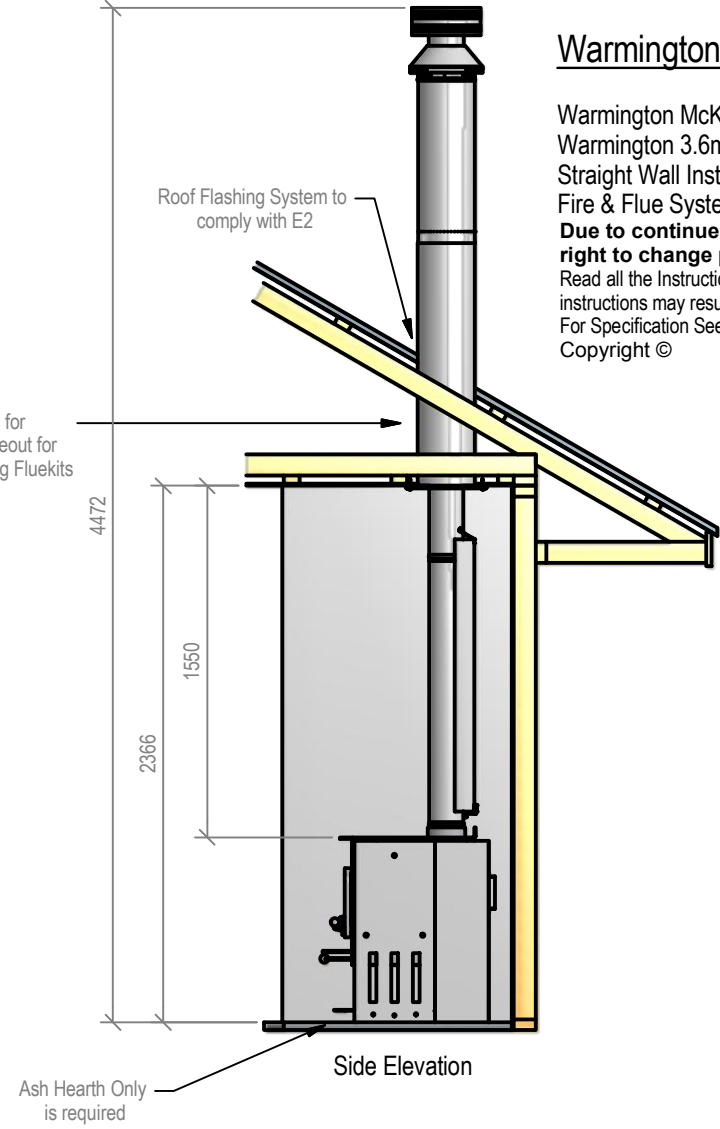


Warmington Southern Series Fire

Warmington McKenzie Firebox .
 Warmington 3.6m Freestanding Fluekit (1.2-2.4m Combo) .
 Straight Wall Installation .
 Fire & Flue System to comply with AS/NZS 2918:2001.
Due to continued product improvement, Warmington Ind LTD reserves the right to change product specifications without prior notification.
 Read all the Instructions carefully before commencing the Installation. Failure to follow these instructions may result in a fire hazard and void the warranty
 For Specification See: www.warmington.co.nz
 Copyright ©

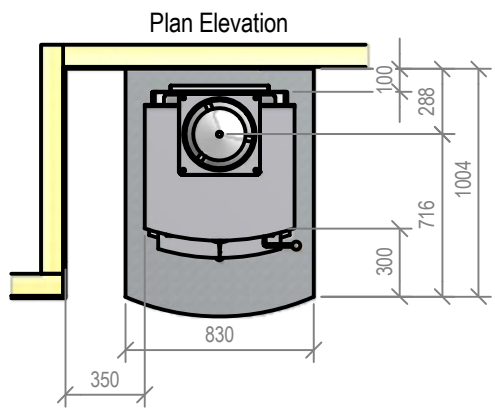


Front Elevation



Side Elevation

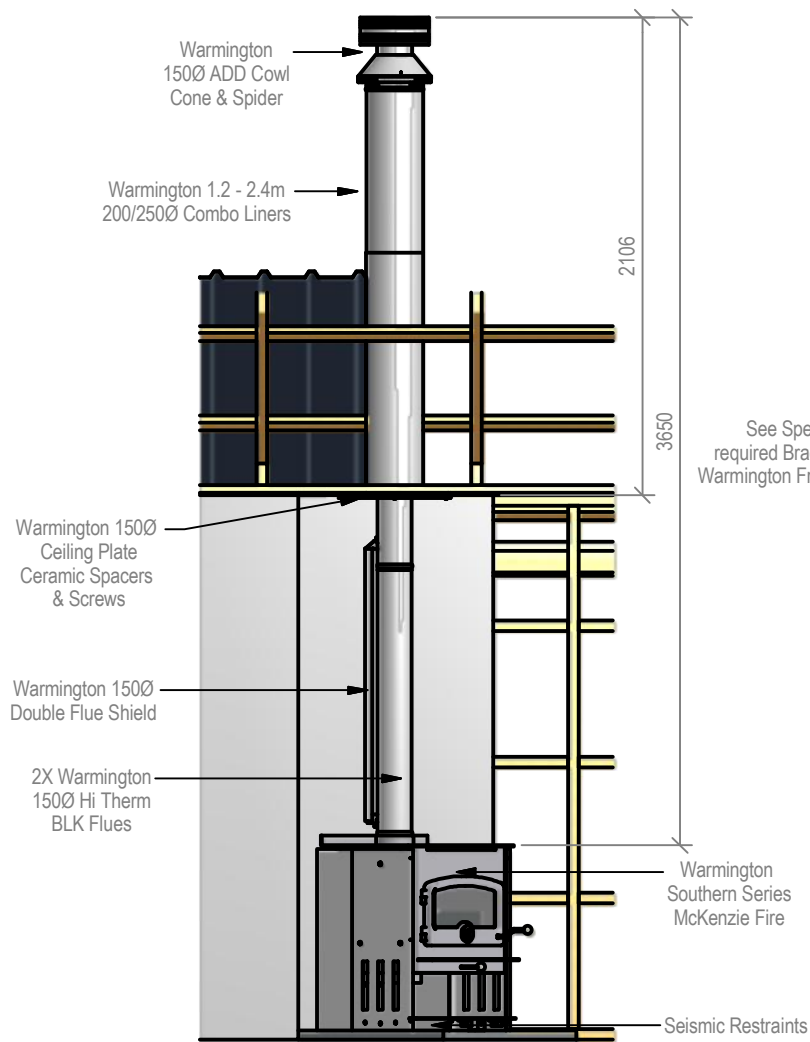
See Specifications for required Bracing/Frameout for Warmington Freestanding Fluekits



Plan Elevation

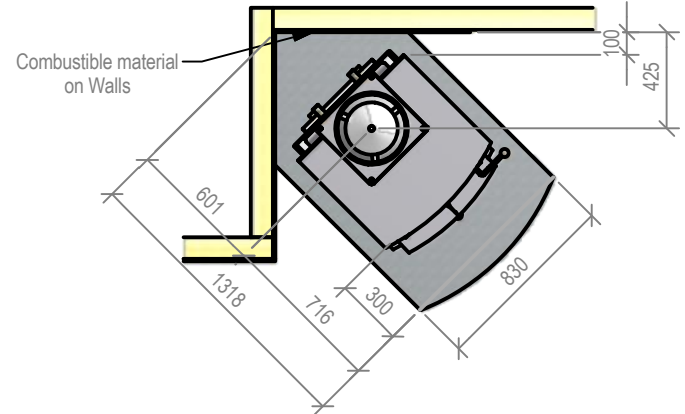
Warmington McKenzie Fire & Warmington 3.6m Fluekit

Warmington Industries Ltd.	
PH: 09 273 9227 FAX: 09 273 9241 WEB: www.warmington.co.nz	
TITLE	SOUTHERN SERIES FIRE - MC KENZIE
DRAWN	BRYCE
DATE	13/04/11
SCALE	REVISION

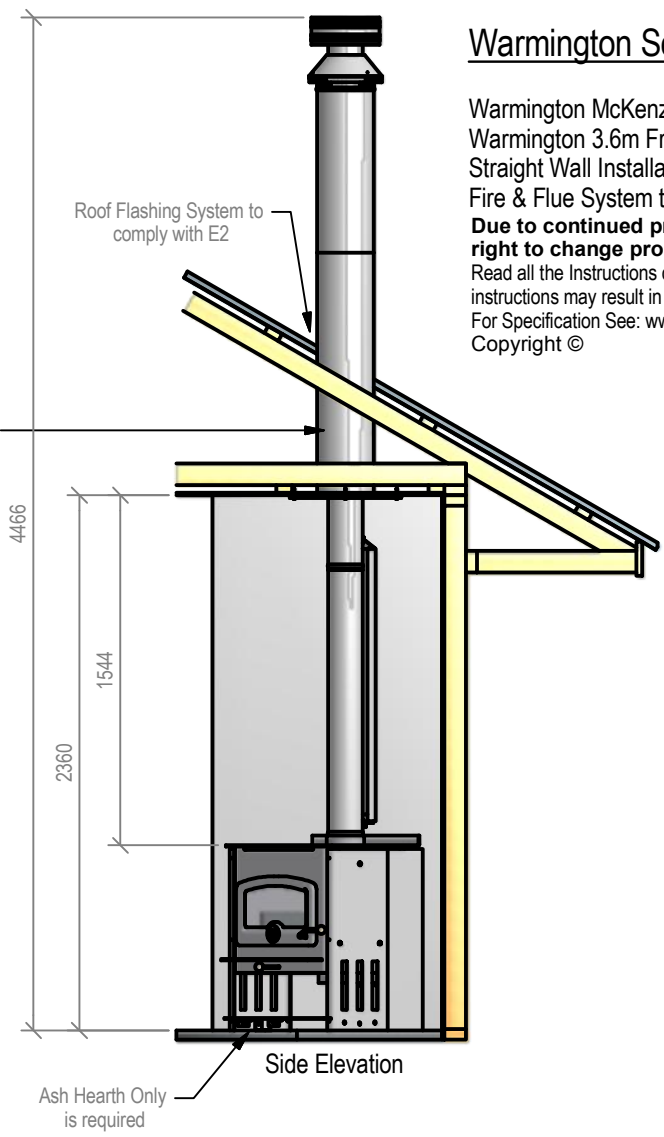


Front Elevation

Plan Elevation



See Specifications for required Bracing/Frameout for Warmington Freestanding Fluekits



Side Elevation

Warmington Southern Series Fire

Warmington McKenzie Firebox .
 Warmington 3.6m Freestanding Fluekit (1.2-2.4m Combo) .
 Straight Wall Installation .
 Fire & Flue System to comply with AS/NZS 2918:2001.

Due to continued product improvement, Warmington Ind LTD reserves the right to change product specifications without prior notification.
 Read all the Instructions carefully before commencing the Installation. Failure to follow these instructions may result in a fire hazard and void the warranty
 For Specification See: www.warmington.co.nz
 Copyright ©

Warmington McKenzie Fire & Warmington 3.6m Fluekit

Warmington Industries Ltd.	
PH: 09 273 9227 FAX: 09 273 9241 WEB: www.warmington.co.nz	
TITLE	SOUTHERN SERIES FIRE - MC KENZIE
DRAWN	BRYCE
DATE	13/04/11
SCALE	REVISION