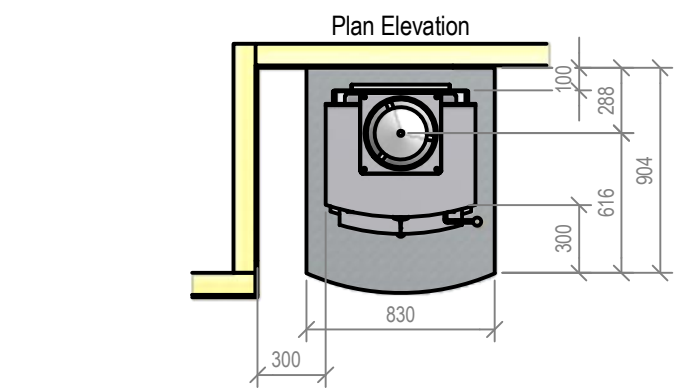
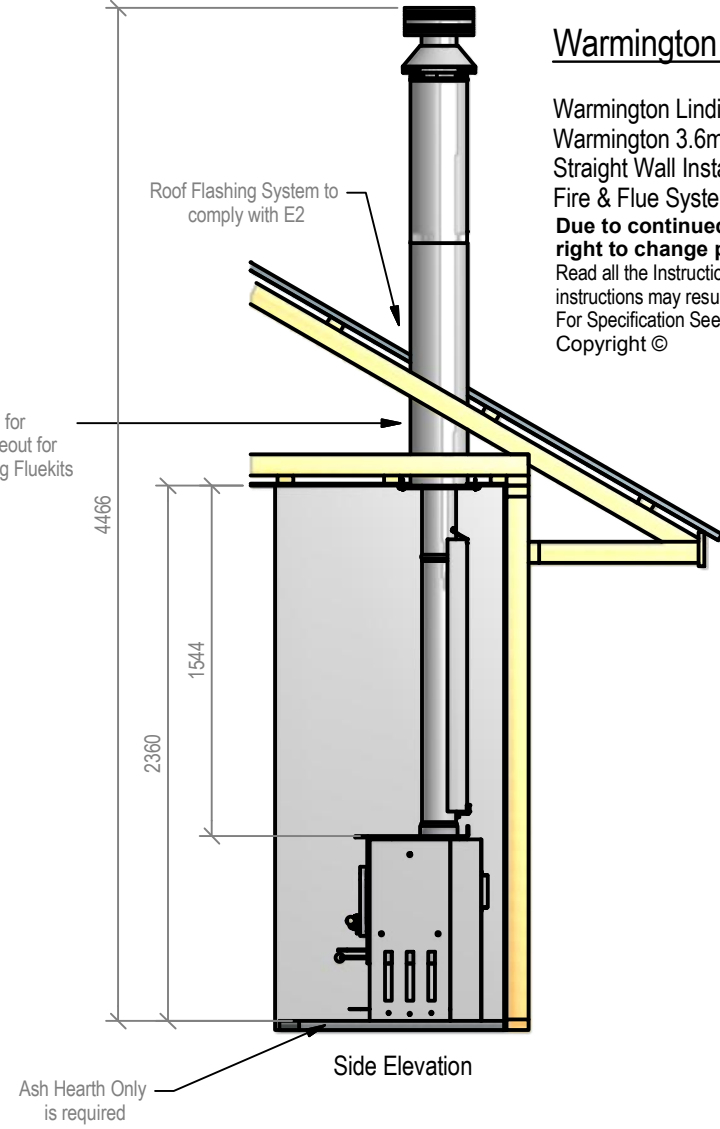


Front Elevation



Plan Elevation



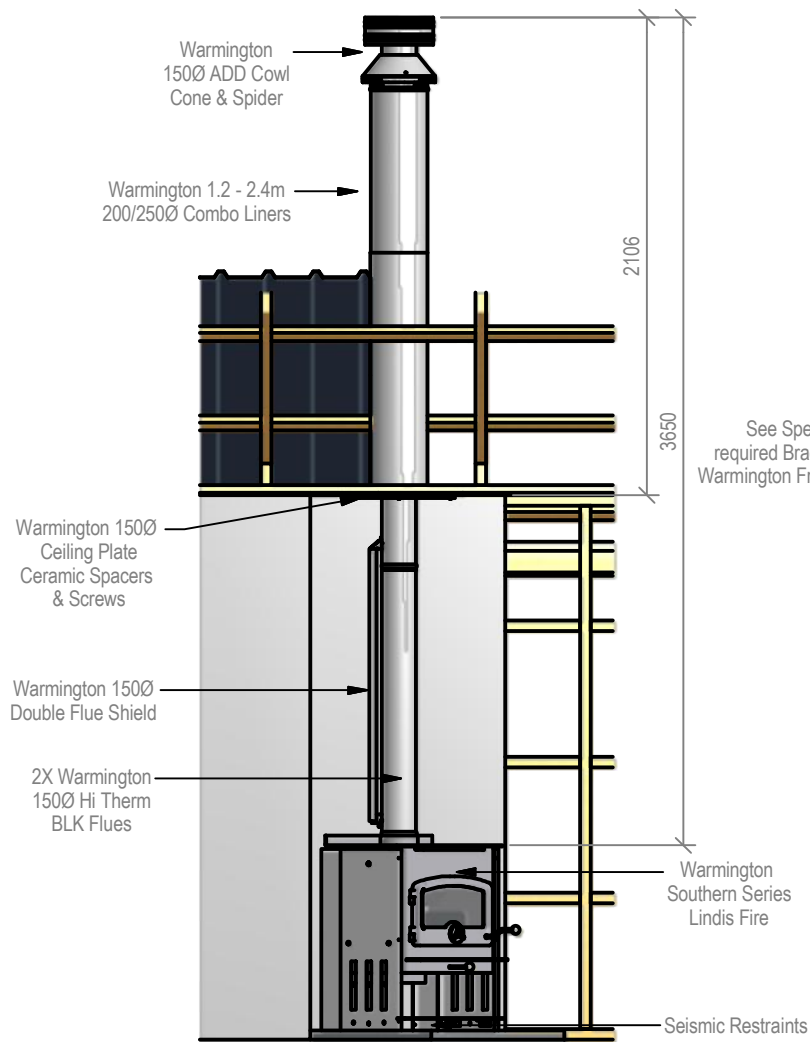
Side Elevation

## Warmington Southern Series Fire

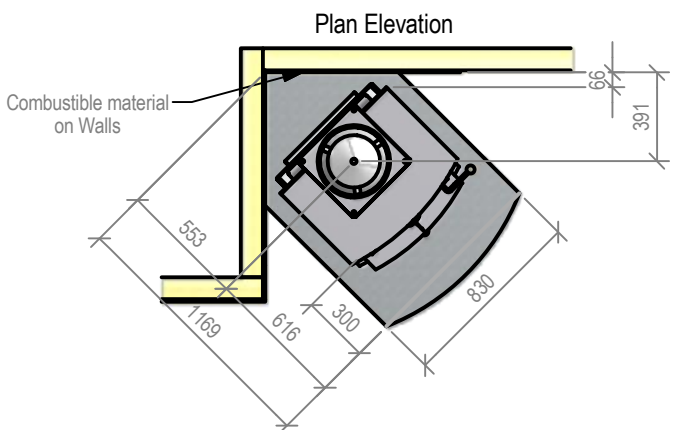
Warmington Lindis Firebox .  
 Warmington 3.6m Freestanding Fluekit (1.2-2.4m Combo) .  
 Straight Wall Installation .  
 Fire & Flue System to comply with AS/NZS 2918:2001.  
**Due to continued product improvement, Warmington Ind LTD reserves the right to change product specifications without prior notification.**  
 Read all the Instructions carefully before commencing the Installation. Failure to follow these instructions may result in a fire hazard and void the warranty.  
 For Specification See: [www.warmington.co.nz](http://www.warmington.co.nz)  
 Copyright ©

Warmington Lindis Fire & Warmington 3.6m Fluekit

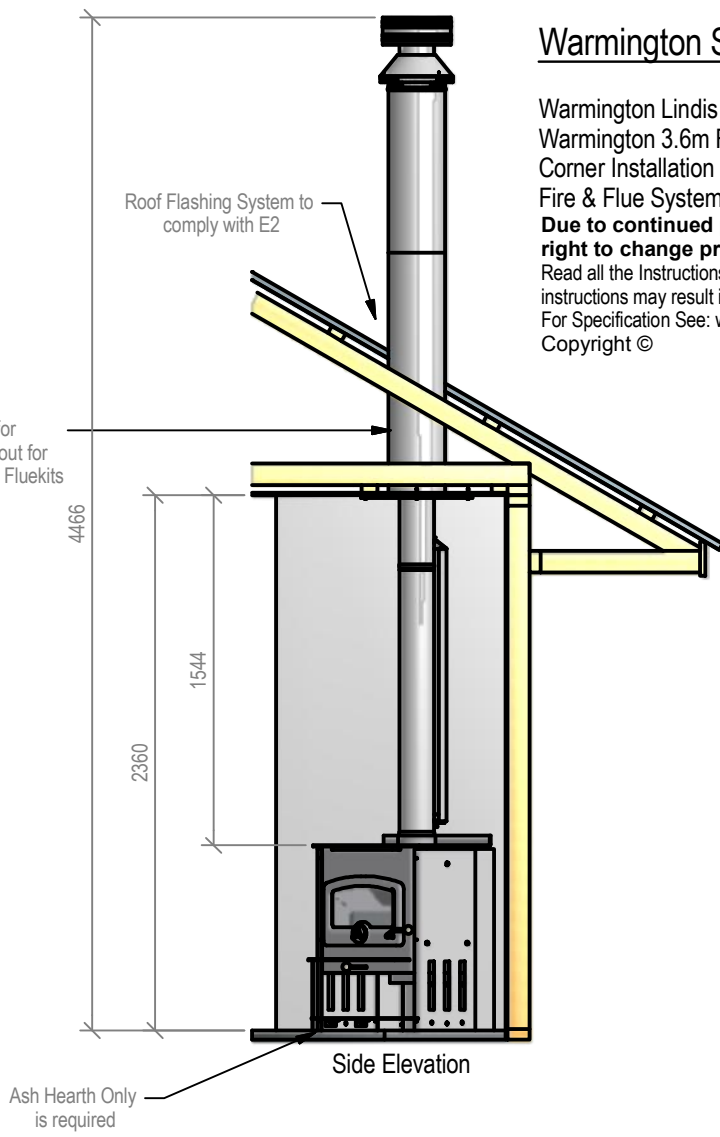
|  |                               |
|--|-------------------------------|
| <b>Warmington Industries Ltd.</b>  |                               |
| PH: 09 273 9227 FAX: 09 273 9241 WEB: <a href="http://www.warmington.co.nz">www.warmington.co.nz</a> |                               |
| TITLE  | SOUTHERN SERIES FIRE - LINDIS |
| DRAWN  | BRYCE                         |
| DATE   | 1104/11                       |
| SCALE  | REVISION                      |



Front Elevation



Plan Elevation



Side Elevation

## Warmington Southern Series Fire

Warmington Lindis Firebox .  
 Warmington 3.6m Freestanding Fluekit (1.2-2.4m Combo) .  
 Corner Installation .  
 Fire & Flue System to comply with AS/NZS 2918:2001.  
**Due to continued product improvement, Warmington Ind LTD reserves the right to change product specifications without prior notification.**  
 Read all the Instructions carefully before commencing the Installation. Failure to follow these instructions may result in a fire hazard and void the warranty  
 For Specification See: [www.warmington.co.nz](http://www.warmington.co.nz)  
 Copyright ©

Warmington Lindis Fire & Warmington 3.6m Fluekit

|  |                               |
|--|-------------------------------|
| <b>Warmington Industries Ltd.</b>  |                               |
| PH: 09 273 9227 FAX: 09 273 9241 WEB: <a href="http://www.warmington.co.nz">www.warmington.co.nz</a> |                               |
| TITLE  | SOUTHERN SERIES FIRE - LINDIS |
| DRAWN  | BRYCE                         |
| DATE   | 11/04/11                      |
| SCALE  | REVISION                      |