

# Warmington Flueless Outdoor Gas Open Fire

## SG 700 Outdoor Flueless Firebox

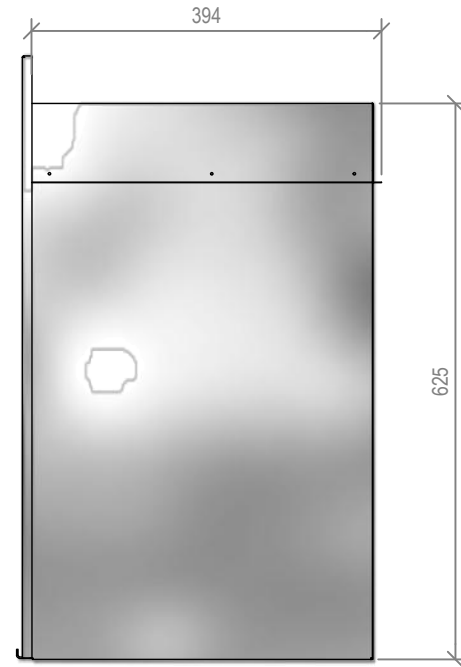
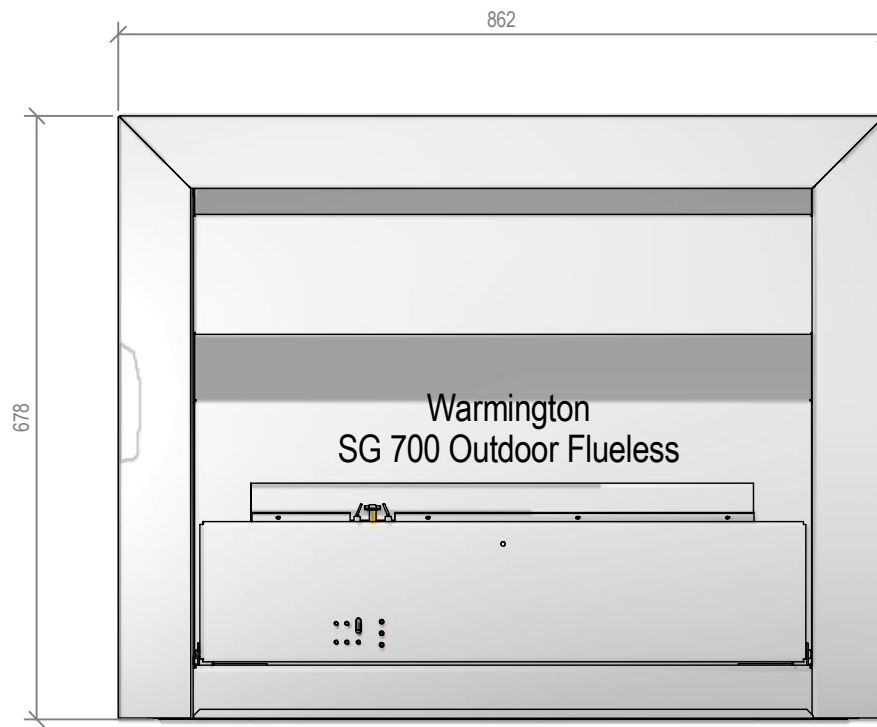
Fire, Flue System to Comply with NZS 5261 / 5262 : 2003

**Due to continued product improvement, Warmington Ind LTD reserves the right to change product specifications without prior notification.**

Read all the Instructions carefully before commencing the Installation. Failure to follow these instructions may result in a fire hazard and void the warranty

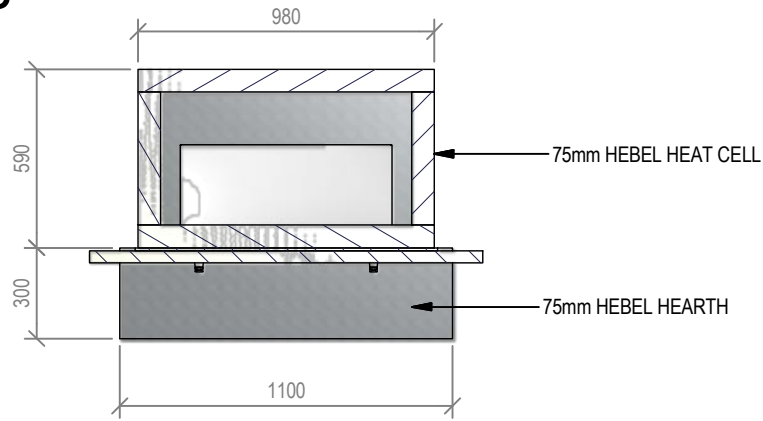
For Specification See: [www.warmington.co.nz](http://www.warmington.co.nz)

Copyright ©



<b>Warmington Industries Ltd.</b>			
PH: 09 273 9227 FAX: 09 273 9241 WEB: <a href="http://www.warmington.co.nz">www.warmington.co.nz</a>			
TITLE	SG 700 OUTDOOR FLUELESS FIREBOX		
DRAWN	ALAN	DATE	20/07/11
SCALE	NOT TO SCALE	REVISION	01

B-B



# Warmington Flueless Outdoor Gas Open Fire

## SG 700 Outdoor Flueless Hebel Enclosure

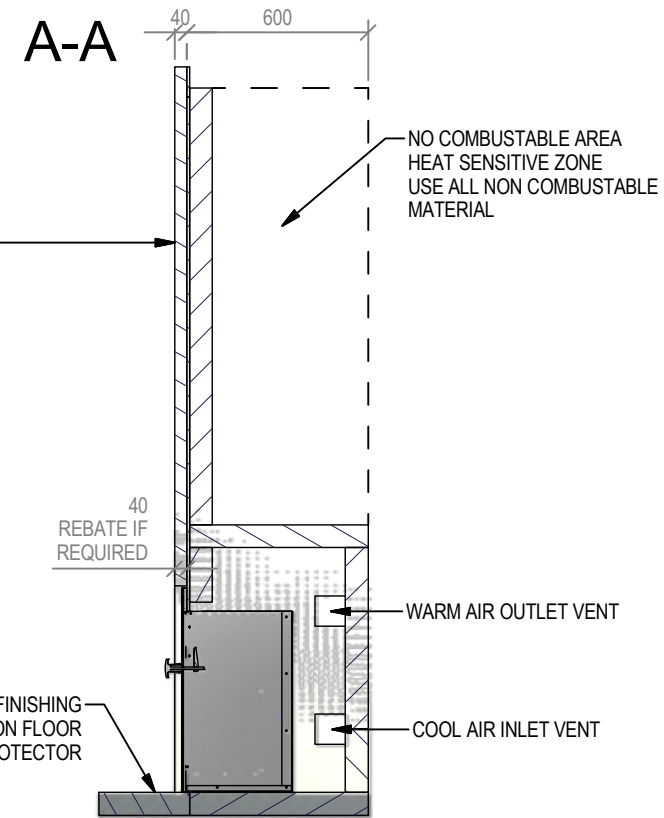
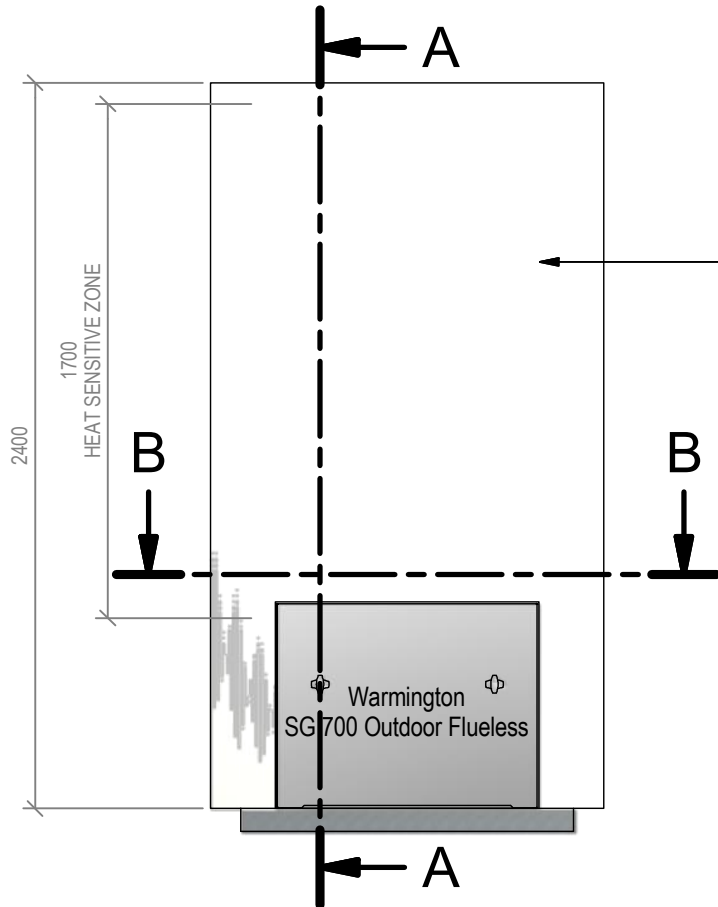
Fire, Flue System to Comply with NZS 5261 / 5262 : 2003

**Due to continued product improvement, Warmington Ind LTD reserves the right to change product specifications without prior notification.**

Read all the Instructions carefully before commencing the Installation. Failure to follow these instructions may result in a fire hazard and void the warranty

For Specification See: [www.warmington.co.nz](http://www.warmington.co.nz)

Copyright ©



NO COMBUSTABLE MATERIAL TO BE USED IN OR ON THIS AREA

**NOTE:**  
GAS TEMPERATURE WILL EXCEED 150°C RUNNING UP THE FRONT FACE

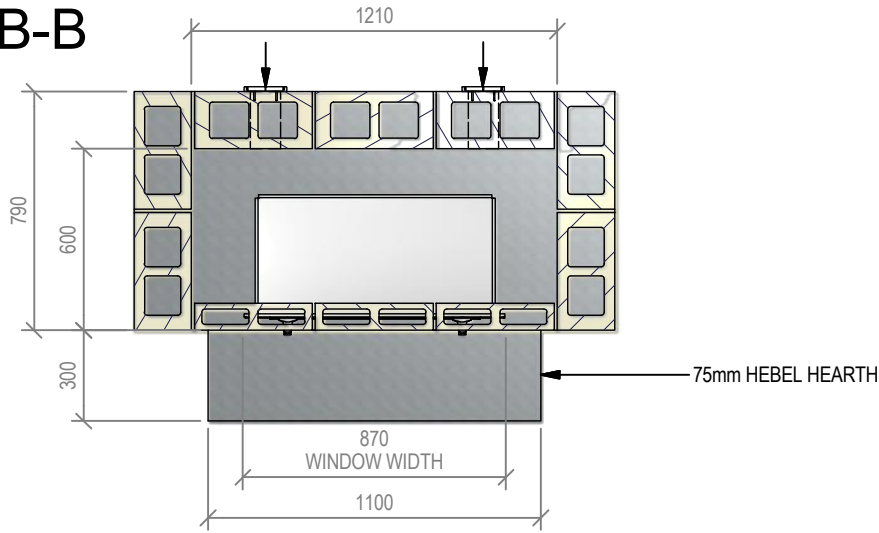
REBATE TO REDUCE WATER ENTERING THE FIRE

THESE FIRES ARE FOR OUTSIDE USE ONLY NOT TO BE INSTALLED INDOORS

ENSURE VENTING IS NOT RESTRICTED OR THE AIR FLOW IMPINGES ON ANY COMBUSTIBLE MATERIAL

<b>Warmington Industries Ltd.</b>			
PH: 09 273 9227 FAX: 09 273 9241 WEB: <a href="http://www.warmington.co.nz">www.warmington.co.nz</a>			
TITLE	SG 700 OUTDOOR FLUELESS HEBEL ENCLOSURE	DATE	2007/11
DRAWN	ALAN	REVISION	01
SCALE	NOT TO SCALE		

B-B



# Warmington Flueless Outdoor Gas Open Fire

## SG 700 Outdoor Flueless Block Enclosure

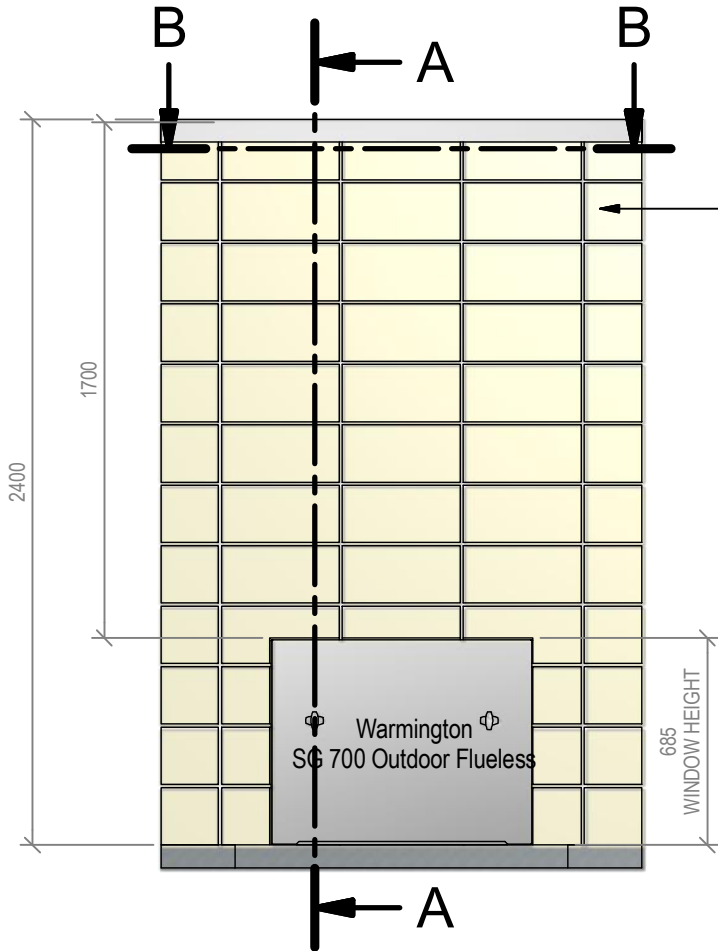
Fire, Flue System to Comply with NZS 5261 / 5262 : 2003

**Due to continued product improvement, Warmington Ind LTD reserves the right to change product specifications without prior notification.**

Read all the Instructions carefully before commencing the Installation. Failure to follow these instructions may result in a fire hazard and void the warranty

For Specification See: [www.warmington.co.nz](http://www.warmington.co.nz)

Copyright ©



NO COMBUSTABLE MATERIAL TO BE USED IN OR ON THIS AREA

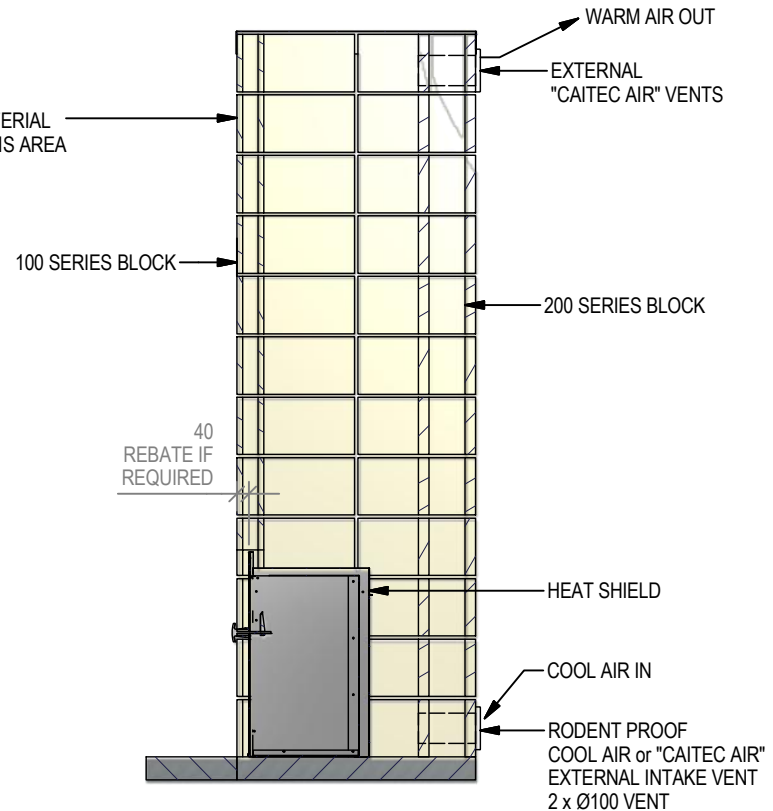
**NOTE:**  
GAS TEMPERATURE WILL EXCEED 150°C RUNNING UP THE FRONT FACE

REBATE TO REDUCE WATER ENTERING THE FIRE

THESE FIRES ARE FOR OUTSIDE USE ONLY  
NOT TO BE INSTALLED INDOORS

ENSURE VENTING IS NOT RESTRICTED OR THE AIR FLOW IMPINGES ON ANY COMBUSTIBLE MATERIAL

A-A



<b>Warmington Industries Ltd.</b>			
PH: 09 273 9227 FAX: 09 273 9241 WEB: <a href="http://www.warmington.co.nz">www.warmington.co.nz</a>			
TITLE	SG 700 OUTDOOR FLUELESS HEBEL ENCLOSURE	DATE	20/07/11
DRAWN	ALAN	REVISION	01
SCALE	NOT TO SCALE		