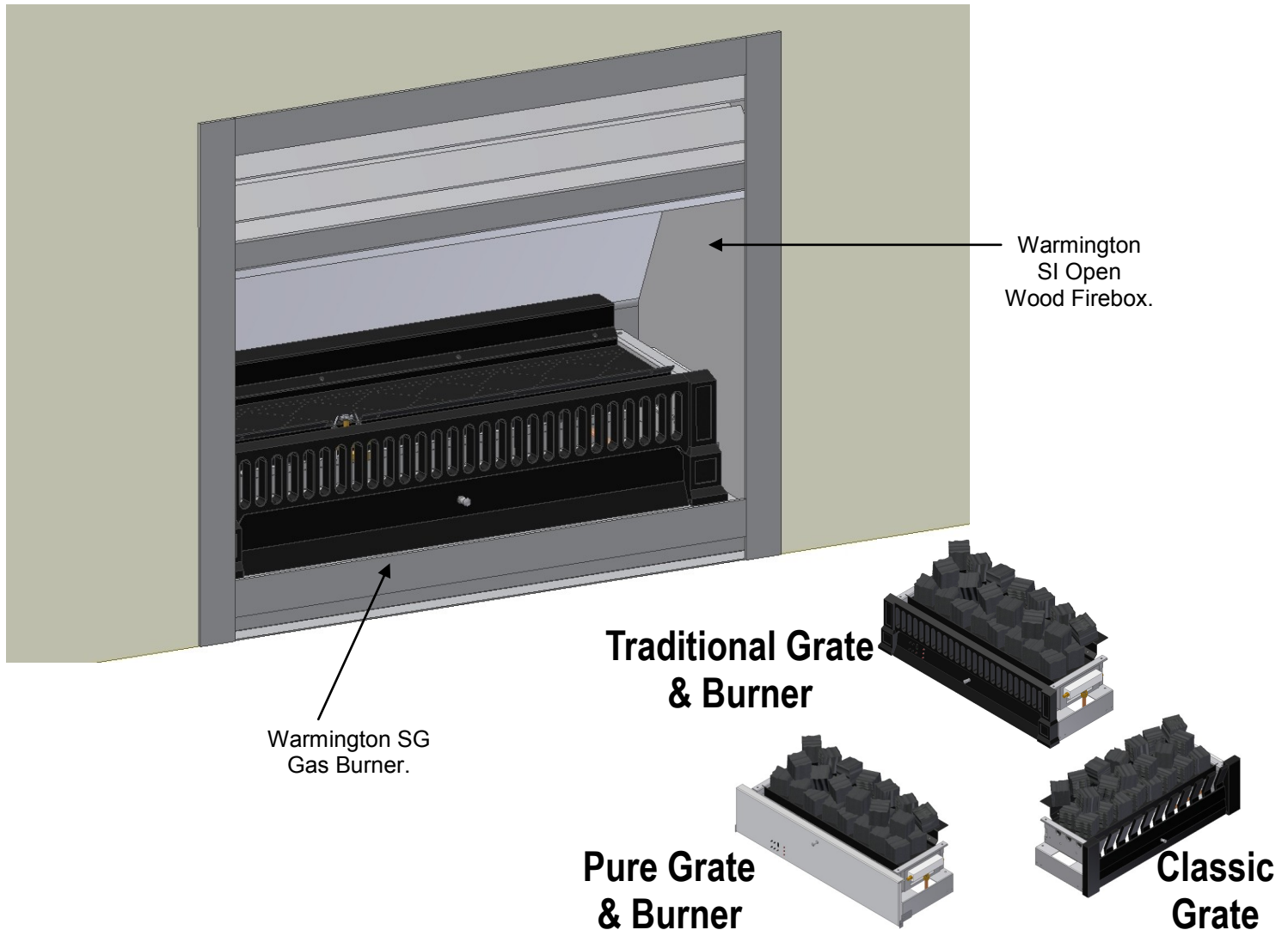


# *SG 700-780-900-1100 Burner Only*

## SG Gas Burner into a Warmington SI Wood Open Fire Installation Guide Only



### Related documents

**Fire and flue system installation, and instructions to comply with NZS 5601.1:2013, 3645.1(Int):2010, 3645.2(Int):2010, 5266:2014, 2918:2001.**

**The fireplace is constructed and tested to comply with NZS 4558(int):2013 “Decorative gas log and other fuel effect appliances”.**

Keep these instructions for further reference. Ensure that you have the correct and current installation details for the Warmington fireplace.

### Installation

The Warmington unit is to be installed by a certified Warmington installer or an approved NZHHA installation technician.

See [www.homeheat.co.nz/members](http://www.homeheat.co.nz/members) for a certified NZHHA SFAIT Installer in your area.

A licenced certified gas fitter and licenced electrician are required to run power and gas supplies as required to the unit and any commissioning as part of the installation process. The heater must be installed according to these instructions and in compliance with all relevant building, gas fitting, electrical and other statutory regulations.

### IMPORTANT

Read all the instructions carefully before commencing the Installation. Failure to follow these instructions may result in a fire hazard and void the warranty

**Due to continued product improvement, Warmington Ind LTD reserves the right to change product specifications without prior notification.**

## POINTS TO CONSIDER PRIOR TO INSTALLATION

Location of the Fire. Open Fires are better located at one end of a room or area, as they project the heat away from their opening .

### Venting to the Cavity.

This air is to allow the Cavity to Vent the Warm Air. This Warm Air helps keep the Fire and Flue System from getting to Cold . If the Flue and Fire get to Cold the System may soot often and require cleaning. Each Fire has different ways of venting the cavity .

### The Topography of the Land .

The slope and position of the Land in relation to the Home has a bearing on how the wind will interact with the Fire and Flue System. Care needs to be taken to ensure that the Flue Termination is in the correct position to maximise performance .

### The Prevailing Wind.

Care needs to be taken to ensure that the Flue Termination is in the correct position as wind and gusts that hits the Flue and Cowl System may overcome the Cowl and draft back down the Flue into the Home. This can be a combination of down draft and high pressure.

### Hearth and Plinth:

The height of the Hearth off the Floor. The Finishing that is to be used on the hearth is to be allowed for at the design stage.

### Positioning of the Flue System:

There is a maximum distance that an Offset Flue can be Installed. Reference to relevant standards.

### Flue and Fire Clearance:

To be maintained to the Manufactures Instructions.

### Pressure Differential, Venting & External Air into the Building :

All fires need air to burn and draw correctly, Kitchen Fans, Air Conditioning units, High Wind Zones, Naturally forming Draft spaces, can all have an effect on the pressure difference from inside the building to the outside. A lower pressure in the building may induce a draft down the flue system and back into the building causing the fire to smoke or spill into the building. **Care needs to be taken at the design and installation stage to adequately vent the building, or some mechanical system to ensure that there is always a neutral or positive pressure at the fireplace and a negative pressure at the flue outlet.** This will ensure that the draft in the flue system is always to the outside.

“CAITEC AIR” the limits and requirements. See details in these Specs, on [www.warmington.co.nz](http://www.warmington.co.nz) or contact your local Agent.

### Wind Noise:

You may encounter wind noise in some installations. It is recommended to use an enclosed chase with a chimney pot to help reduce noise. There will always be some noise from the flue systems of all fireplaces.

## INSTALLATION ORDER OF OPERATIONS

### Prior to Construction and Installation

### Important Notes:

1. **Consult a licenced certified gas fitter for correct gas installation.**
2. Install to current standards.
3. Install to manufacture's specifications.
4. All new Installations require a Local Council Consent No/Permit Application to be done .
5. Allow for Gas & Power supply to Cavity.
6. For special requirements concerning Materials (Timber Mantle and Surrounds) within close proximity of Warmington products, please contact your local Warmington Technical Consultant.

**Install Procedure by Certified Gasfitter or approved “Warmington Installer”, see “[www.homeheat.co.nz](http://www.homeheat.co.nz)” go to Members & follow steps to get a Certified NZHHA SFAIT Fire Installer in you Region. Installation to comply with current standards.**

**Ensure that the gas appliance is fitted and installed to the appropriate gas code and standard, and that all checks and test have been correctly carried out.**

### Maintenance:

Visually Inspect Fireplace and Flue System. Ensure that the Firebox is operating according to Manufacture's Instructions, Fire & Burner may Require to be serviced by Certified Gasfitter annually.

**NOTE: IMPORTANT INFORMATION FROM THE STANDARD**

Installation to comply with current standards. When installing a fitted open gas fire with an existing chimney section 6.7.11 in NZS 5601 is particularly relevant, see quote below:

**6.7.11 Use of existing flue or chimney**

An existing chimney or *flue* shall be used for flueing a *gas appliance* only after examination and the correction of any faults.

NOTE: Poor design of existing *flues* and chimneys can cause *combustion products* to enter into the room.

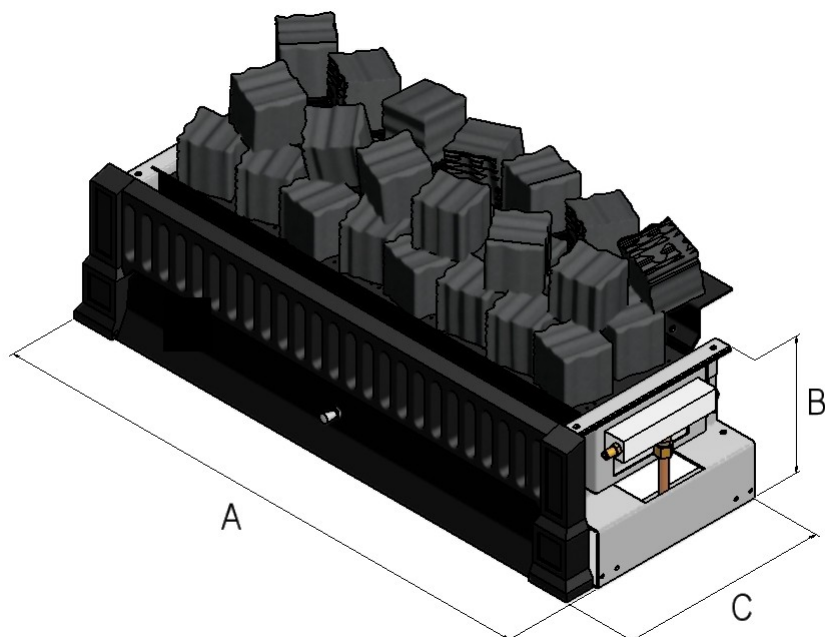
An existing chimney or *flue* that has been used for fuel other than *gas* shall be—

- (a) swept clear of soot and other loose material;
- (b) checked for soundness of construction and freedom from leakage; and
- (c) checked for adequate size.

Any damper plate shall be removed or permanently fixed fully open, except where a damper is necessary and in accordance with the *manufacturer's relevant instructions*.

**WARMINGTON BURNERS**

Burner		SG 700	SG 780	SG 900	SG 1100
Burner Width	A	674	754	874	1074
Burner Height	B	205	205	205	205
Burner Depth	C	272	272	272	272
Flue Diameter Min	J	200	200	250	250
Flue CSA mm	K	31 416	31 416	49 087	49 087



Due to continued product improvement, Warmington Ind LTD reserves the right to change product specifications without prior notification.

**IMPORTANT NOTES :**

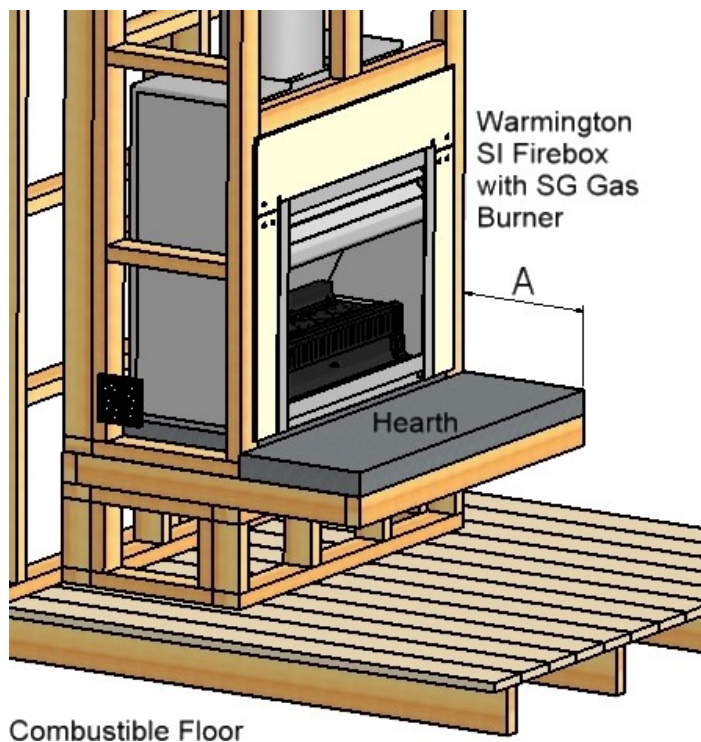
**GAS SPECIFICATIONS**      Tested to current gas standards

**NOTE :** All Test Pressures are tested by a Independent Test Lab      \* Inlet Pressure not to exceed 4.0KPa

MODLE	SG 700	SG 780	SG 900	SG 1100
<b>LPG</b>				
Nominal Pressure kPa	2.75 kPa	2.75 kPa	2.75 kPa	2.75 kPa
Nominal Injector Size mm	2 X 1.1mm	2 X 1.2mm	2 X 1.3mm	2 X 1.4mm
Burner Pressure High kPa	2.5	2.5	2.5	2.5
Burner Pressure Low kPa	0.75	0.75	0.75	0.75
MJ/h	29	38	42	50
Flame Effect Output Only	Effect	Effect	Effect	Effect
Supply Pipe Size dia—min	3/8"	3/8"	1/2"	1/2"
<b>Natural Gas</b>				
Nominal Pressure kPa	1.5 kPa	1.5 kPa	1.5 kPa	1.5 kPa
Nominal Injector Size mm	2 X 1.8mm	2 X 2mm	2 X 2.2mm	2 X 2.4mm
Burner Pressure High kPa	1.0	1.0	1.0	1.0
Burner Pressure Low kPa	0.3	0.3	0.3	0.3
MJ/h	35	41	48	60
Flame Effect Output Only	Effect	Effect	Effect	Effect
Supply Pipe Size dia—min	3/8"	1/2"	1/2"	1/2"

Lab. Test No	GL 923	GL 900	GL 834	GL 876
Lab. Test Dates	20/04/2010	26/02/10	26/06/09	24/12/09
ESS Declaration No:	1149420106	1149520106	1149720106	1149820106

**HEARTH CLEARANCES**



**Note: For Combustible Floors**

Minimum Hearth of 300mm (A) must be maintained at any given height.

Due to continued product improvement, Warmington Ind LTD reserves the right to change product specifications without prior notification.

## SG Range: Gas Convection Fireplaces

### TO THE INSTALLER / GAS FITTER and ELECTRICIAN

#### NOTES:

- Service annually or more if required.
- Custom built to clients requirements to relevant and current standards.
- The appliance and flue system must be installed in accordance with the relevant and current standards and the appropriate building codes.
- The appliance and flue system must be tested in accordance with the relevant and current standards and the appropriate building codes.

**FLUED GAS APPLIANCES** All Gas Fires requiring Warmington Flue Systems shall be Installed to the requirements of the current standards and shall be appropriately designed and constructed to permit safe and effective use. This Appliance must be flued to the outside atmosphere. All Warmington Fires must be Installed with a **minimum of 3.6m** of Approved **Warmington Gas Flue and Liners**.

**GAS TYPE** All Gas Fires shall operate safely on the Gas Type specified on the Appliance and shall comply with the requirements of The Gas Act 1992.

**APPLIANCE SAFETY** Any gas fire appliance shall comply with the safety requirements of the current standards listed under "Related documents" in this specification.

**ELECTRICAL REQUIREMENTS** All Gas Fire Appliances Installed with Mains Supplied Electrical components for associated use with these Appliances, must comply with The Electricity Regulations 1993.

**ELECTRONIC CONTROL SYSTEMS** Any Gas Fire Appliance Installed with Manual or Programmable Electronic Control System shall be tested and/or approved by a Recognised Person or Authority.

**SEISMIC RESTRAINTS** All Fires used for Domestic and Commercial Purposes shall be firmly secured (unless defined as portable or mobile) to prevent dislodgement from their point of fixture or Installation during Seismic Activity. Such Restraint must be of a reasonable expectation.

#### GAS CONNECTION

A Gas Certificate must be obtained for the Installation and Commissioning of this Appliance and Flue System.

Check that the Gas Type Specified on the Data Plate is correct for the available supply (LPG or NG).

A Copper Gas supply capable of supplying the correct MJ/h, should be brought into the rear of the Installation Cavity through the hole provided. A Flare Nut is provided on the Burner for Gas Connection to the Appliance.

### COMMISSIONING AND TESTING OF FIREPLACE (To be carried out by Gasfitter)

**Read all the instructions before commissioning. Install coals and logs and burner before commission.**

Light appliance and check HIGH/LOW settings. Check operation of appliance and adjust to suit.

Adjust control valve setting if required. After a period of running (30min Plus) check the setting of the pilot and adjust if required. See Spec's for details.

Extinguish appliance, remove test equipment and secure test nipple. Check for Gas Leaks.

Note\* The Control Valves are factory set and should not require adjustment.

#### GAS FITTER TO CARRY OUT STANDARD TESTING FOR COMMISSION:

Spill test taken at top of opening with smoke or smoke match .

leak testing appliance and joints .

correct operation of the burner and coal and log lay out .

test gas pressures high and low, drop test on supply line .

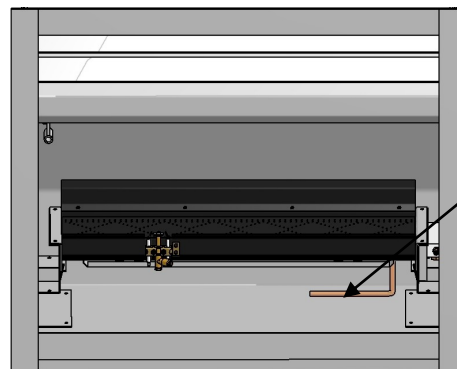
5 second light time across burner. Other testing that may be required .

Ventilation requirements to the standards .

Hand over to Client, tests and comply to relevant standards.

Burner may be Secured To the Firebox (Optional)

#### FITMENT OF BURNER

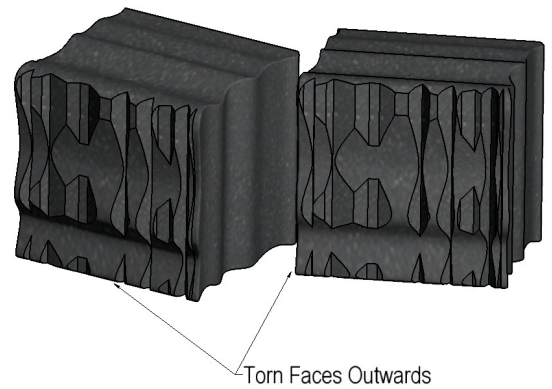
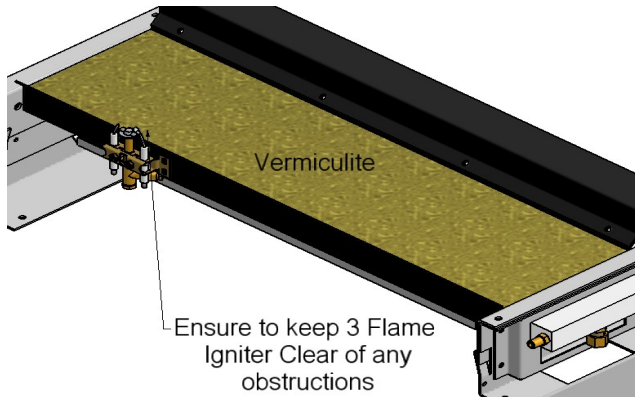


Gas Supply Pipe Into Fire, by Gasfitter. See Specs for Pipe Size.

Due to continued product improvement, Warmington Ind LTD reserves the right to change product specifications without prior notification.

**VERMICULITE (COURSE) (To be set by Gasfitter)**

General Coal orientation fro optimum effect.



**APPLYING THE VERMICULITE :** (Coarse—must be larger than the burner plates holes so not to block them)

Apply with care a thin layer of Vermiculite over the Burner, just enough to cover the Burner Tray only.

NOTE: If the burner flame is uneven, the Vermiculite may need to be changed or sifted to remove the smaller pieces that can block the burners holes. The smaller pieces can, cause uneven burn and the unit to run dirty.

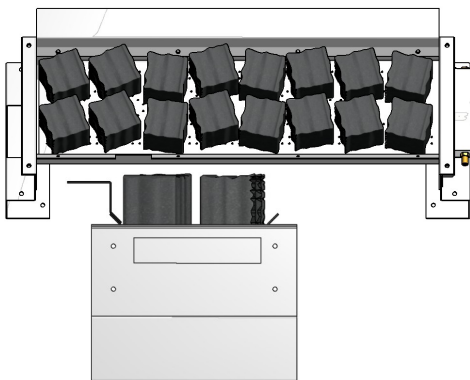
**COALS AND LOGS (To be set by Gasfitter)**

Gloves should be worn when handling Ceramic Fibre Coals & Logs: care needs to be taken when handling Coals & Logs, Due to the Carbon on the Coals can stain the surroundings.

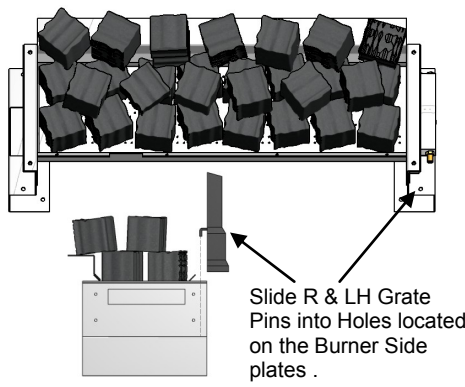
**HELPFUL HINTS: When Hot use Metal Tongs.**

Apply a thin layer of Vermiculite over the Burner, just enough to cover the Burner Tray only as shown above.

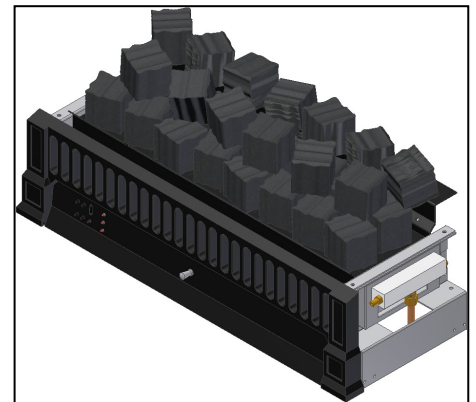
**1: Bottom Row :** Assemble 2 Bottom Rows of Coals onto the Vermiculite Base. **2: Top Row :** Assemble 2 Top Rows of Coals onto the Bottom Row.



**1: Bottom Row**



**2: Top Row**



Model SG780 Shown: Total number of coals will vary per model.

Each Coal randomly positioned with the Torn (roughest) Face Outward. **Ensure Coal positioning does not directly block the 3 Flame Pilot.**

The placement of the Coals & Logs may vary to make an even Flame Pattern.

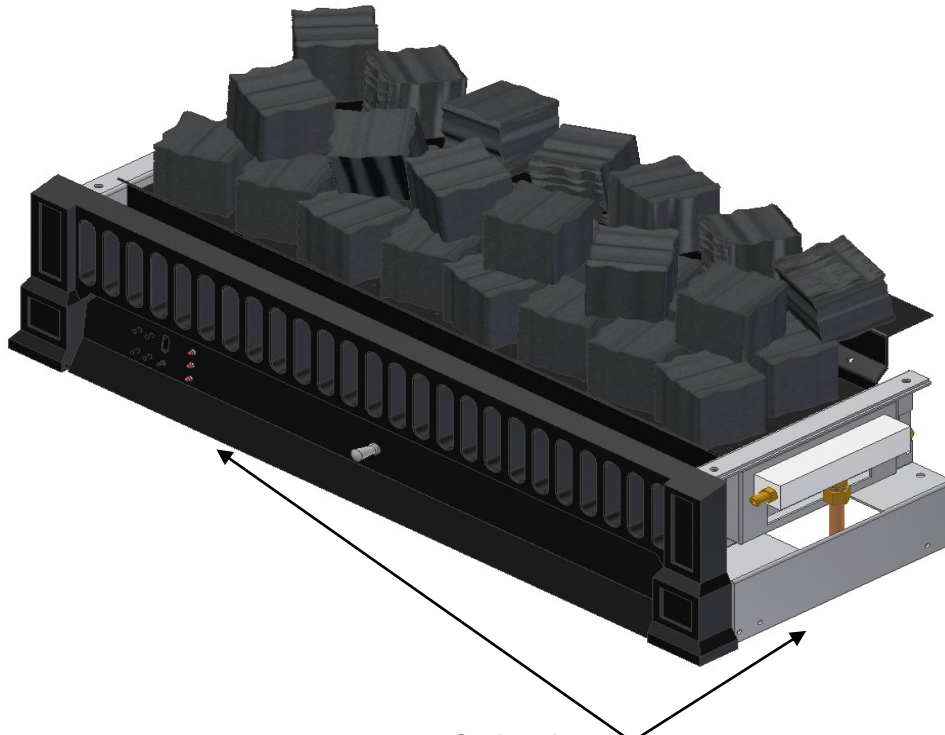
Logs and Twigs may be scattered to achieve best Visual Effect.

Fit Burner Grate by sliding R & L Side Metal Pins on Grate, into Holes Located on Burner Side Plates, as shown below.

Model	Number of Coals per Row		Number of Rows		Total Coals
	Top	Bottom	Top	Bottom	Total
SG 700	5	6	2	2	22
SG 780	6	8	2	2	28
SG 900	9	10	2	2	38
SG 1100	10	11	2	2	42

Due to continued product improvement, Warmington Ind LTD reserves the right to change product specifications without prior notification.

**OPTIONAL: BURNER RESTRIANTS.**



**Optional:  
Seismic Restraint**  
Secure Burner through 4X anchor points  
provided on Burner Side Plate Bases

**OPERATION OF YOUR WARMINGTON GAS CONVECTION FIRE (SG ONLY)**

***Your Fire must be Installed and Tested by a suitably qualified Gasfitter prior to use.***

**To light :**

Lower the control-cover by pulling it outwards.

Depress the Ignition Switch and hold in the '**PILOT**' position for 3-5 seconds. (This may take some time for the Gas to come through to the Pilot-3 Flame)

Strike the Igniter by turning to the '**STAR**' position, maintaining the Switch in a Depressed State ; (repeat steps 2 & 3 if necessary)

Once the Pilot Flame is lit, hold this position for 3-5 seconds , release from the Depressed State before setting the Flame Control to Full, it may take 3-5 seconds for the Burner to Light.

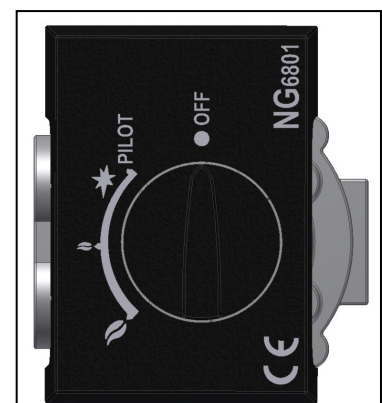
Once the Flame Bed is established, set the Flame Control to the desired level & close cover.

**To shut down :**

Open control cover by pulling it outwards.

Turn control switch to '**PILOT**'. Flame bed will extinguish.

Pilot light may be left running or extinguished by switching to '**OFF**' before closing cover.



Due to continued product improvement, Warmington Ind LTD reserves the right to change product specifications without prior notification.

**ADJUSTMENT OF HI—LOW PRESSURE**

**(SG ONLY)**

**(Only to be Adjusted by Gasfitter)**

**Adjustment of High & Low Settings Must be Carried out by a Certified Gas Fitter Only.**

Note\* Control Valves are Factory Set but may require adjustment onsite.

Turn Appliance Off & Remove Front Plastic Cover on Igniter, Pull Cover to Slide off.

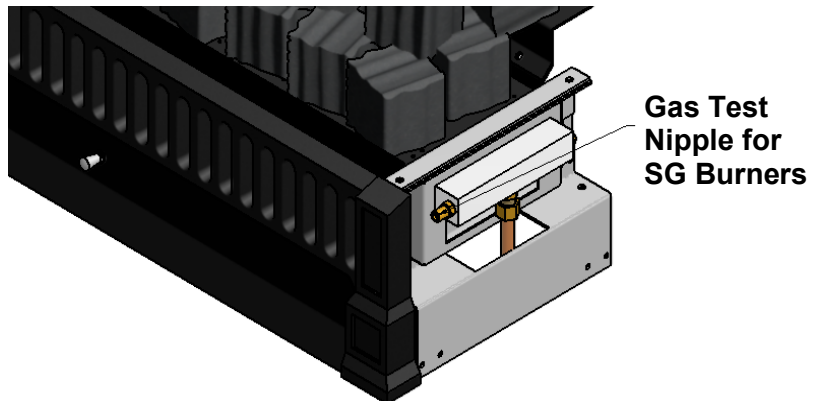
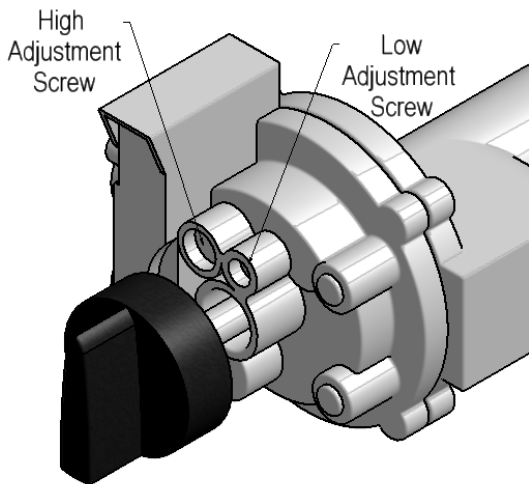
Unscrew Test Nipple on the Burner Manifold & fit the Test Gauge Securely - See Diagram.

\* To Set the High: Light the Burner & turn to High - Then Adjust the High Screw to the Desired Pressure. See page 10

\* To Set the Low Light the Burner & turn to Low - Then Adjust the Low Screw to the Desired Pressure. See page 10

Extinguish Appliance, remove Test Equipment and Secure Test Nipple.

\* Check Valve & Burner for Correct Operation & check Fire for Gas Leaks.



Note : Location of the Test Nipple - may vary from Model to Model

**ADJUSTMENT OF THE PILOT—3 FLAME**

**(BOTH SG & EG)**

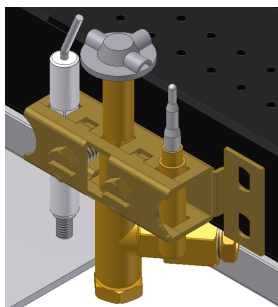
**(Only to be Adjusted by Gasfitter)**

**Note:** When the Base screw is removed, gas will leak from the out let, ensure that the pilot is not adjusted or the screw is removed when the fire is burning.

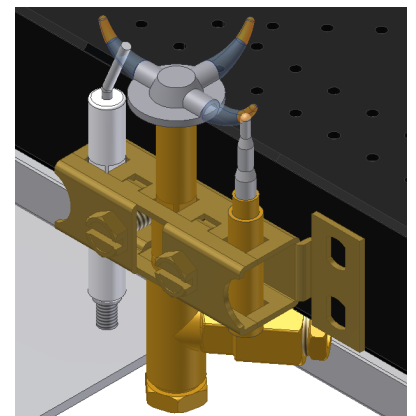
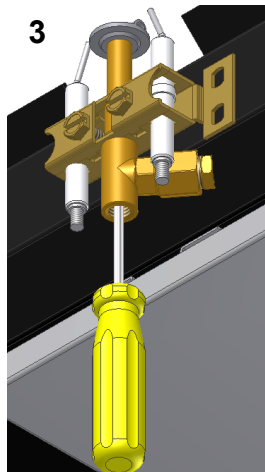
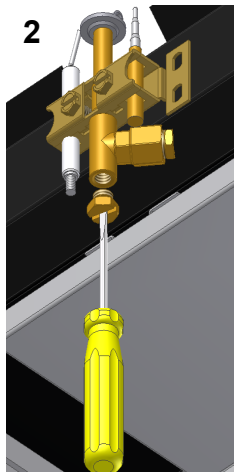
- Adjustment of Pilot - 3 Flame: Unscrew Base Screw as shown in Diagram 2.
- Insert a Screw Driver as shown in Diagram 3 and adjust the Adjustment Screw up inside the 3 Flame Pilot to adjust the Flame Height.
- The Flame must always be passing over the Electrodes &/or File Tube on either side.
- Replace the Base screw and check for leaks.

**Note: to Gas Fitters**

The 3 flame pilot may need adjustment after a period of running time on set up as the increase in heat in the fire will induce a higher draft in the fire, and may pull in flame away from the File Tube causing the fire to shut down.



3 Flame Pilot in Assembled State



Correct Operation of 3 Flame Pilot

Due to continued product improvement, Warmington Ind LTD reserves the right to change product specifications without prior notification.



## POINTS OF SAFETY—To the Customer /Home-Owner

Your Warmington Gas Decorative Fire operates on the principle of dual radiant and convected heat. Therefore it is important to observe the following precautions associated with any heating appliance or open fire.

- Do not cover or restrict the fireplace upper or lower vents in any way as this may result in a build-up of hazardous gases within the room.
- The fire is not intended for the drying of clothing, bedding etc.
- Avoid installing this appliance in high traffic areas, strong draughts or near drapes or furniture.
- The use of an approved fireguard is recommended for the protection of young children.
- Avoid using aerosols when the appliance is operating.
- Avoid anyone leaning against or lying directly in front of the fire while operating.
- Do not place anything objects into or against the gas fire at any stage.
- The fire may release a small amount of smoke on its first start up which may take 1or 2 hours to dissipate . This is part of the curing process so ensure there is adequate ventilation within the room.
- Always use a registered Gas Fitter or Electrician for installing and maintenance work
- Always use certified gas cylinders that have been tested and are safe to use.
- Never modify your gas appliance or its settings from those specified by the manufacturer.

**APPLIANCE SAFETY** Any gas fire appliance shall comply with the safety requirements of the current standards listed under "Related documents" in this specification.

**ELECTRONIC CONTROL SYSTEMS** Any gas fire appliance fitted with manual or programmable electronic control systems shall be tested and/or approved by a recognised person or authority.

**SEISMIC RESTRAINTS** All gas fires used for domestic and commercial purposes shall be firmly secured (unless defined as portable or mobile) to prevent dislodgement from their point of fixture or installation during seismic activity.

## WHAT DO YOU DO IF YOU SMELL GAS

Open windows and doors

Do not light any gas appliance

Do not use any electrical appliance or switches

Do not use the telephone in your home

Leave the building; shut off the domestic gas supply valve (beside your meter)

Call your gas supplier/gas fitter or the Fire Service for further advice

## MAINTENANCE

*\*Lighting your gas fire using electronic or remote ignition systems may vary as per manufacturer instructions*

Warmington Industries recommend annual servicing of your gas fire by an approved Warmington dealer Gas Fitter.

External surfaces should be dusted with a damp, lint-free cloth when the fire is cold.

Warmington Industries provide 12 months warranty from the date of purchase, for domestic or commercial installations.

### **This Warranty Covers :**

Replacement Parts and Labour for Gas Control Components due to Manufacturing Defects Only.

Repair or Replacement of the Burner or Firebox Components due to Manufacturing Defects Only.

Warranty cover will be considered void if the product is subject to incorrect installation, failure to operate the appliance in accordance with the supplied instructions and specifications or is subject to damage or misuse beyond the expected conditions of normal use.

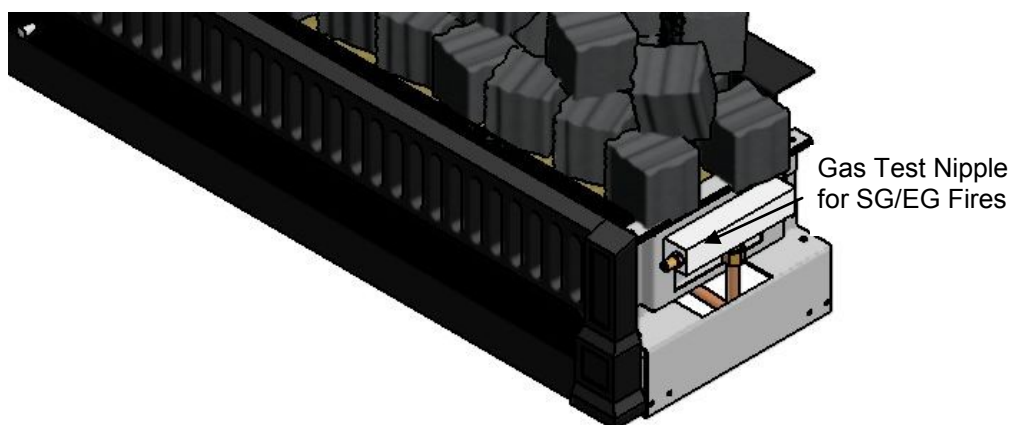
All installations and servicing must be carried out by and approved Warmington dealer or Gas Fitter.

**Due to continued product improvement, Warmington Ind LTD reserves the right to change product specifications without prior notification.**

**PROCEDURE FOR THE TEST AND COMISSIONING OF YOUR DECORATIVE FIRE.**

**Ensure Gas Supply and the Power Supply (caution 240V) to the Unit.**

- Refer to Data Plate on this Specification for settings. The Data Plate is attached to the under carriage of the Burner.
- Remove Front Grate ensure the CAT5 cable to the Control Receiver is still connected.
- Loosen the Jet Test point and attach manometer (Digital is preferred). The Test Point is on the Right Hand Side of the Gas Burner, as Shown Below.



Note : Location of Test Nipple may vary from Model to Model .

- Light Appliance, adjust to High Flame setting and check pressure, adjust to Low Flame and check pressure.

**NOTE: If setting the Pressure is required it is to be carried out by a Certified Gas Fitter.**

- If adjustments are necessary, remove the cap. The Pressure Adjustment Screw and Nut are on the Front Side of the Gas Control Valve (shown in Diagram B in this specification) and are **Factory** set.

**High Pressure Setting:** Set the modulator to Maximum Condition. Screw in **Nut A** to Increase the Outlet Pressure then screw Nut A out to Decrease the Pressure to the desired settings. Use 10mm spanner.

**Low Pressure Setting:** Turn Off the Power to the Modulator and keep Nut A stationary. Use a screwdriver to screw in **Screw B** to Increase the Pressure and Screw it Out to Decrease the Pressure. Carefully replace the Modulator Plastic Cap.

**WARNING:** To ensure the Correct Operation of the Modulator it is necessary that the Plastic Cap is returned to its original location.

**GENERAL NOTES****NOTES:**

- These installation and operating instructions should be kept in a safe place. Should you require another copy, download from the **Warmington** website [www.warmington.co.nz](http://www.warmington.co.nz)
- This appliance must be installed in accordance with the manufacturer's written instructions to comply with the **Warmington** warranty.
- The appliance and flue system must be installed in accordance with relevant standards and the appropriate building codes.
- This appliance must be serviced annually and any service operation must be carried out by a qualified service person.

**WARNINGS:**

- **WARNING; ANY MODIFICATION OF THE APPLIANCE THAT HAS NOT BEEN APPROVED IN WRITING BY THE TESTING AUTHORITY IS CONSIDERED A BREACH OF NZ STANDARDS.**
- **WARNING; DO NOT USE OR STORE FLAMMABLE LIQUIDS OR AEROSOLS IN THE VICINITY OF THIS APPLIANCE WHILST IN OPERATION.**
- **WARNING; DO NOT PLACE FLAMMABLE MATERIALS ON OR AGAINST THIS APPLIANCE.**
- **CAUTION:** THIS APPLIANCE SHOULD BE MAINTAINED AND OPERATED AT ALL TIMES IN ACCORDANCE WITH THESE INSTRUCTIONS.
- **CAUTION:** ALL SERVICING MUST BE CARRIED OUT BY AN AUTHORISED SERVICE TECHNICIAN.
- **CAUTION:** MAKE SURE THE USE OF CORRECT FUEL TYPE WITH THIS APPLIANCE.

**NOTE: Keep a copy of these instructions for operating and maintenance guidelines.**



Industries 1994 LTD  
PO Box 58652, Botany 2163, Auckland [www.warmington.co.nz](http://www.warmington.co.nz)

Due to continued product improvement, Warmington Ind LTD reserves the right to change product specifications without prior notification.