

Warmington Gas Open Fire

SG 1500 Double Flue Firebox

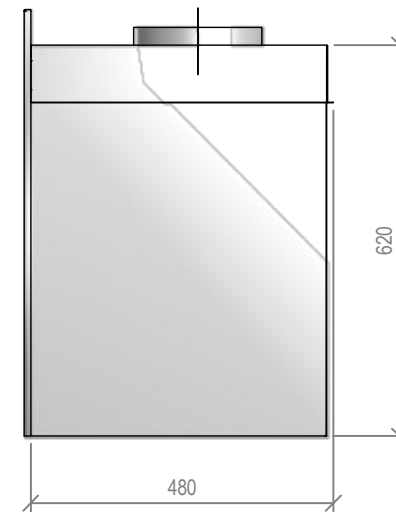
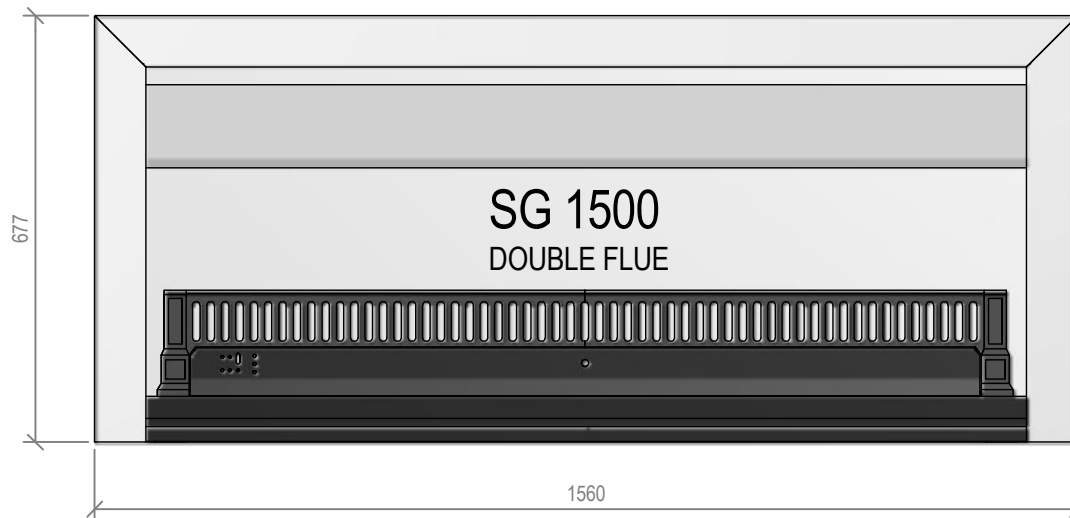
Fire, Flue System to Comply with NZS 5261 / 5262 : 2003

Due to continued product improvement, Warmington Ind LTD reserves the right to change product specifications without prior notification.

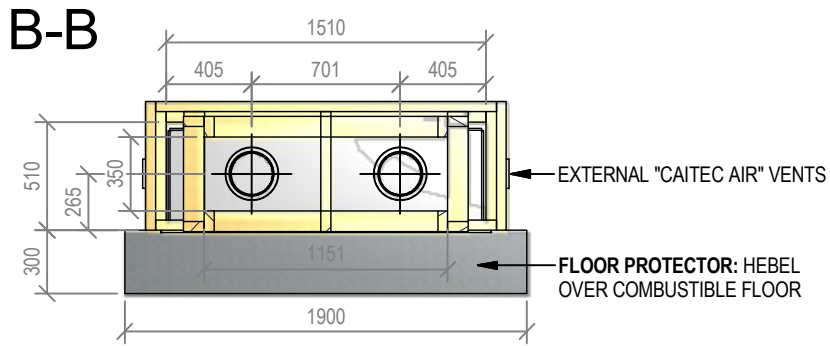
Read all the Instructions carefully before commencing the Installation. Failure to follow these instructions may result in a fire hazard and void the warranty

For Specification See: www.warmington.co.nz

Copyright ©



| | |
|--|-----------------------------|
| Warmington Industries Ltd. | |
| PH: 09 273 9227 FAX: 09 273 9241 WEB: www.warmington.co.nz | |
| TITLE | SG 1500 DOUBLE FLUE FIREBOX |
| DRAWN | ALAN |
| SCALE | NOT TO SCALE |
| DATE | 14/07/11 |
| REVISION | 01 |



Warmington Gas Open Fire

SG 1500 Double Flue Timber Framing

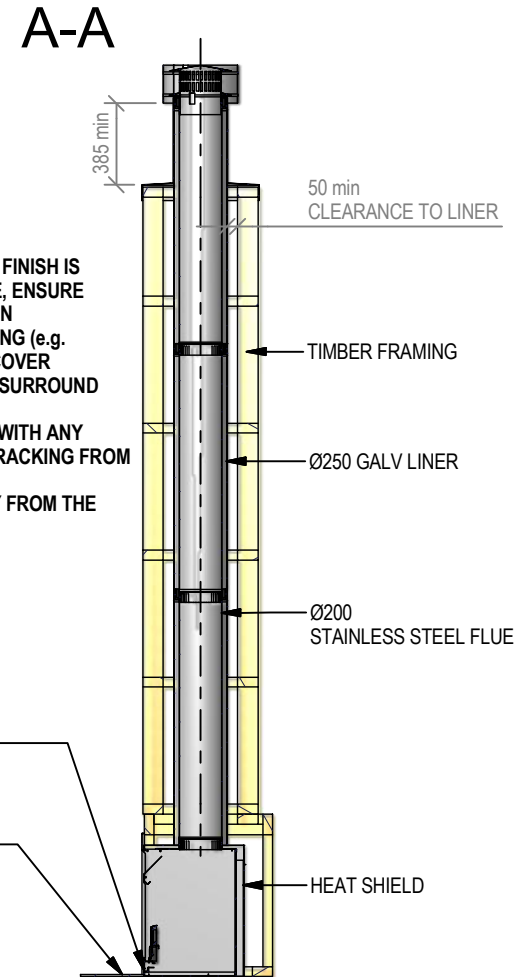
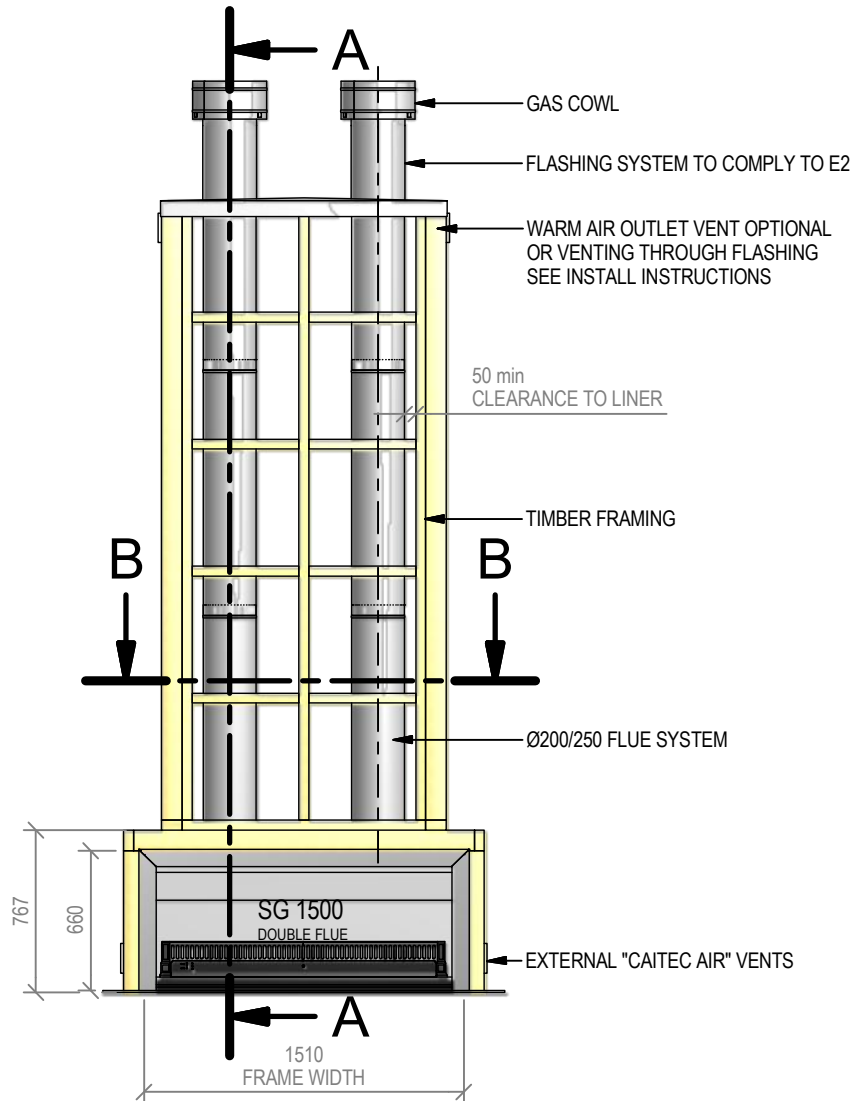
Fire, Flue System to Comply with NZS 5261 / 5262 : 2003

Due to continued product improvement, Warmington Ind LTD reserves the right to change product specifications without prior notification.

Read all the Instructions carefully before commencing the Installation. Failure to follow these instructions may result in a fire hazard and void the warranty

For Specification See: www.warmington.co.nz

Copyright ©



IMPORTANT NOTE:

WHERE AN INTERNAL WALL BOARD FINISH IS REQUIRED AROUND THE FIREPLACE, ENSURE ALLOWANCE IS MADE TO PLACE NON COMBUSTIBLE INTERNAL WALL LINING (e.g. PROMINA ETERPAN, SUPALUX) TO COVER THE EXTENT OF THE HEBEL BLOCK SURROUND

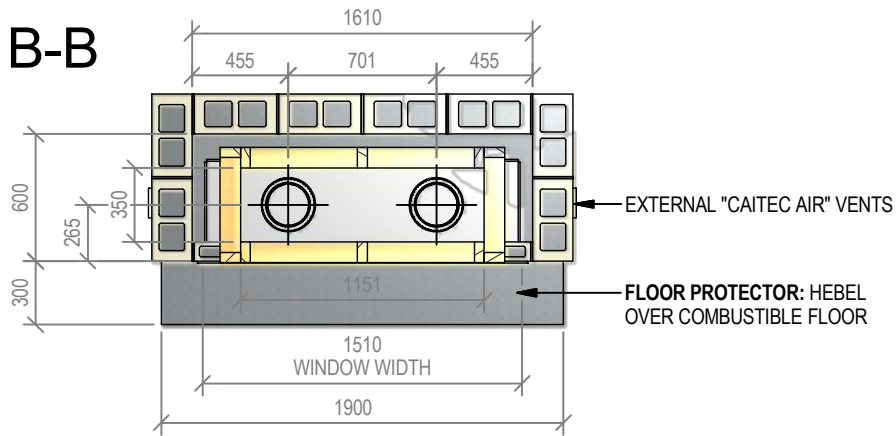
DIRECTLY TOUCHING THE FIREBOX WITH ANY BOARD OR PLASTER MAY CAUSE CRACKING FROM HEAT EXPANSION
ALLOW 3mm MINIMUM SPACE AWAY FROM THE FIREBOX

ENSURE THE LOWER AIR INTAKE IS NOT OBSTRUCTED

ALLOW FINISHING ON FLOOR PROTECTOR

NOTE:
WARMINGTON CAITEC AIR IS REQUIRED
SEE SPECIFIC INSTALL INSTRUCTION

| | | | |
|--|------------------------------------|----------|----------|
| Warmington Industries Ltd. | | | |
| PH: 09 273 9227 FAX: 09 273 9241 WEB: www.warmington.co.nz | | | |
| TITLE | SG 1500 DOUBLE FLUE TIMBER FRAMING | DATE | 14/07/11 |
| DRAWN | ALAN | REVISION | 01 |
| SCALE | NOT TO SCALE | | |



Warmington Gas Open Fire

SG 1500 Double Flue Block Enclosure

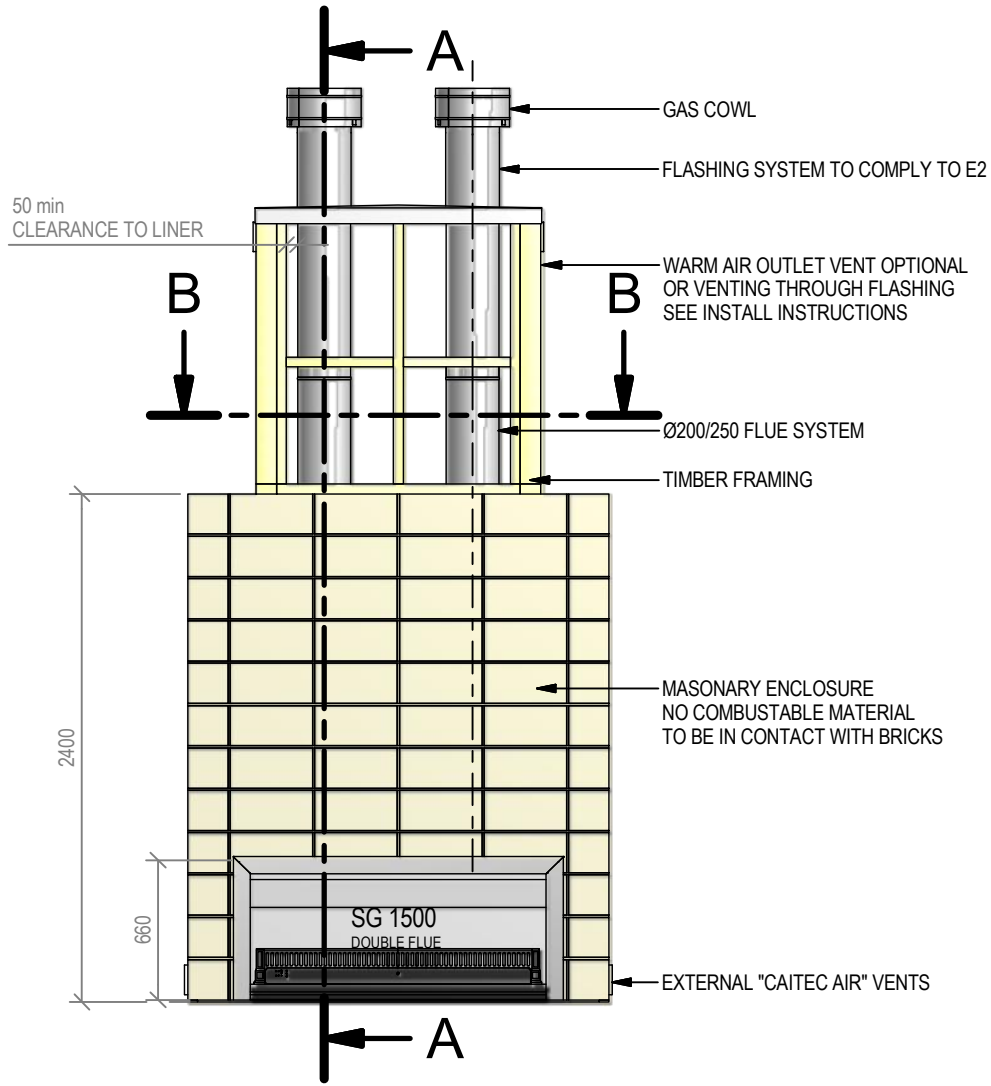
Fire, Flue System to Comply with NZS 5261 / 5262 : 2003

Due to continued product improvement, Warmington Ind LTD reserves the right to change product specifications without prior notification.

Read all the Instructions carefully before commencing the Installation. Failure to follow these instructions may result in a fire hazard and void the warranty

For Specification See: www.warmington.co.nz

Copyright ©



IMPORTANT NOTE:

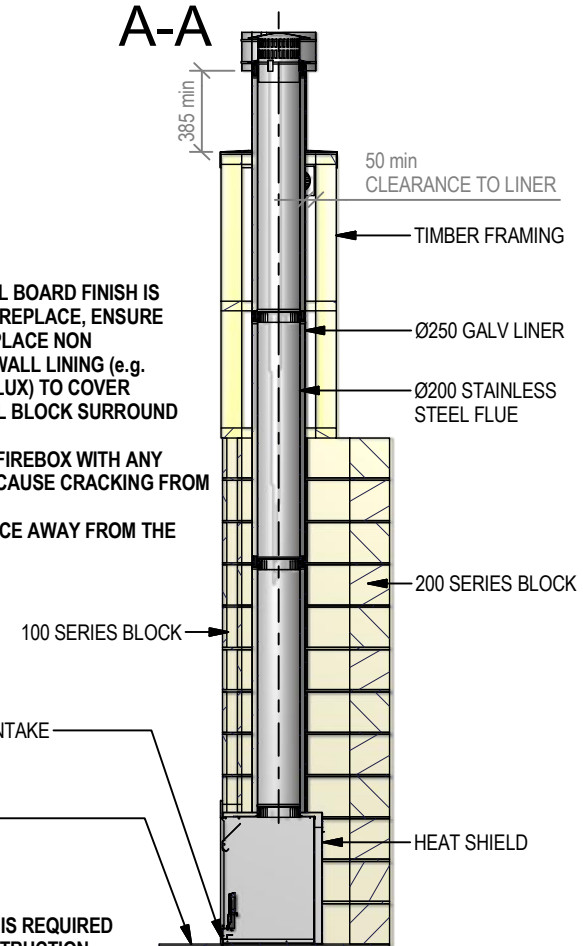
WHERE AN INTERNAL WALL BOARD FINISH IS REQUIRED AROUND THE FIREPLACE, ENSURE ALLOWANCE IS MADE TO PLACE NON COMBUSTIBLE INTERNAL WALL LINING (e.g. PROMINA ETERPAN, SUPALUX) TO COVER THE EXTENT OF THE HEBEL BLOCK SURROUND

DIRECTLY TOUCHING THE FIREBOX WITH ANY BOARD OR PLASTER MAY CAUSE CRACKING FROM HEAT EXPANSION
ALLOW 3mm MINIMUM SPACE AWAY FROM THE FIREBOX

ENSURE THE LOWER AIR INTAKE IS NOT OBSTRUCTED

ALLOW FINISHING ON FLOOR PROTECTOR

NOTE:
WARMINGTON CAITEC AIR IS REQUIRED
SEE SPECIFIC INSTALL INSTRUCTION



| | | | |
|--|-------------------------------------|----------|----------|
| Warmington Industries Ltd. | | | |
| PH: 09 273 9227 FAX: 09 273 9241 WEB: www.warmington.co.nz | | | |
| TITLE | SG 1500 DOUBLE FLUE BLOCK ENCLOSURE | DATE | 14/07/11 |
| DRAWN | ALAN | REVISION | 01 |
| SCALE | NOT TO SCALE | | |