

Warmington Gas Open Fire SG 1100 Square Top Freestanding Cabinet

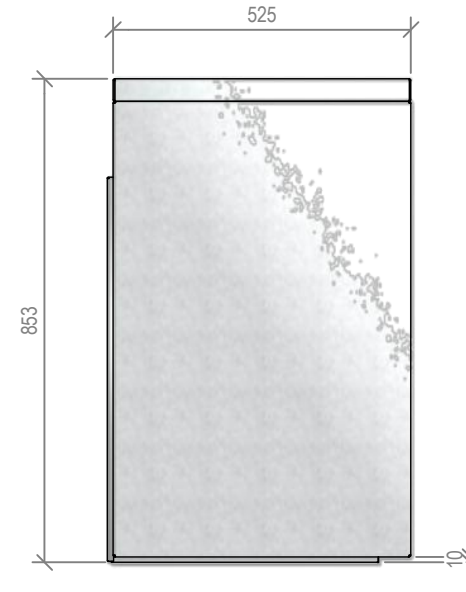
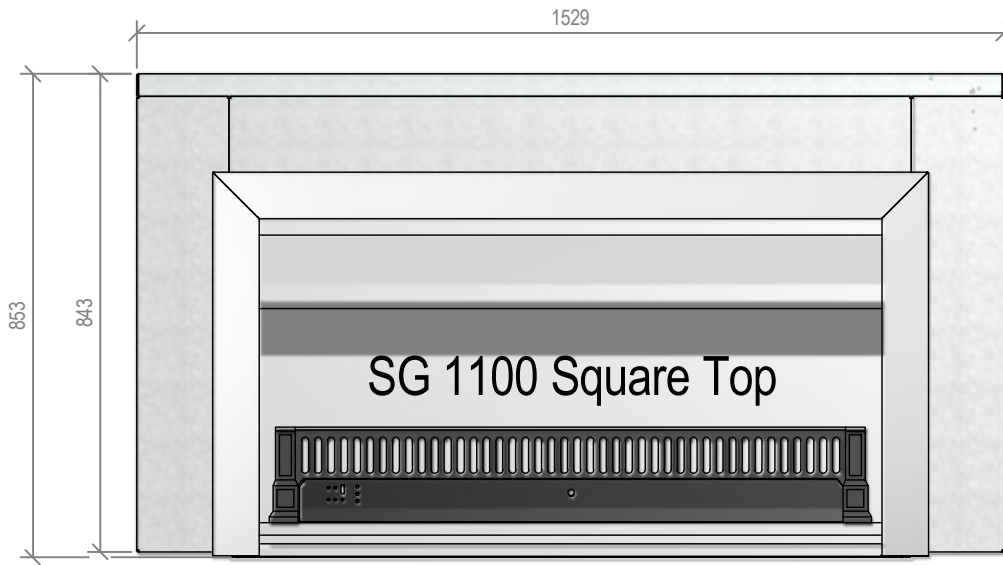
Fire, Flue System to Comply with NZS 5261 / 5262 : 2003

Due to continued product improvement, Warmington Ind LTD reserves the right to change product specifications without prior notification.

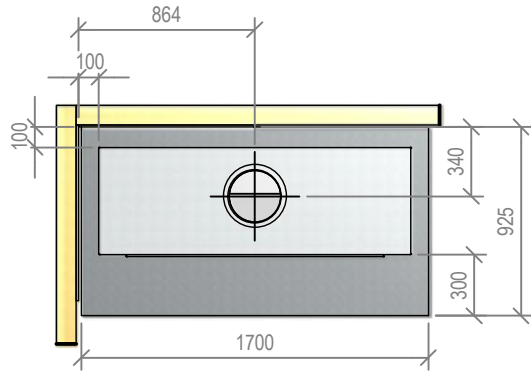
Read all the Instructions carefully before commencing the Installation. Failure to follow these instructions may result in a fire hazard and void the warranty

For Specification See: www.warmington.co.nz

Copyright ©



Warmington Industries Ltd.	
PH: 09 273 9227 FAX: 09 273 9241 WEB: www.warmington.co.nz	
TITLE	SG 1100 SQUARE TOP FREESTANDING CABINET
DRAWN	ALAN
DATE	17/06/11
SCALE	NOT TO SCALE
REVISION	01



Warrington Gas Open Fire

SG 1100 Square Top Freestanding Cabinet - Straight Hearth

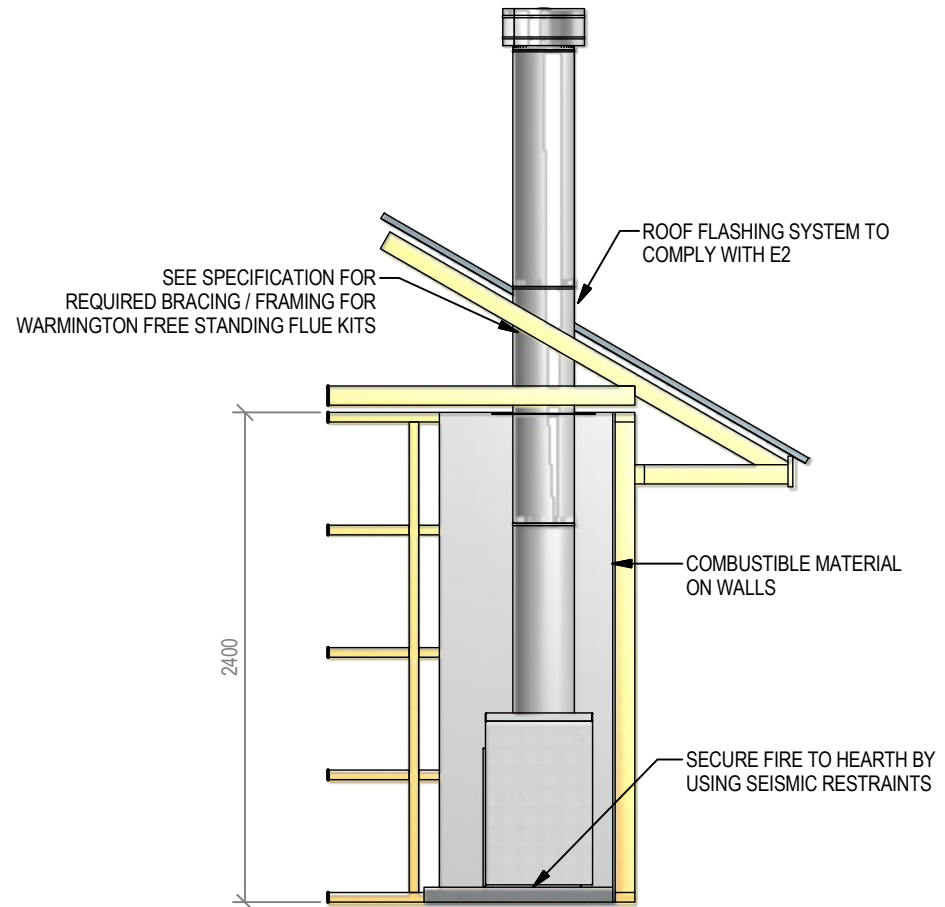
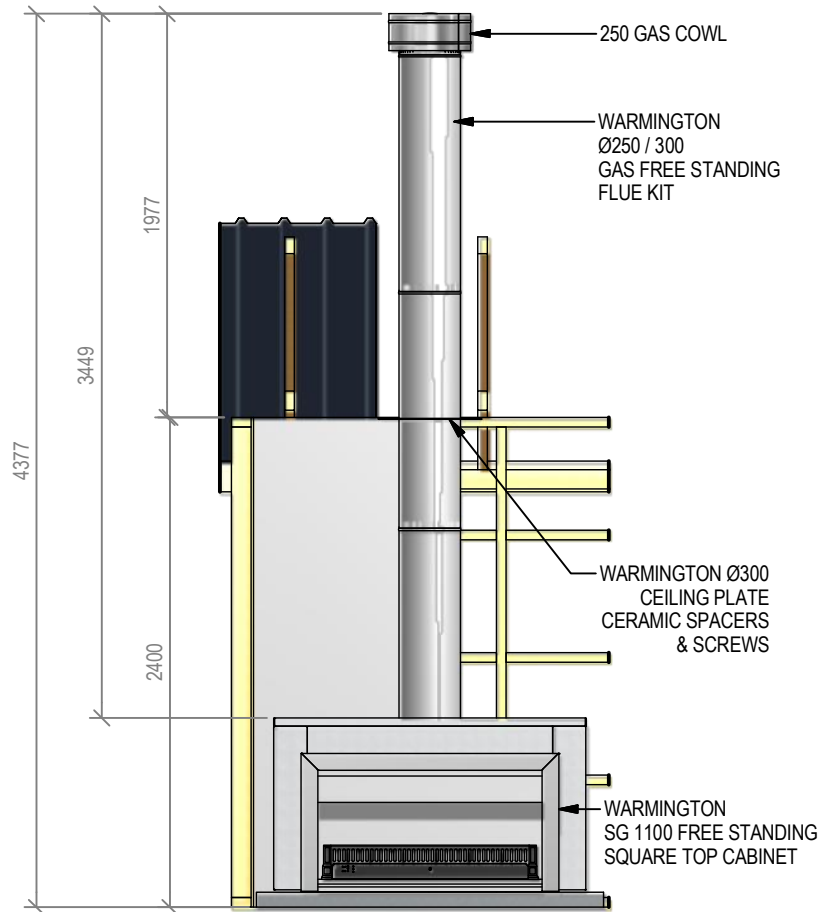
Fire, Flue System to Comply with NZS 5261 / 5262 : 2003

Due to continued product improvement, Warrington Ind LTD reserves the right to change product specifications without prior notification.

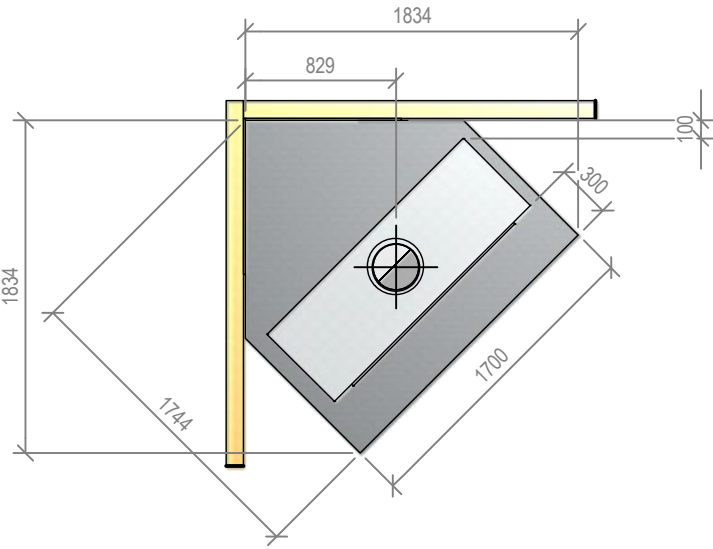
Read all the instructions carefully before commencing the Installation. Failure to follow these instructions may result in a fire hazard and void the warranty

For Specification See: www.warrington.co.nz

Copyright ©



Warrington Industries Ltd.			
PH: 09 273 9227 FAX: 09 273 9241 WEB: www.warrington.co.nz			
TITLE	SG 1100 SQUARE TOP FREESTANDING CABINET - STRAIGHT HEARTH	DATE	17/06/11
DRAWN	ALAN	REVISION	01
SCALE	NOT TO SCALE		



Warmington Gas Open Fire

SG 1100 Square Top Freestanding Cabinet - Corner Hearth

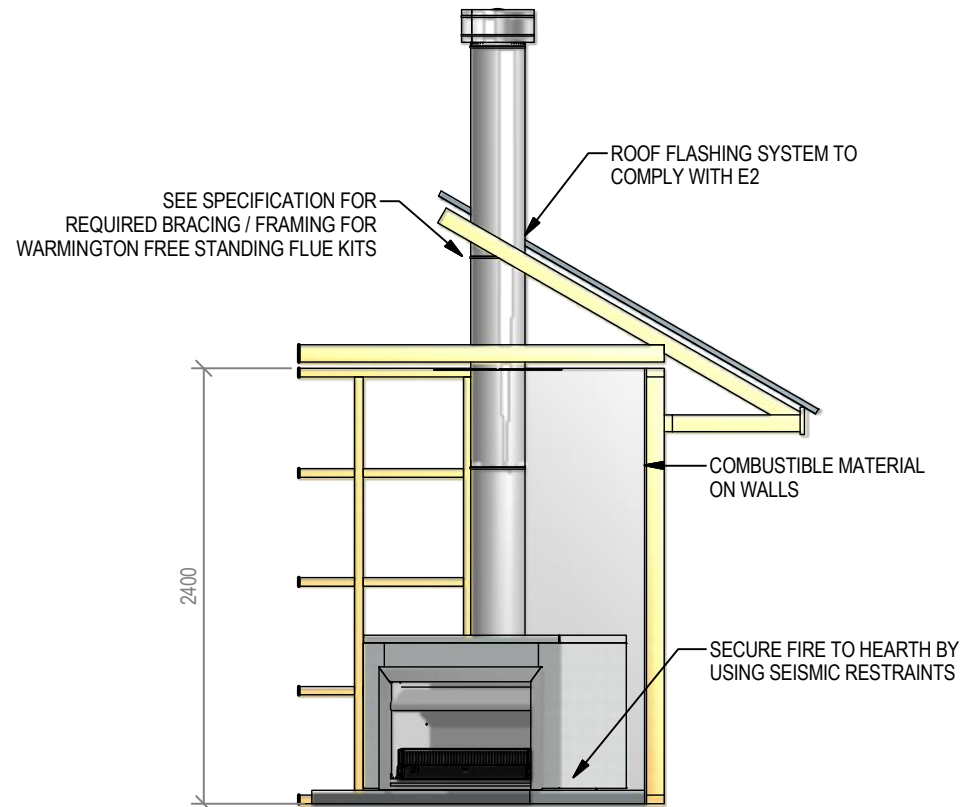
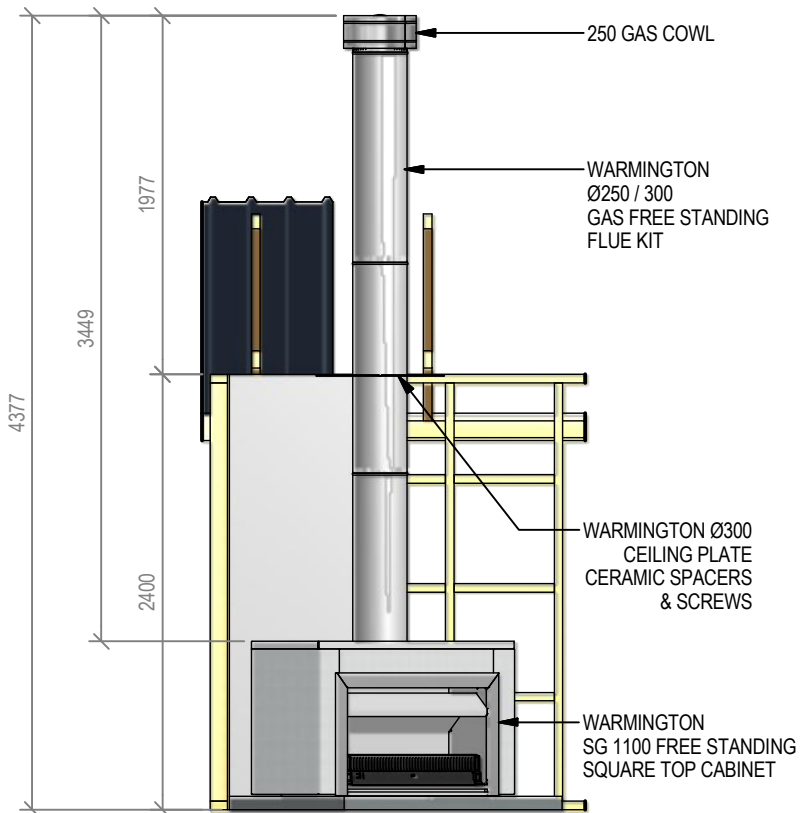
Fire, Flue System to Comply with NZS 5261 / 5262 : 2003

Due to continued product improvement, Warmington Ind LTD reserves the right to change product specifications without prior notification.

Read all the Instructions carefully before commencing the Installation. Failure to follow these instructions may result in a fire hazard and void the warranty

For Specification See: www.warmington.co.nz

Copyright ©



Warmington Industries Ltd.	
PH: 09 273 9227 FAX: 09 273 9241 WEB: www.warmington.co.nz	
TITLE	SG 1100 SQUARE TOP FREESTANDING CABINET - CORNER HEARTH
DRAWN	ALAN
DATE	17/06/11
SCALE	NOT TO SCALE
REVISION	01