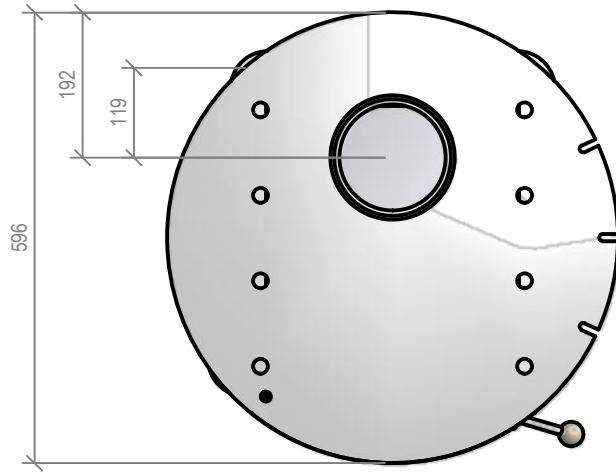


Plan Elevation



## Warmington Oh - Ah Fire

Warmington Oh - Ah Firebox .

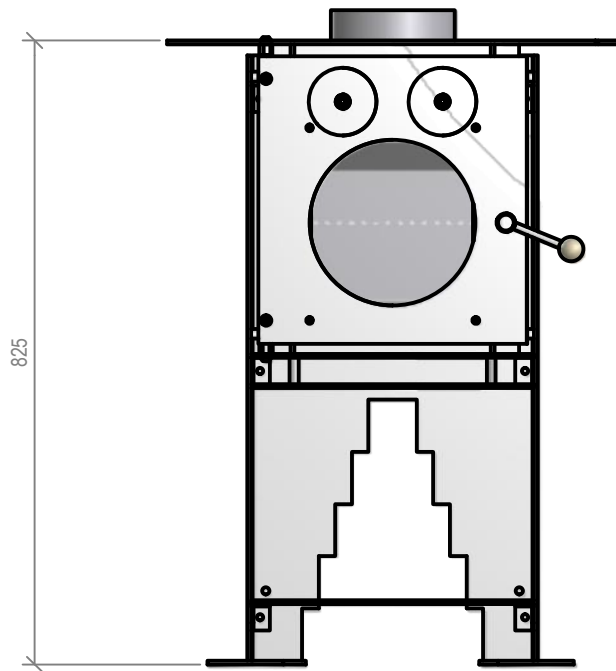
Fire & Flue System to comply with AS/NZS 2918:2001.

**Due to continued product improvement, Warmington Ind LTD reserves the right to change product specifications without prior notification.**

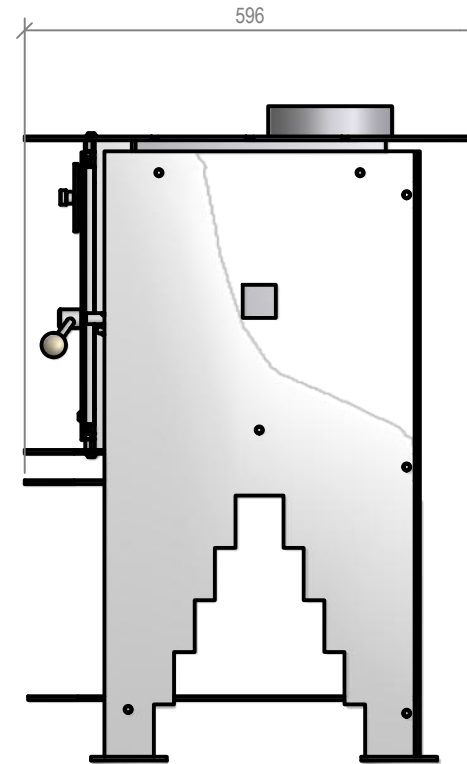
Read all the Instructions carefully before commencing the Installation. Failure to follow these instructions may result in a fire hazard and void the warranty

For Specification See: [www.warmington.co.nz](http://www.warmington.co.nz)

Copyright ©



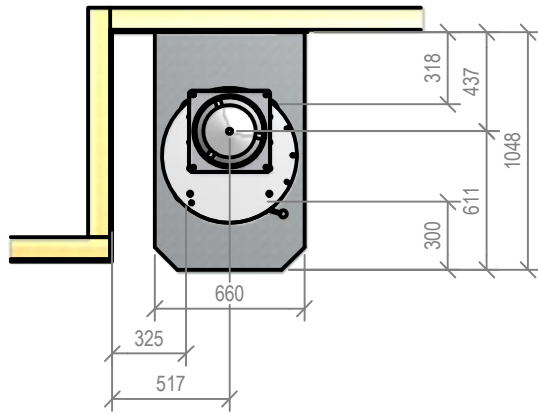
Front Elevation



Side Elevation

<b>Warmington Industries Ltd.</b>	
PH: 09 273 9227 FAX: 09 273 9241 WEB: <a href="http://www.warmington.co.nz">www.warmington.co.nz</a>	
TITLE OH-AH FIREBOX	DATE 26/04/11
DRAWN BRYCE	REVISION
SCALE	

Plan Elevation



## Warmington Oh - Ah Fire

Warmington Oh - Ah Firebox - SITUATION 1  
 Warmington 3.6m Freestanding Fluekit (1.2-2.4m Combo) .  
 Straight Wall Installation .

Fire & Flue System to comply with AS/NZS 2918:2001.

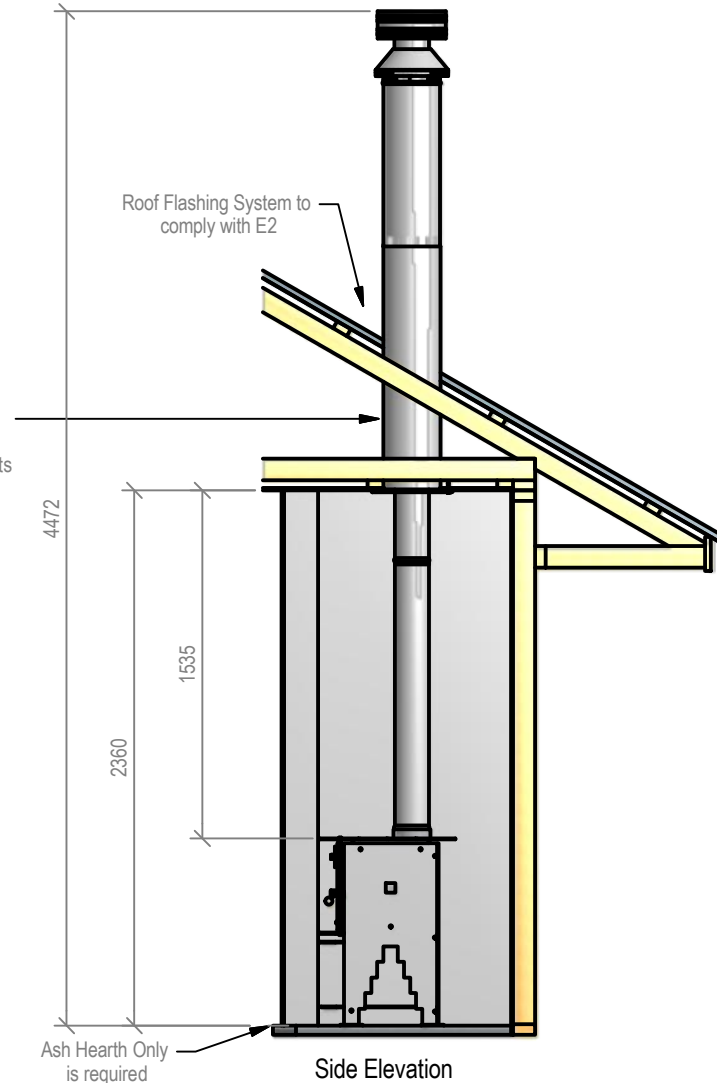
**Due to continued product improvement, Warmington Ind LTD reserves the right to change product specifications without prior notification.**

Read all the Instructions carefully before commencing the Installation. Failure to follow these instructions may result in a fire hazard and void the warranty

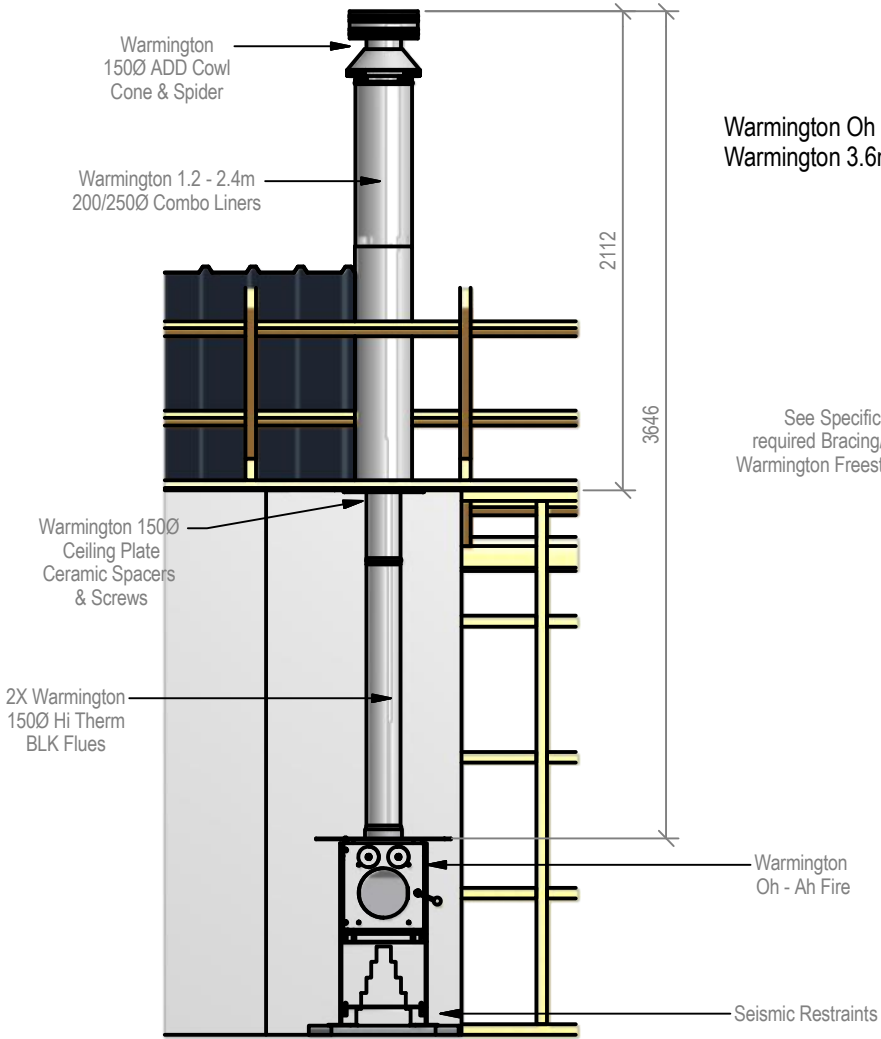
For Specification See: [www.warmington.co.nz](http://www.warmington.co.nz)

Copyright ©

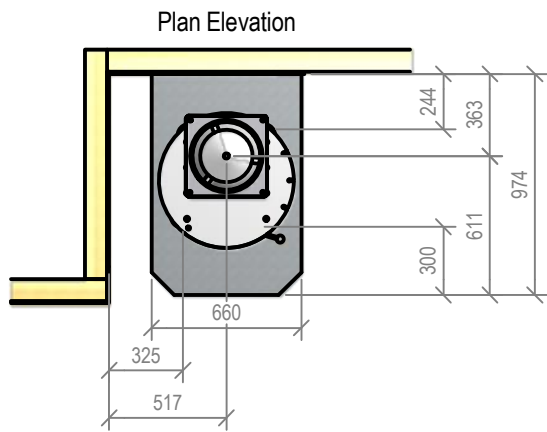
Warmington Oh - Ah Fire & Warmington 3.6m Fluekit



Front Elevation



<b>Warmington Industries Ltd.</b>	
PH: 09 273 9227 FAX: 09 273 9241 WEB: <a href="http://www.warmington.co.nz">www.warmington.co.nz</a>	
TITLE	OH-AH FIRE - STRAIGHT WALL - SITUATION 1
DRAWN	BRYCE
DATE	26/04/11
SCALE	REVISION



## Warmington Oh - Ah Fire

Warmington Oh - Ah Firebox - SITUATION 2  
 Warmington 3.6m Freestanding Fluekit (1.2-2.4m Combo) .  
 Straight Wall Installation .

Fire & Flue System to comply with AS/NZS 2918:2001.

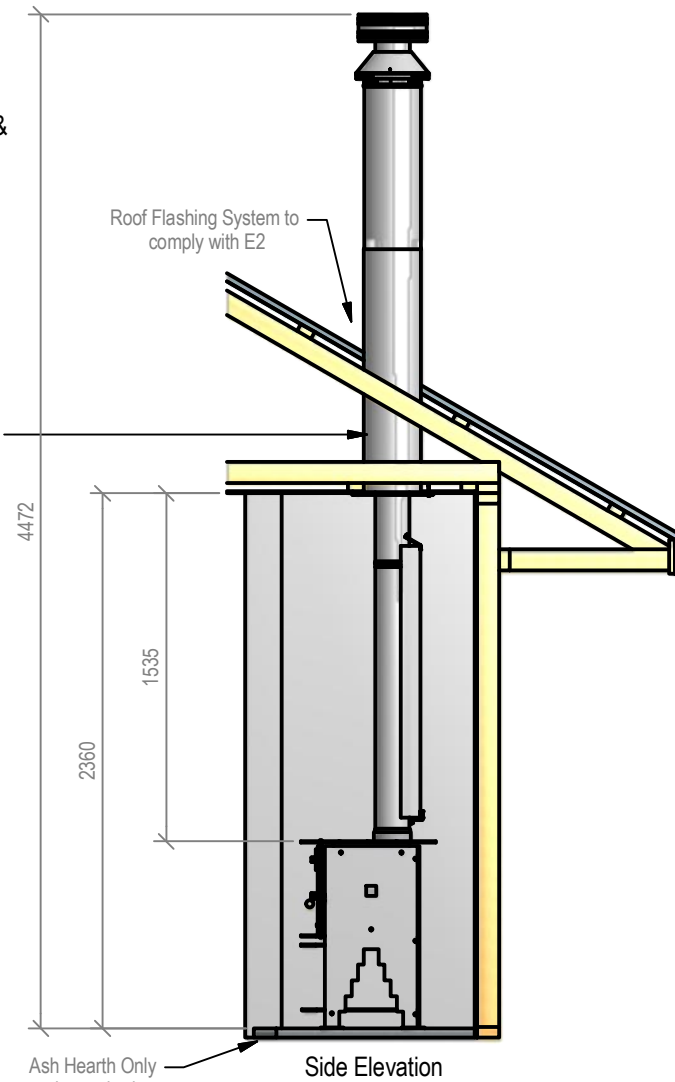
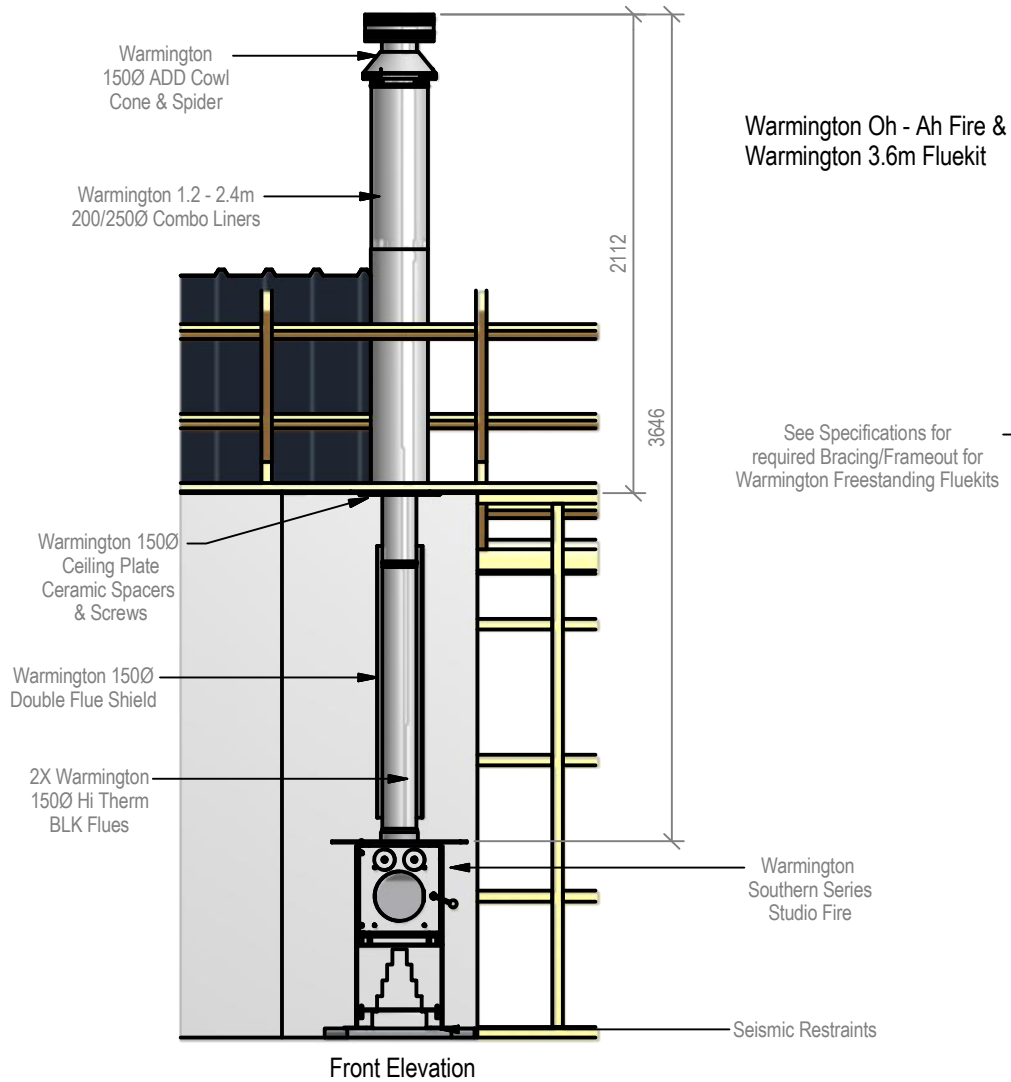
**Due to continued product improvement, Warmington Ind LTD reserves the right to change product specifications without prior notification.**

Read all the Instructions carefully before commencing the Installation. Failure to follow these

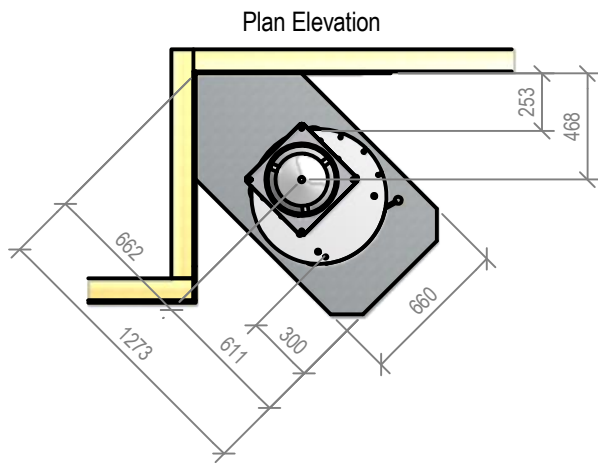
instructions may result in a fire hazard and void the warranty

For Specification See: [www.warmington.co.nz](http://www.warmington.co.nz)

Copyright ©



<b>Warmington Industries Ltd.</b>	
PH: 09 273 9227 FAX: 09 273 9241 WEB: <a href="http://www.warmington.co.nz">www.warmington.co.nz</a>	
TITLE	OH-AH FIRE - STRAIGHT WALL - SITUATION 2
DRAWN	BRYCE
DATE	26/04/11
SCALE	REVISION



## Warmington Oh - Ah Fire

Warmington Oh - Ah Firebox - SITUATION 1  
 Warmington 3.6m Freestanding Fluekit (1.2-2.4m Combo) .  
 Corner Installation .

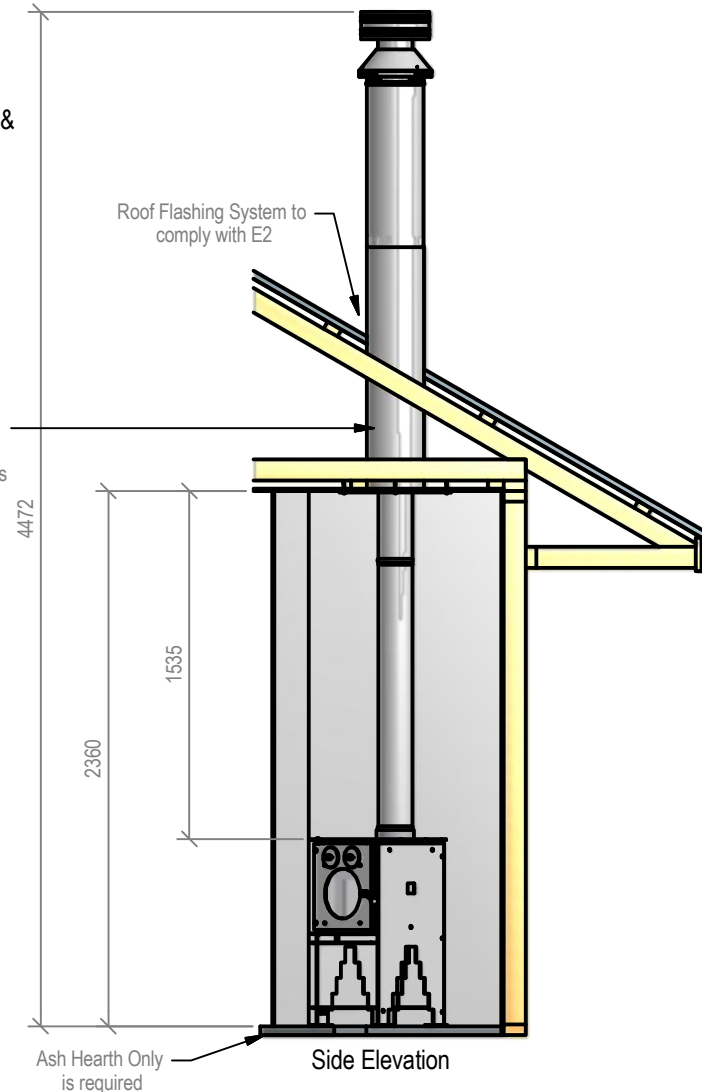
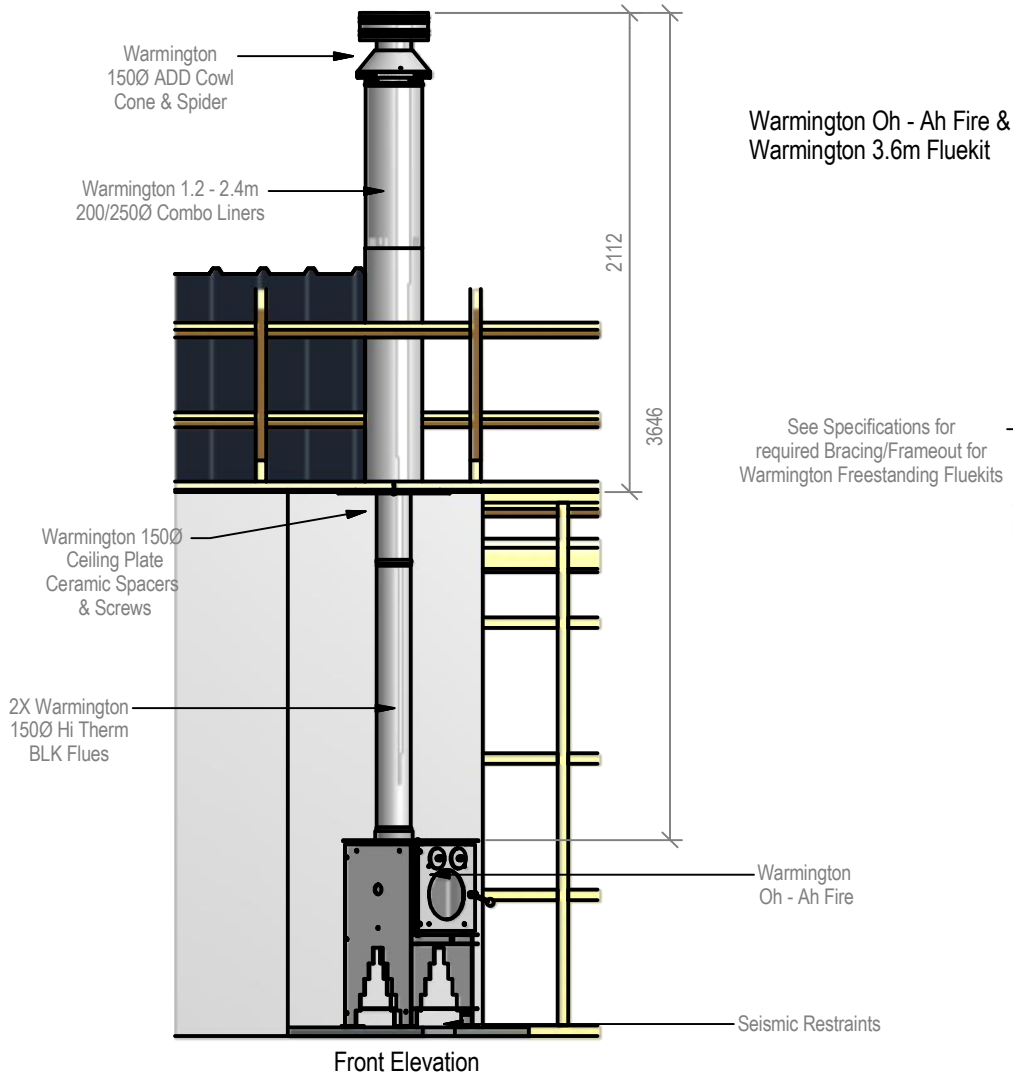
Fire & Flue System to comply with AS/NZS 2918:2001.

**Due to continued product improvement, Warmington Ind LTD reserves the right to change product specifications without prior notification.**

Read all the Instructions carefully before commencing the Installation. Failure to follow these instructions may result in a fire hazard and void the warranty

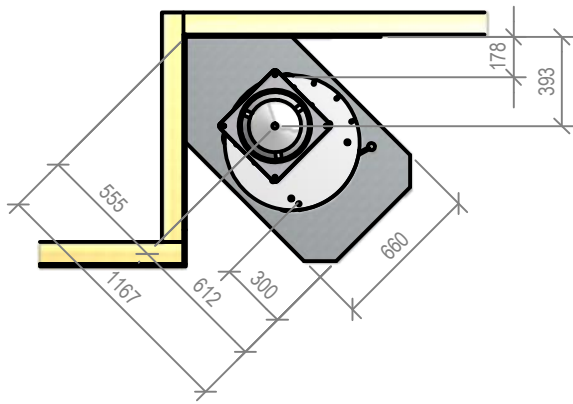
For Specification See: [www.warmington.co.nz](http://www.warmington.co.nz)

Copyright ©



<b>Warmington Industries Ltd.</b>	
PH: 09 273 9227 FAX: 09 273 9241 WEB: <a href="http://www.warmington.co.nz">www.warmington.co.nz</a>	
TITLE	OH-AH FIRE - CORNER - SITUATION 1
DRAWN	BRYCE
DATE	26/04/11
SCALE	REVISION

Plan Elevation



## Warmington Oh - Ah Fire

Warmington Oh - Ah Firebox - SITUATION 2  
 Warmington 3.6m Freestanding Fluekit (1.2-2.4m Combo) .  
 Cornerl Installation .

Fire & Flue System to comply with AS/NZS 2918:2001.

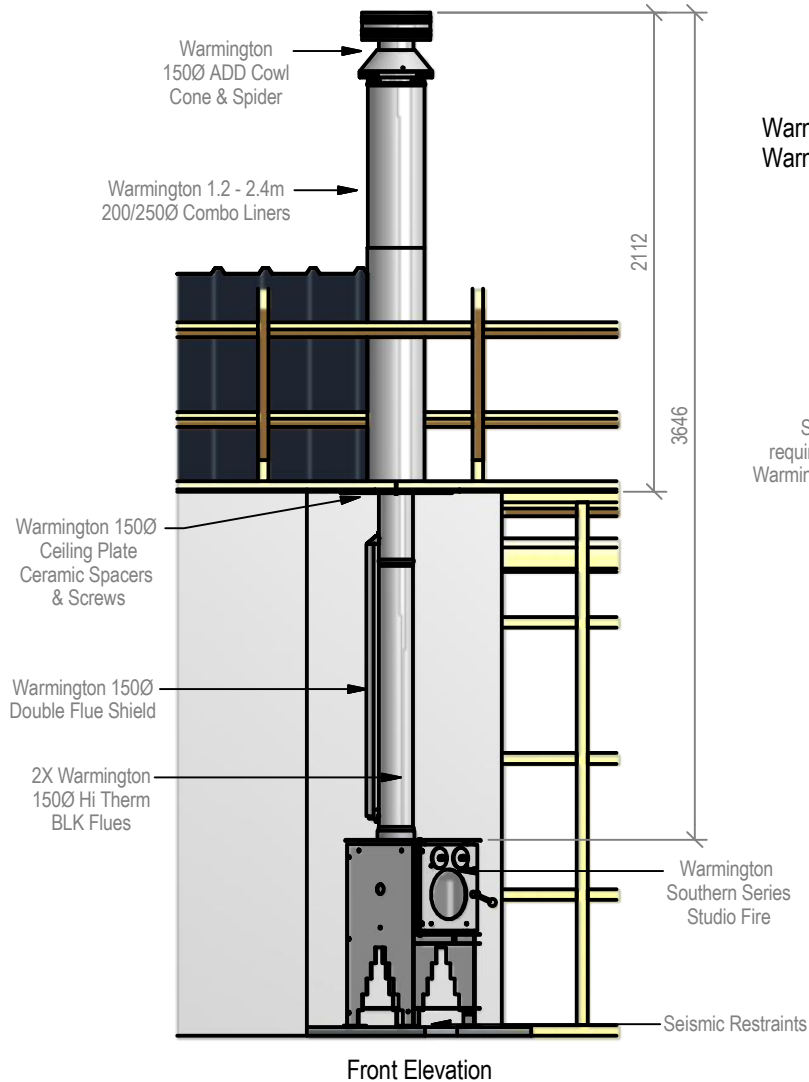
**Due to continued product improvement, Warmington Ind LTD reserves the right to change product specifications without prior notification.**

Read all the Instructions carefully before commencing the Installation. Failure to follow these instructions may result in a fire hazard and void the warranty

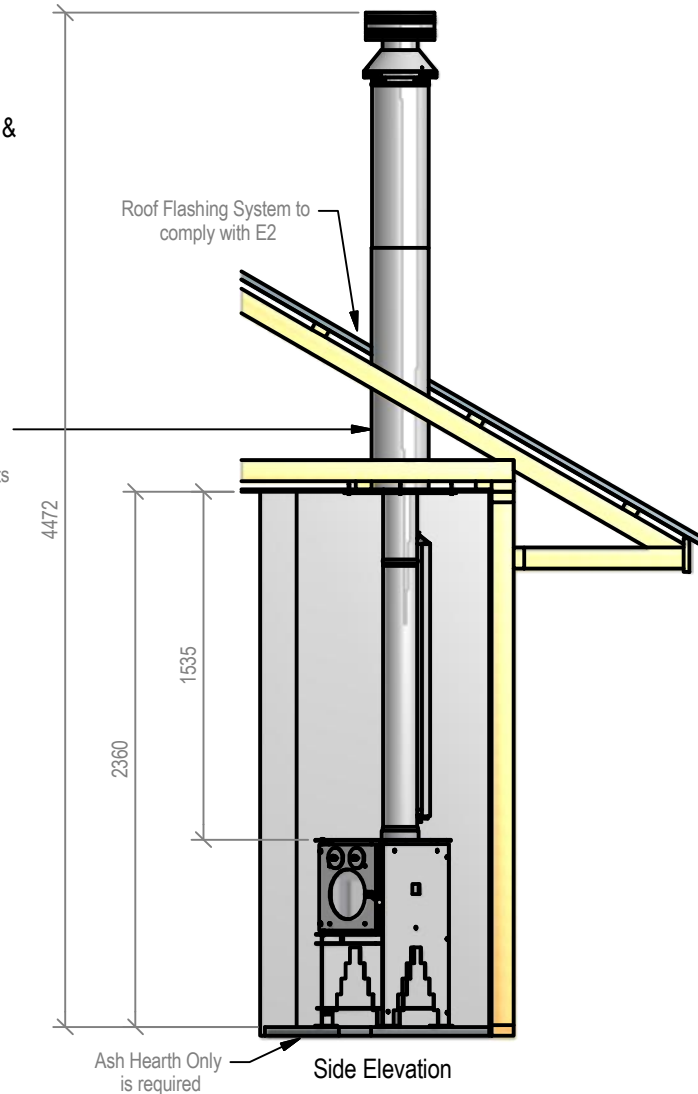
For Specification See: [www.warmington.co.nz](http://www.warmington.co.nz)

Copyright ©

Warmington Oh - Ah Fire & Warmington 3.6m Fluekit



Front Elevation



Side Elevation

See Specifications for required Bracing/Frameout for Warmington Freestanding Fluekits

<b>Warmington Industries Ltd.</b>	
PH: 09 273 9227 FAX: 09 273 9241 WEB: <a href="http://www.warmington.co.nz">www.warmington.co.nz</a>	
TITLE	OH-AH FIRE - CORNER - SITUATION 2
DRAWN	BRYCE
DATE	26/04/11
SCALE	REVISION