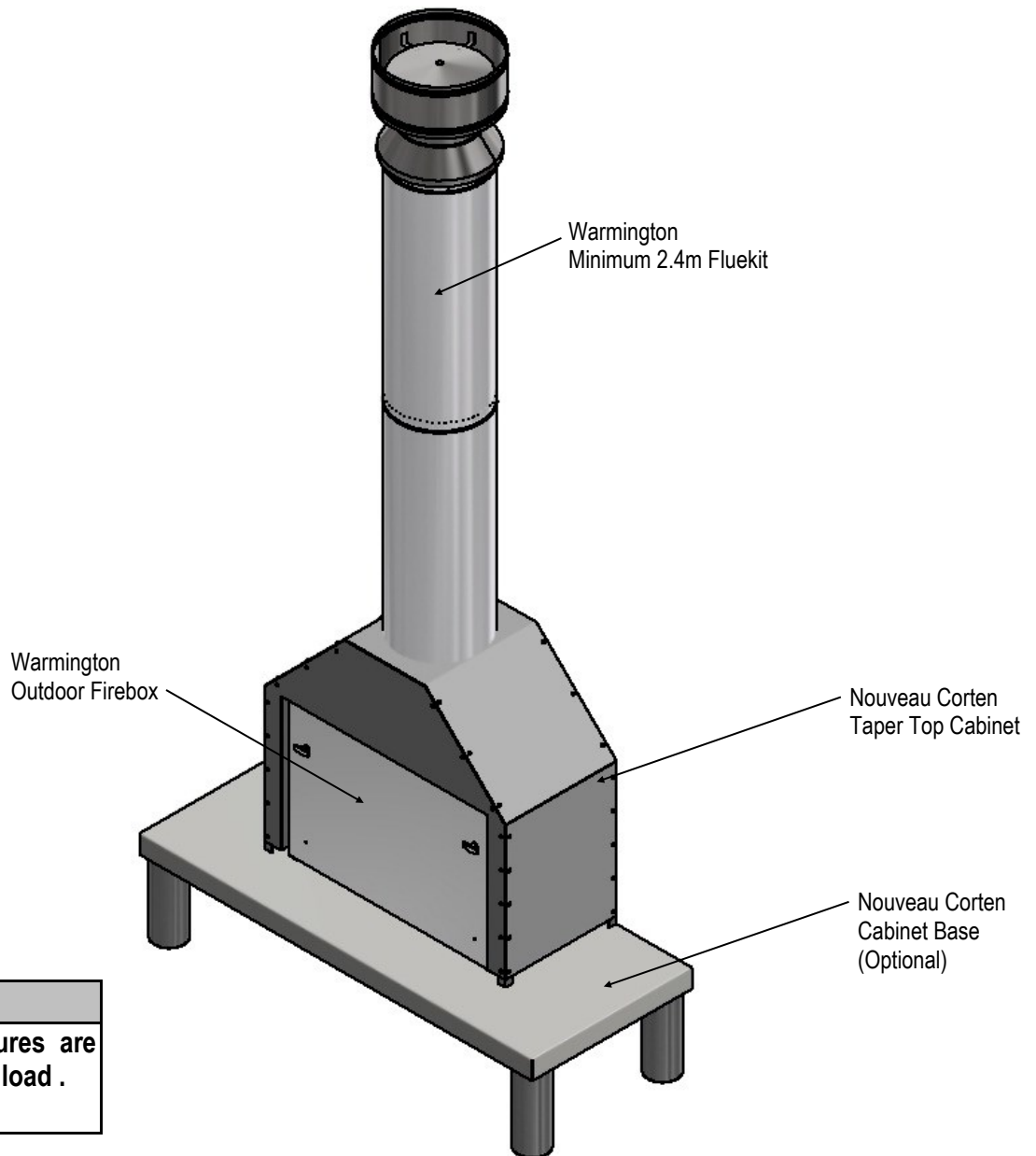


# *Nouveau Corten Taper Top 900-1100-1250-1500*

## Outdoor Cooking Fire Corten Square Cabinet—Wood Burner Clearance details



**Important Note :**  
All Load Bearing Structures are to be Engineered to carry load .

**Visit [www.warmington.co.nz](http://www.warmington.co.nz) for Spec's, DWG's and PDF uploads of Fires**

### **Fire, Flue System and Instructions to Comply with ASNZS 2918:2001**

Keep these Instructions for further reference.....Ensure that you have the correct and current Installation details for the Warmington Fire

#### **Installation**

The Warmington unit is to be Installed by a Certified Warmington Installer or an Approved NZHHA Installation Technician .  
See [www.homeheat.co.nz/members](http://www.homeheat.co.nz/members) for a Certified NZHHA SFAIT Installer in your area .

#### **IMPORTANT**

Read all the Instructions carefully before commencing the Installation. Failure to follow these Instructions may result in a Fire Hazard and void the warranty .

## POINTS TO CONSIDER PRIOR TO INSTALLATION

Location of the fire. Open fires are better located at one end of a room or area, as they project the heat away from their opening.

### Venting to the cavity.

This air is to allow the cavity to vent the warm air. This warm air helps keep the fire and flue system from getting to cold. If the flue and fire get to cold the system may soot often and require cleaning. Each fire has different ways of venting the cavity.

### The Topography of the land .

The slope and position of the land in relation to the home has a bearing on how the wind will interact with the fire and flue system. Care needs to be taken to ensure that the flue termination is in the correct position to maximise performance.

### The prevailing wind.

Care needs to be taken to ensure that the flue termination is in the correct position as wind and gusts that hits the flue and cowl system may overcome the cowl and draft back down the flue into the home. This can be a combination of down draft and high pressure.

### Hearth and plinth:

The height of the hearth off the floor. The finishing that is to be used on the hearth is to be allowed for at the design stage.

### Positioning of the Flue system:

There is a maximum distance that an offset flue can be installed. Reference to AS/NZS : 2918

### Flue And Fire Clearance:

To be maintained to the manufactures Instructions.

### Installation Notes:

**A rebate of 40mm is recommended from the front face of the surround to the front of the fire to reduce the ingress of water into the fire.**

Due to the expansion and contraction of metal fireplaces a 3mm gap between the flange and the finished surround should be maintained.

## INSTALLATION ORDER OF OPERATIONS

### Prior to Construction and Installation Important Notes:

Install to AS/NZS 2918:2001.

Install to manufacture's specifications.

All new installations require a permit.

For special requirements concerning materials (timber mantle and surrounds) within close proximity of Warmington products, please contact your local Warmington Technical Consultant.

### **Stage 1: Frame Construction Procedure by Builder.**

Mark out flue centre.

Mark out heat cell clearance requirements.

Construct Plinth only, to required height. \*

### **Stage 2: Install Procedure by Certified "Warmington Installer" only.**

Fit Fire to Plinth.

Fit Adaptor to Firebox.

Construct Hebel Enclosure around Nouveau Firebox. (Ensure a 40mm rebate to form a Drip Edge).

Fit Flue System.

Fit Cowl and Flashing System .

### **Stage 3: Finishing Procedure by Builder.**

Construct Hearth to required Thickness. \*

Finish Hebel Enclosure and Hearth to Customers requirements (e.g. paint / tiles ).

Close in Hebel Enclosure and Chimney Chase . ( If in Timber Alcove ).

\* Note: Certified NZHHA SFAIT Installer can also Install Hearth and Plinth .

**Ensure that the Warmington and flue system is swept annually or more frequently if required.**

### **To Sweep Flue and Firebox:**

Cover Front of Fire with sheets.

Remove Cowl from top of chimney.

Sweep from the top, down the flue.

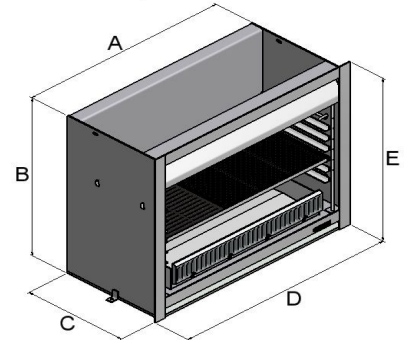
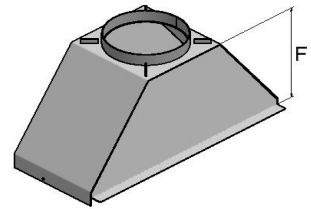
Remove all soot and ash.

Ensure Cowl and Bird Protection is clean and replaced.

Visually Inspect Fireplace and Flue System .

**WARMINGTON NOVEAU FIREBOX DIMENSIONS**

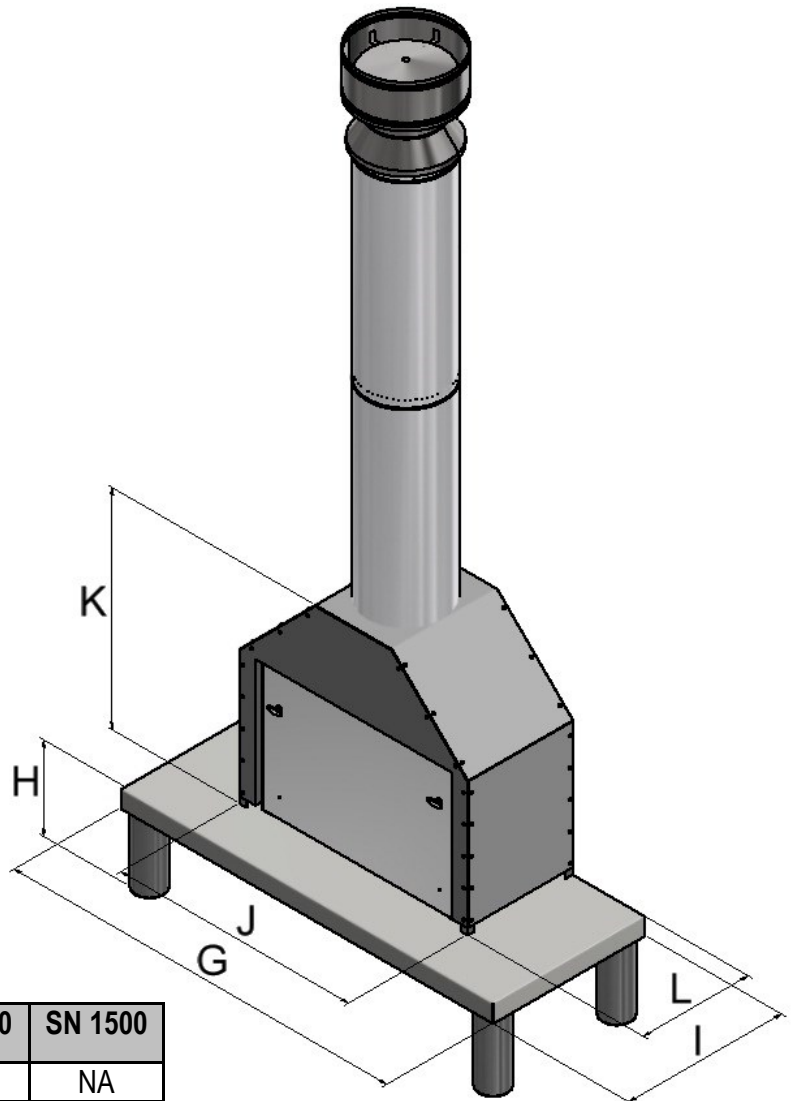
Description		SN 900	SN 1100	SN 1250	SN 1500
Firebox Width	<b>A</b>	900	1100	1250	1500
Firebox Height	<b>B</b>	760	760	910	910
Firebox Depth	<b>C</b>	450	450	600	600
Flange Width	<b>D</b>	950	1150	1300	1550
Flange Height	<b>E</b>	785	785	935	935
Adaptor Height	<b>F</b>	425	425	480	480



Minimum Flue Height	
Flue Height	2400
Measured From Top of Adaptor	B + F + 2400

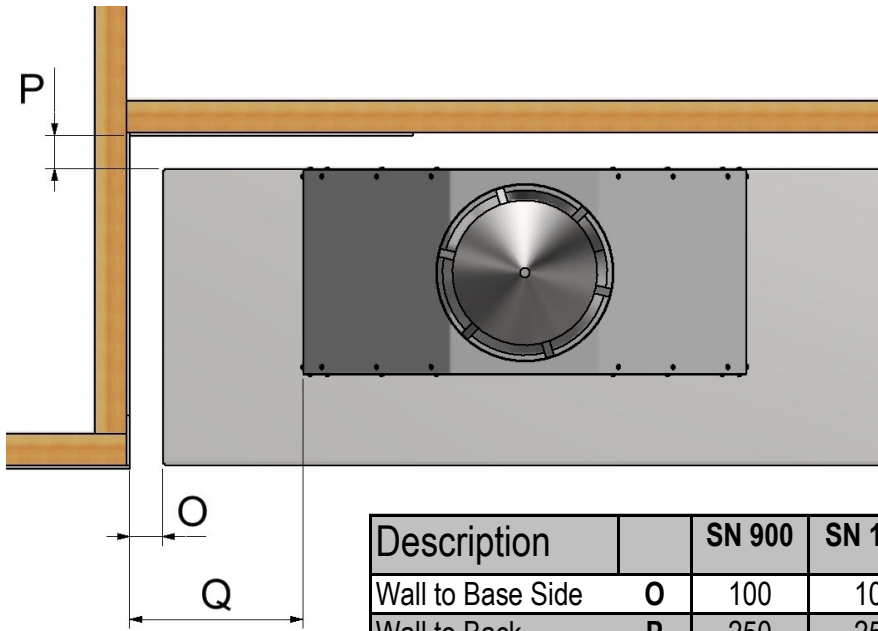
**CORTEN SURROUND DETAILS DIMENSIONS**

Check List	
Firebox	
Ash Pan	
Rack/Hotplate & Grill	
Weather Shield	
Badge	
Adaptor & Bolts	
Davit Rods	
Packed by	



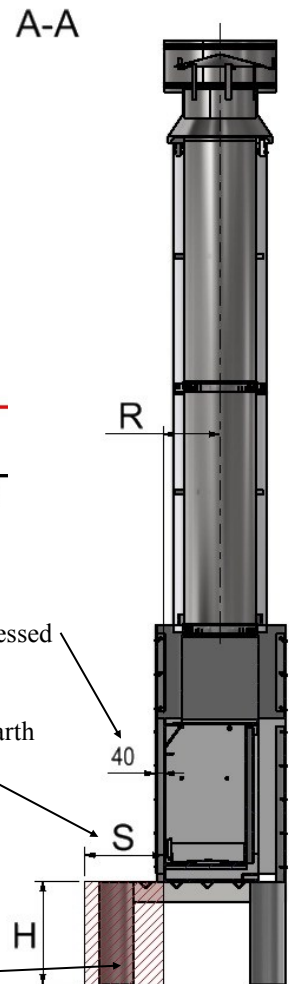
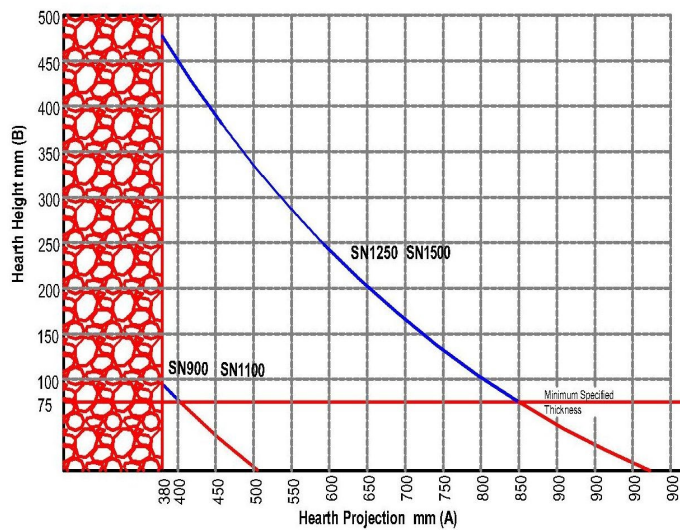
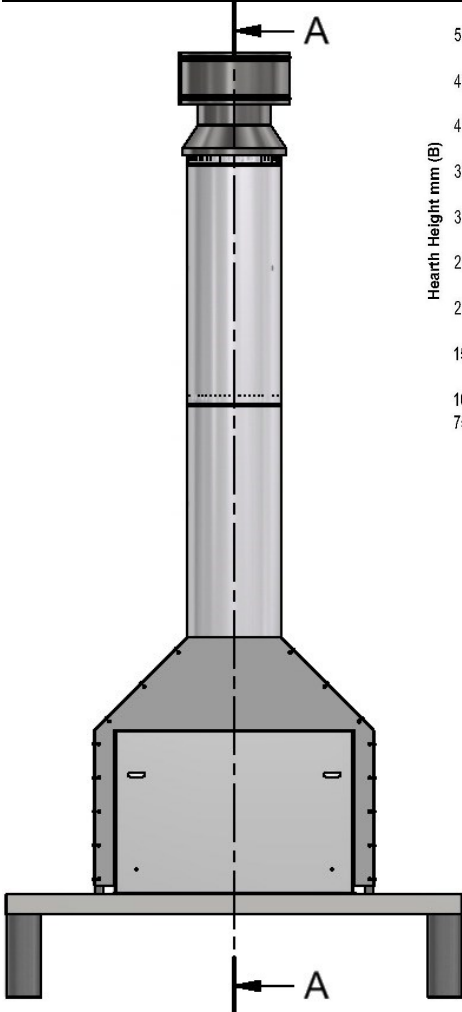
Description		SN 900	SN 1100	SN 1250	SN 1500
Base Width	<b>G</b>	2000	2200	NA	NA
Base Height	<b>H</b>	500	500	NA	NA
Base Depth	<b>I</b>	900	900	NA	NA
Cabinet Width	<b>J</b>	1150	1350	1500	1750
Cabinet Height	<b>K</b>	1238	1238	1443	1443
Cabinet Depth	<b>L</b>	625	625	775	775
Flue Diameter	<b>M</b>	300	350	350	450
Liner Diameter	<b>N</b>	400	450	450	550

**MINIMUM WALL CLEARANCE**



Description		SN 900	SN 1100	SN 1250	SN 1500
Wall to Base Side	O	100	100	NA	NA
Wall to Back	P	250	250	250	250
Wall to Cabinet Side	Q	405	405	405	405
Flue Centre	R	272	272	408	347
Hearth Projection	S	380	380	850	850

**MINIMUM HEARTH**



Due to continued product improvement, Warmington Ind LTD reserves the right to change product specifications without prior noti-

**GENERAL NOTES : ASNZS 2918 : 2001****NOTES:**

- Fire operating and maintenance instructions can be downloaded from the **Warmington** website.
- Warranty - for full details on product warranties, contact your local Authorised **Warmington** Retailer.
- Correct installation, operation and maintenance must be maintained to comply with the **Warmington** Warranty.
- The Appliance and Flue System must be installed in accordance with ASNZS2918:2001 and the appropriate Building codes.
- The flue system and fireplace is to be swept annually or more frequently if required.

**IMPORTANT NOTE : TREATMENT OF COOKING SURFACES BEFORE USE****BURN OFF:**

- Before cooking on the plate or grill for the first time , burn off any residual oils or foreign matter by lighting or igniting the fire or burner.
- ENSURE THAT THE OUTDOOR FIRE IS WELL VENTILATED WHEN LIGHTING FOR THE FIRST TIME, and operate fire on high for up to 5 minutes.
- Cooking may proceed after the surface has been carefully wiped down with a cloth or paper towel.

**PREHEATING:**

- It is necessary to preheat for a short time before cooking certain foods , depending on the type of food & the cooking temperature.

**AFTER USE:**

- Do NOT cool or put out the fire after use with water. This will damage the grate and ash pan, cause rust and could be harmful to people standing close by the fireplace.

**WARNINGS:**

- **WARNING: ANY MODIFICATION OF THE APPLIANCE THAT HAS NOT BEEN APPROVED IN WRITING BY THE TESTING AUTHORITY IS CONSIDERED AS BREACHING AS/NZS 4013.**
- **WARNING: DO NOT USE FLAMMABLE LIQUIDS OR AEROSOLS TO START OR REKINDLE THE FIRE**
- **WARNING: DO NOT USE FLAMMABLE LIQUIDS OR AEROSOLS IN THE VICINITY OF THIS APPLIANCE WHEN IT IS OPERATING**
- **WARNING: DO NOT STORE FUEL WITHIN HEATER INSTALLATION CLEARANCES**
- **WARNING: WHEN OPERATION THIS APPLIANCE AS AN OPEN FIRE USE A SPARKGUARD.**
- **CAUTION: THIS APPLIANCE SHOULD BE MAINTAINED AND OPERATED AT ALL TIMES IN ACCORDANCE WITH THESE INSTRUCTIONS**
- **CAUTION: THE USE OF SOME TYPES OF PRESERVATIVE-TREATED WOOD AS A FUEL CAN BE HAZARDOUS.**

**NOTE: For Operating Instruction download from the website**

[www.warmington.co.nz](http://www.warmington.co.nz)



**Industries 1994 LTD**  
**PO Box 58652, Botany 2163, Auckland**  
[www.warmington.co.nz](http://www.warmington.co.nz)