

Warmington

Outdoor Nouveau and Pizzeria Wood Fires by Warmington

If you enjoy cooking great barbeque food and love entertaining outside, then a Warmington outdoor fire will give you all that and more!

The new Pizzeria option is great for cooking delicious pizzas and bread in just minutes, as well as traditional barbeque food, and the fire will keep you warm well past the summer months.

Features & Benefits:

- Cooking facility including pizza oven, bbq hot plate and grill.
- Stainless steel weathershield to protect the firebox.
- Proudly designed and made in New Zealand.
- Available in wood, gas, and stainless steel option.
- Accessories include rotisserie, 'hell rotisserie' (for whole or large pieces of meat) and davit handle to allow cooking with a pot over open flames.

Sizes: 900—1100—1250—1500—1800 and 2000





The Nouveau Outdoor Fire and Pizza Oven comes complete with a steel firebox, hot plate and grill, and stainless steel weather shield. To make your alfresco dining even better, you can add on any of these great accessories:



Hell Rotisserie



Gas Rail Burner or Gas flare



Rotisserie



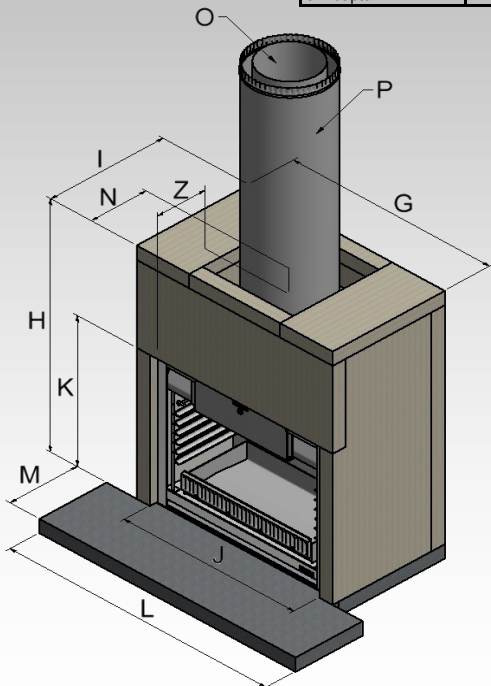
Davit Handle



Pizza Peel

Note: Full Installation Specifications and Maintenance Instructions are available from your local Agent, or from the Warmington website: www.warmington.co.nz

Minimum Flue Height	
Flue Height	2400
Measured From Top of Adaptor	B + F + 2400



WARMINGTON NOUVEAU FIREBOX DIMENSIONS

Description		SN 900	SN 1100	SN 1250	SN 1500	SN1800	SN2000
Firebox Width	A	900	1100	1250	1500	1800	2000
Firebox Height	B	760	760	910	910	910	910
Firebox Depth	C	450	450	600	600	600	600
Flange Width	D	950	1150	1300	1550	1850	2050
Flange Height	E	785	785	935	935	935	935
Adaptor Height	F	425	425	480	480	480	480
Pizza Oven Width	AA	470	470	470	470	N/A	N/A
Pizza Oven Height	BB	61	61	129	129	N/A	N/A
Pizza Oven Depth	CC	311	311	311	311	N/A	N/A

HEBEL SURROUND DETAIL DIMENSIONS

Description		SN 900	SN 1100	SN 1250	SN 1500	SN1800	SN2000
Surround Width	G	1110	1310	1460	1710	2010	2210
Surround Height	H	1325	1325	1640	1640	1640	1690
Surround Depth	I	635	660	770	770	770	770
Window Width	J	960	1160	1310	1560	1860	2060
Window Height	K	790	790	940	940	940	940
*To Centre of Flue	N	312	312	448	*	*	*
*Flue Diameter	O	300	350	350	*	*	*
*Liner Diameter	P	400	450	450	*	*	*
*Flue Centre	Z	272	272	408	*	*	*

* It is important to check specifications for single or twin flue models.

Available from Authorised Agents Nationwide, or Phone: 09 271 0891 for more information.



www.warmington.co.nz