



## floor protectors - fits most freestanding fires



Warmington have a range of ash hearths made from stainless steel in black steel, stainless or alloy finish, which are quick and easy to install.

The hearths can be laid directly onto carpet or wooden floors, and protect the floor against heat, spilt ash and hot embers.

### Features and Benefits:

- Straight or corner options.
- Easy to install.
- Designed and manufactured in New Zealand
- Stainless steel 3mm thick, slim-line
- Various sizes available.





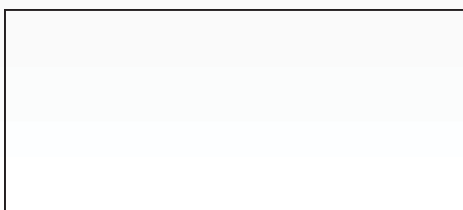
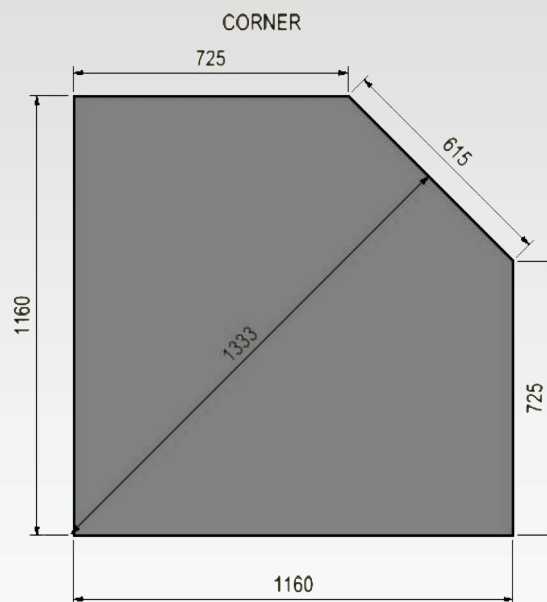
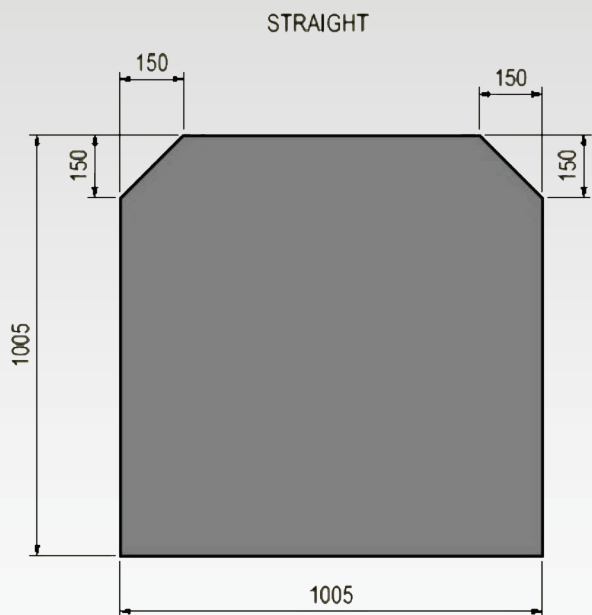
Floor protectors are required when installing a free-standing fire onto any combustible surface.

They are used to prevent embers and hot ash causing damage to wooden floors and carpets.



Available in both corner and straight options, with a range of sizes to suit most installations.

THE DETAILS BELOW ARE A GUIDE ONLY AND NOT TO BE USED FOR INSTALLATION:



Available from Authorised Agents Nationwide, or phone: 09 271 0891 for more information.



[www.warmington.co.nz](http://www.warmington.co.nz)