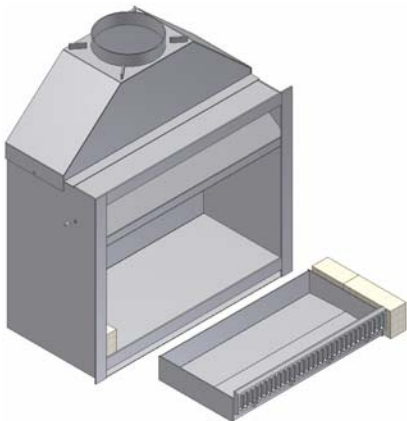


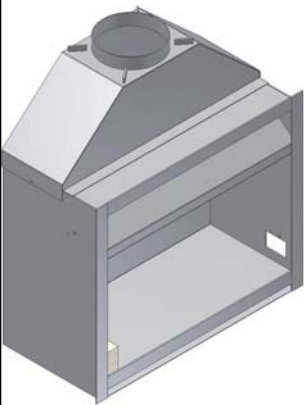
Fitment of Rail Burner into Warmington Open Fire

STEP 1

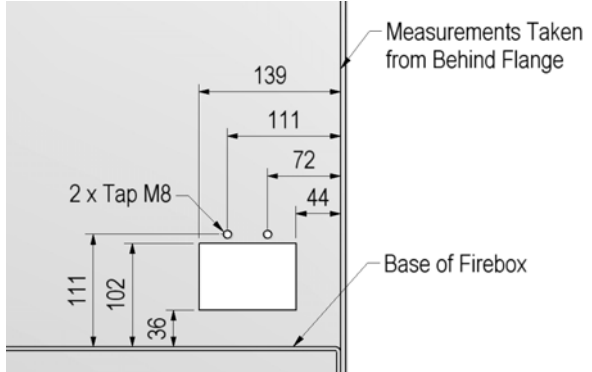


Remove Ash Pan & Front & Back Bricks from Firebox

STEP 2



HOLE LAYOUT FOR RAIL BURNER



Cut Out Holes and Square to Fit Rail Burner - See Hole Layout

STEP 3

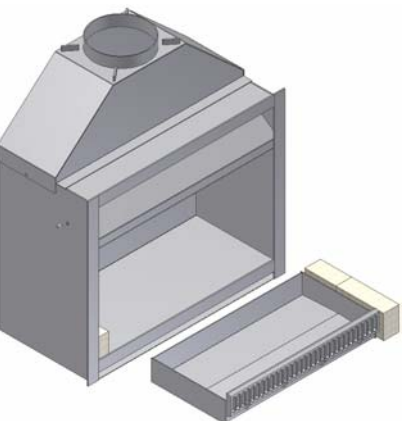
Put Ash Pan & Back Brick In Firebox

STEP 4

Fit Gas Rail Burner into Firebox

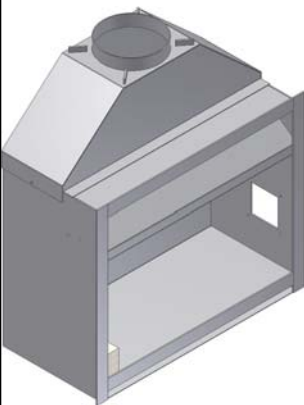
Fitment of Gas Flare into Warmington Open Fire

STEP 1

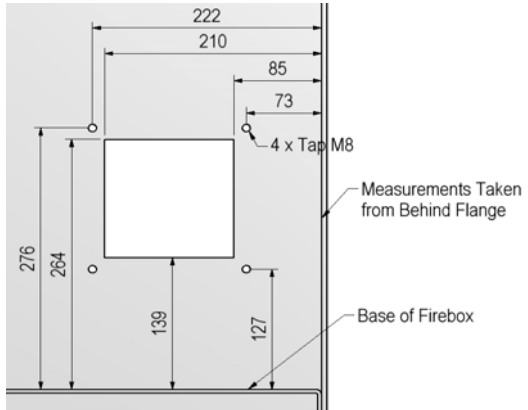


Remove Ash Pan & Bricks from Firebox

STEP 2



HOLE LAYOUT FOR FLARE BURNER



Cut Out Holes and Square to Fit Gas Flare - See Hole Layout

STEP 3

Put Ash Pan & Bricks Back In Firebox

STEP 4

Fit Gas Flare into Firebox

Due to continued product improvement, Warmington Ind LTD reserves the right to change product specifications without prior notification.