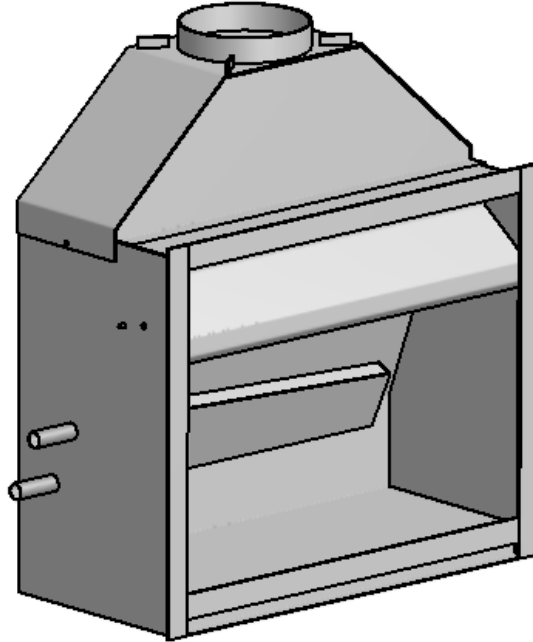


WETBACK SPECIFICATIONS

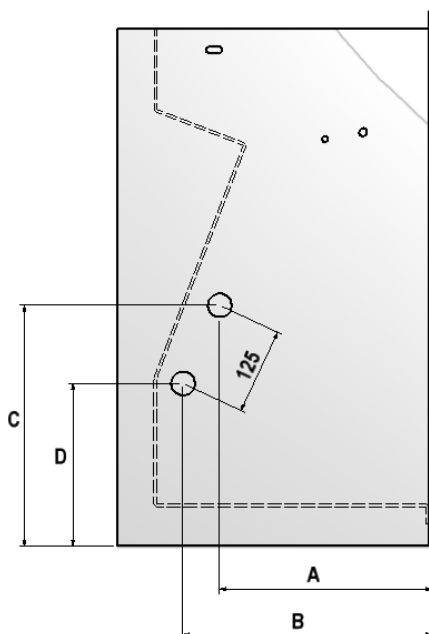
Warmington SI Open Fire Wetbacks

Position of Wetback Pipes



NOTE: All Wetbacks are Positioned on the **Left Hand Side** looking at the Fire from the Front on , unless otherwise Specified on Purchase .

WETBACK PIPE POSITIONS



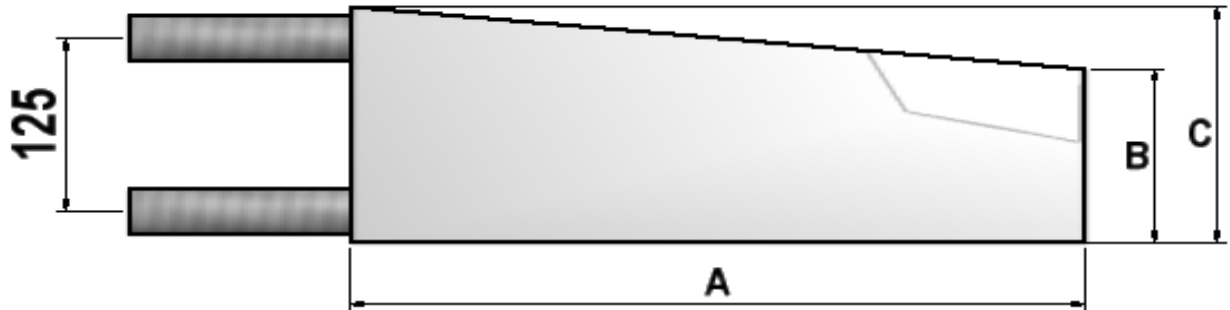
SI Open Fire Sizes	A	B	C	D
SI 600	250	320	344	240
SI 700	250	320	344	240
SI 700T	265	320	352	240
SI 780	250	320	344	240
SI 780T	264	315	354	240
SI 900	307	360	354	240
SI 1100	357	410	354	240

NOTE: All Measurements in mm & taken from Front of Flange

WETBACK SPECIFICATIONS

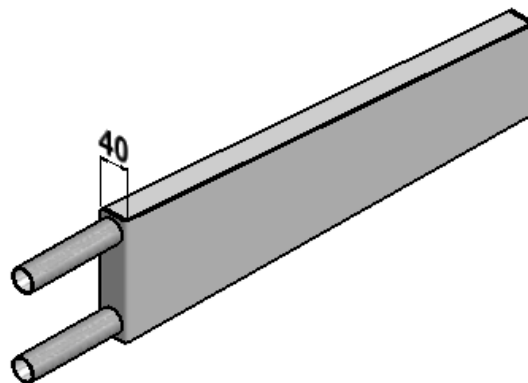
Warmington Open Fire Wetbacks

OPEN FIRE WETBACK DETAIL



Open Fire Wetback Sizes	A	B	C
SI 600 —700— 700T	465	125	170
SI 780 — 780T	642	125	170
SI 900 — 1100	765	125	170

All Open Fire Wetbacks are 40mm in Thickness .

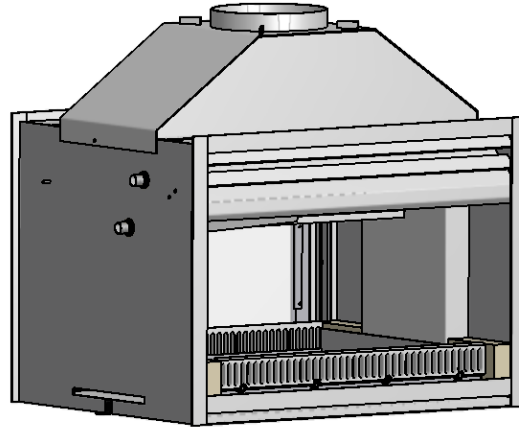


NOTE: All Open Fire Wetbacks made from Duplex 2205 Stainless Steel .

WETBACK SPECIFICATIONS

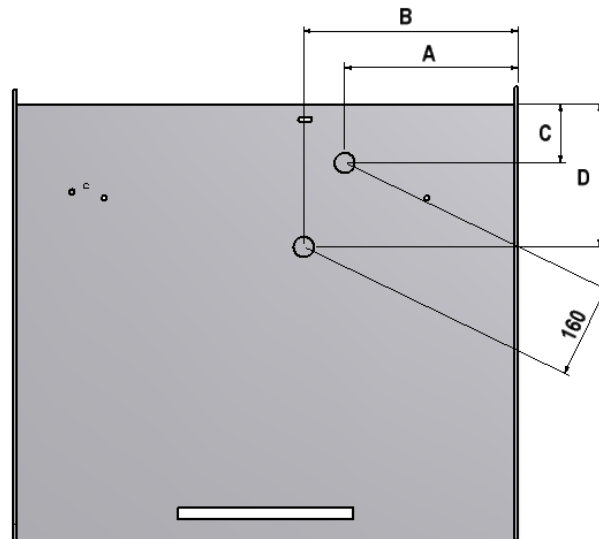
Warmington SI Twin Open Fire Wetbacks

Position of Twin Wetback Pipes



NOTE: All Wetbacks are Positioned on the **Left Hand Side** looking at the Fire from the Front on , unless otherwise Specified on Purchase .

WETBACK PIPE POSITIONS



Twin Open Fire Wetback Size	A	B	C	D
SI 780 Twin	210	299	111	244
SI 780T Twin	210	299	111	244
SI 900 Twin	295	365	111	255
SI 1100 Twin	320	390	111	255

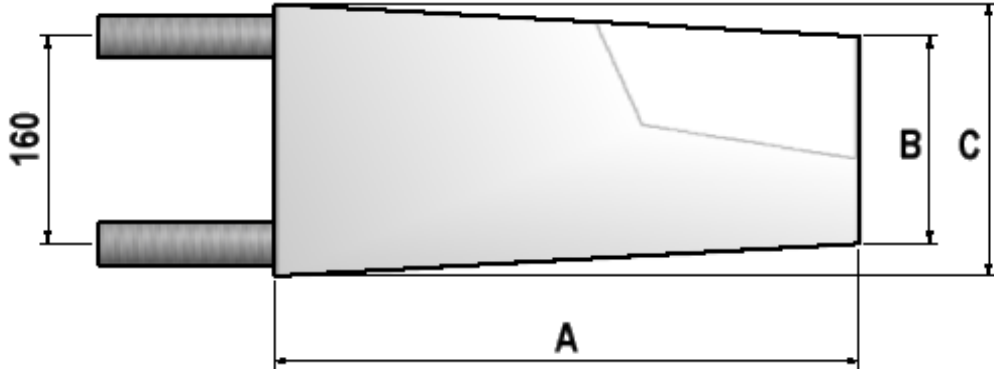
NOTE: All Measurements in mm & taken from Front of Flange

Due to continued product improvement, Warmington Ind LTD reserves the right to change product specifications without prior notification.

WETBACK SPECIFICATIONS

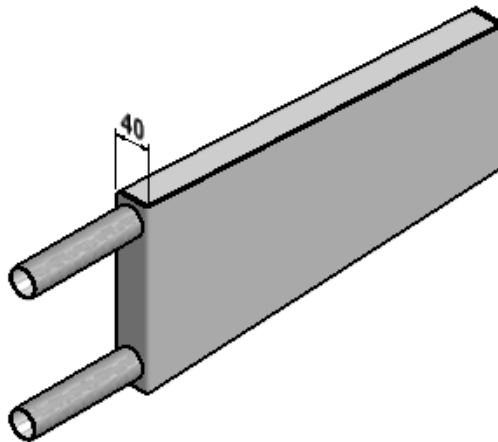
Warmington Open Fire Wetbacks

TWIN OPEN FIRE WETBACK DETAIL



Open Fire Twin Wetback Sizes	A	B	C
SI 780—780T—900 — 1100 Twin	465	160	210

All Twin Open Fire Wetbacks are 40mm in Thickness .



NOTE: All Open Fire Wetbacks made from Duplex 2205 Stainless Steel .