

# Studio, Oven & OH-AH Door Glass Fitment

Visit [www.warmington.co.nz](http://www.warmington.co.nz) for Spec's, DWG's and PDF uploads of fires

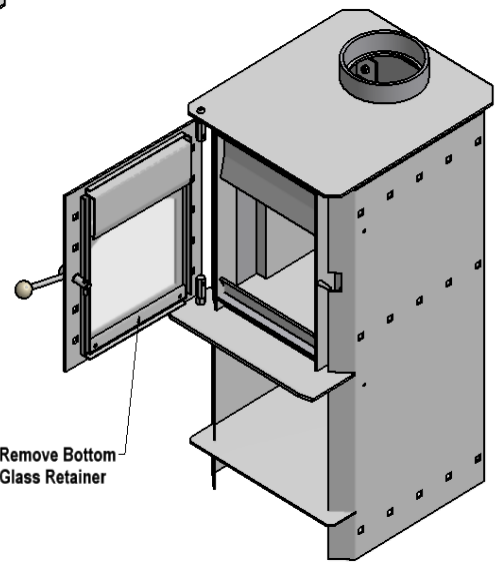
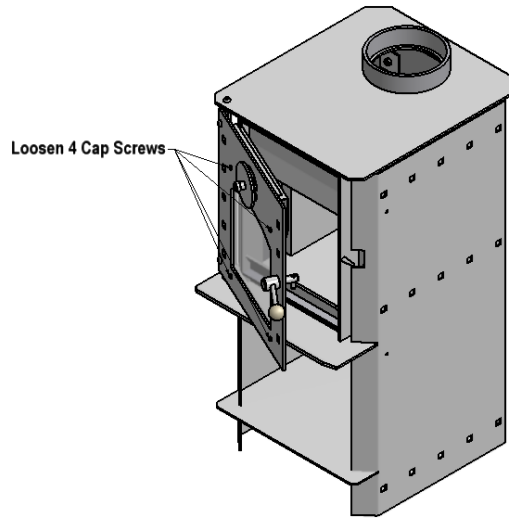
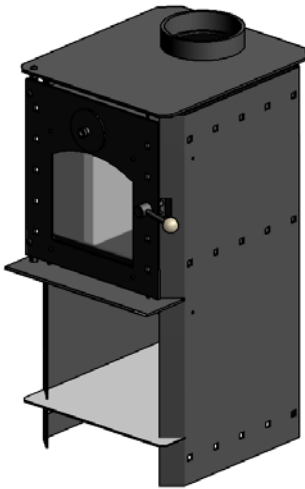
**NOTE: Door Glass is not covered by Warranty**

**No : 1**

The Studio Door glass is a special heat resistance glass designed for use in fires.

**No : 2**

The glass can be replaced with the door still fitted to the fire. Loosen the 4 Cap screws on the front of the door that retain the glass and remove the **bottom** glass retainer only. Take care not to remove top retainers as they are difficult to locate.



Parts (Supplied)	
Warmington Studio Door Glass	1X

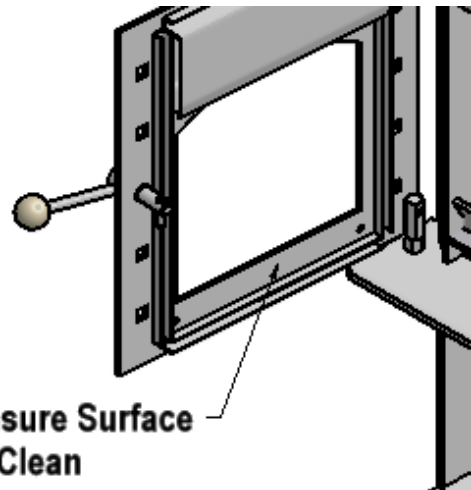
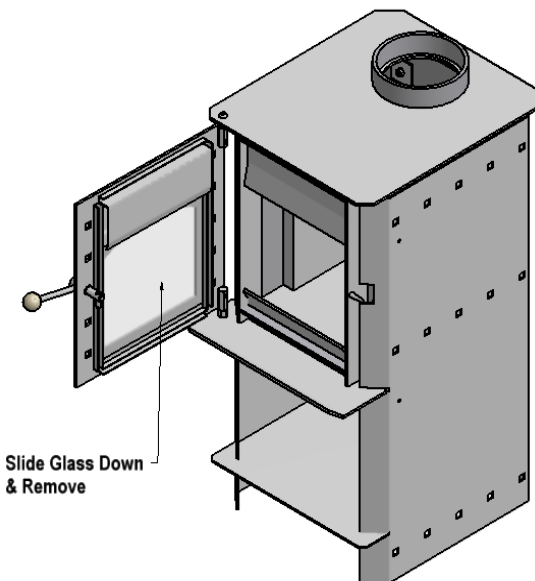
Tools (not Supplied)	
3mm Allen Key	1X
Flat Head Screw Driver	1X

**No : 3**

Slide the glass down towards the bottom glass retainer and remove the glass and any shards. May need to Spring the Air Dam with the flat head screw driver.

**No : 4**

Ensure that both glass & door surfaces are clean and true .

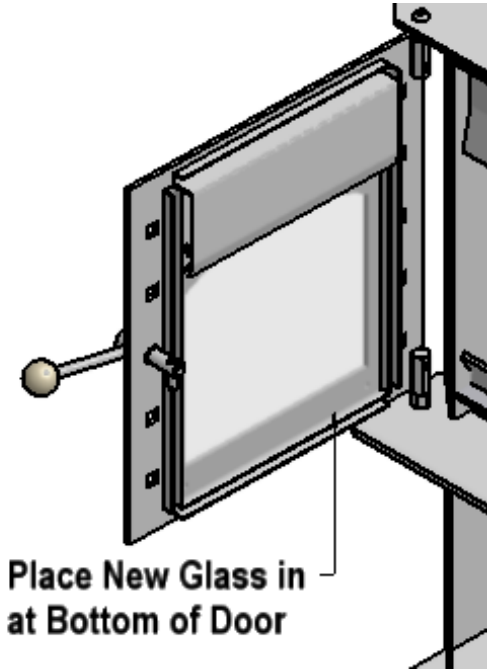


**No : 5**

Place the new glass into the door at the bottom.

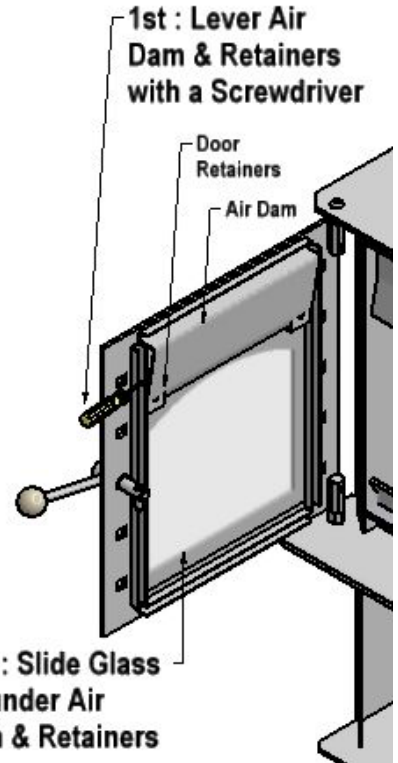
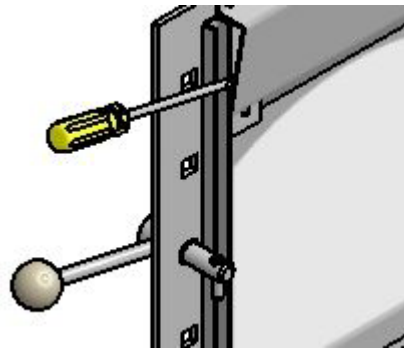
**No : 6**

With a Flat Head screw driver, hook under the side of the air dam and lever the top door retainer up, at the same time slide the glass up and under the top door retainer. Repeat for the other side. Release the air dam gently so as not to break the glass.



**NOTE :**

Take Care not to Break Glass .



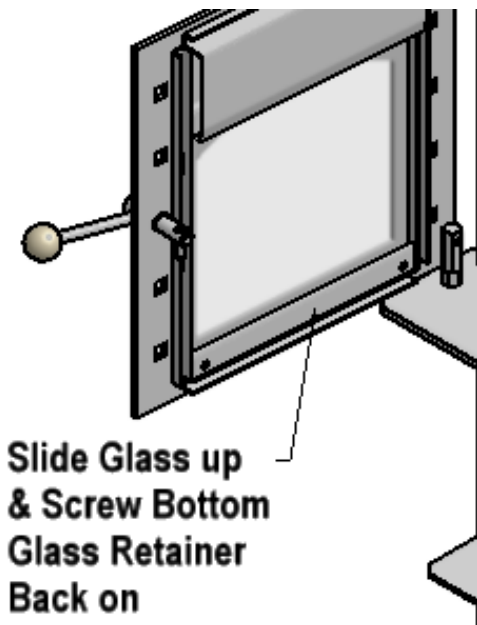
**No : 7**

Slide the glass up and into position, ensure that the bottom Glass retainer holes are clear to take the cap screws. Fit the bottom glass retainer.

**No : 8**

**IMPORTANT NOTE :**

**Nip up the cap screws for the Top and Bottom glass retainers. DO NOT OVER TIGHTEN AS GLASS MAY CRACK/BREAK .**



**Tighten 4 Screws ; DO NOT OVER TIGHTEN .**

