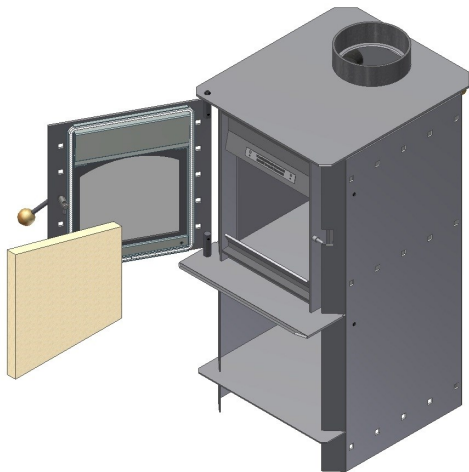


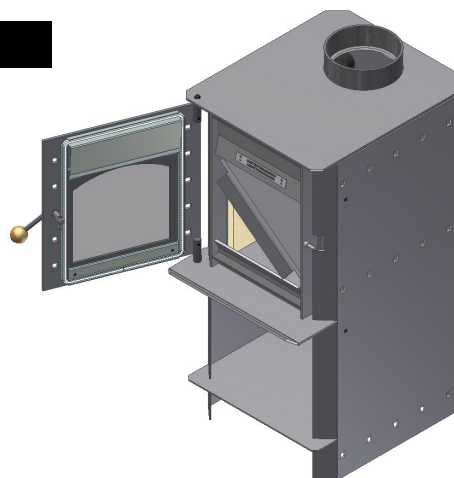
## FITMENT OF VERMICULITE BACK AND SIDES PANELS & BAFFLE ASSEMBLY (Clean air 2014 model)

### STEP : 1



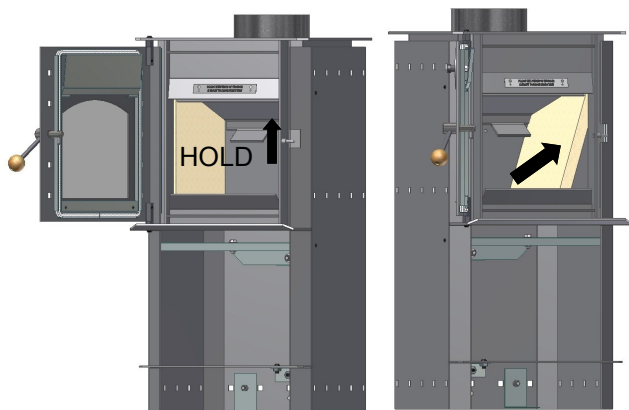
Place one vermiculite board side brick into the Firebox as shown above.

### STEP : 2



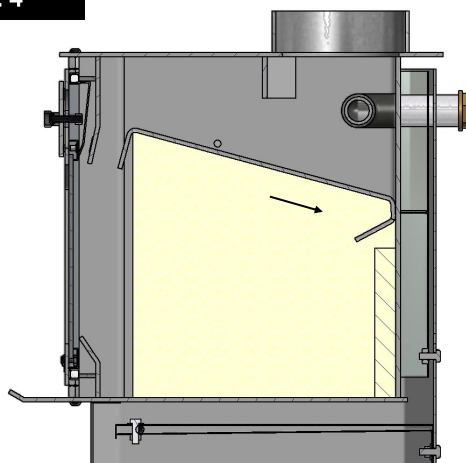
Put the steel baffle in on an angle through the door frame. Lift it up holding it horizontally resting on the one side bricks.

### STEP : 3



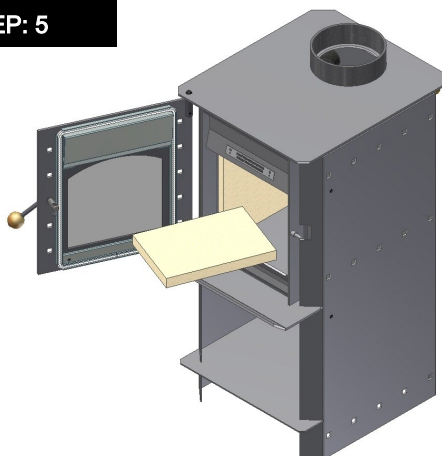
While holding up the steel baffle horizontally, insert the opposite side brick in from underneath it, as shown above. The 2 side bricks will now support the steel baffle.

### STEP : 4



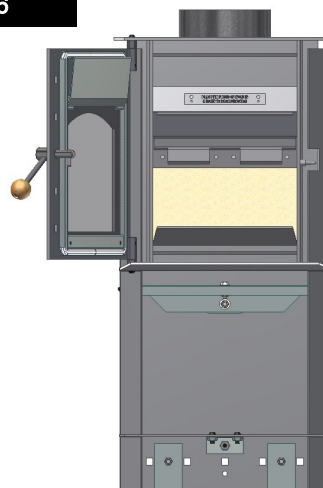
Push the baffle right to the back of firebox.

### STEP: 5



Fit back vermiculite board panel into the firebox back, ensuring that it is sitting hard against the back of the firebox.

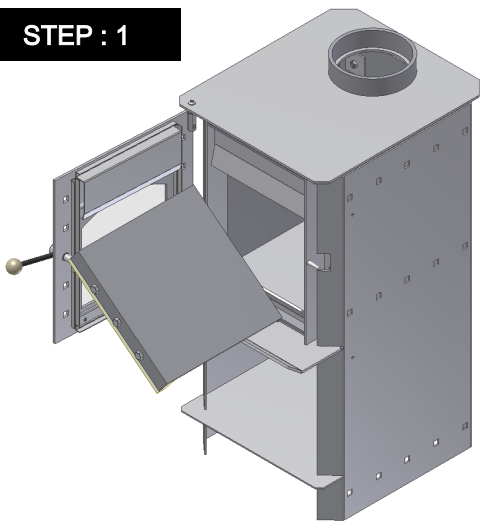
### STEP: 6



Once the vermiculite board back is in place, ensure jet inlet holes on the back plate are clear of any obstructions.

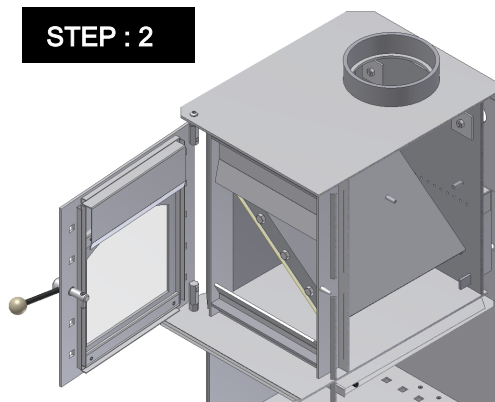
## FITMENT AND REMOVAL OF BAFFLE - (Clean Air Model from 2005—2014)

**STEP : 1**



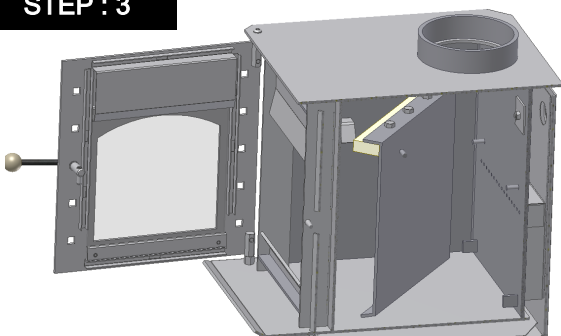
Remove ash & Studio bricks

**STEP : 2**



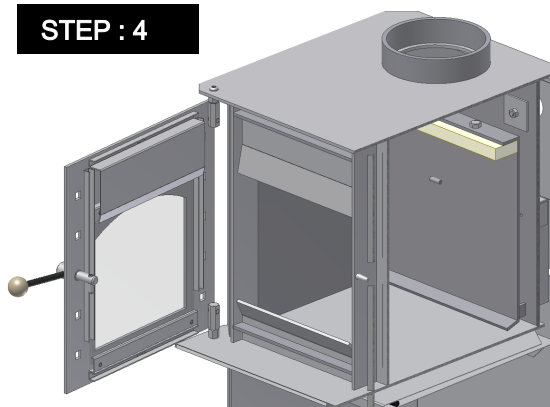
Tilt Studio baffle on an angle & slide in through door frame

**STEP : 3**



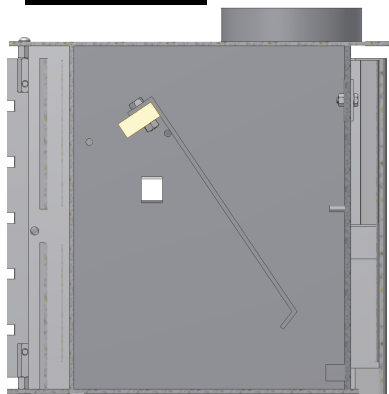
Rotate Bbffe 90 degrees

**STEP : 4**



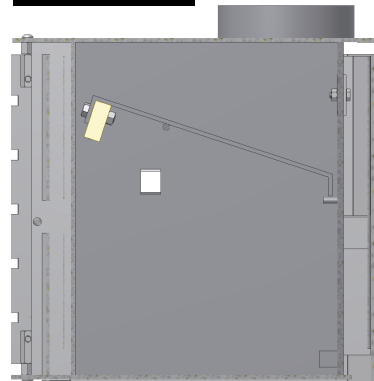
Push baffle right to the back of firebox

**STEP : 5**



Move baffle forward to sit on pins

**STEP : 6**



Move the back of the baffle up to sit on the pins at the back of the firebox